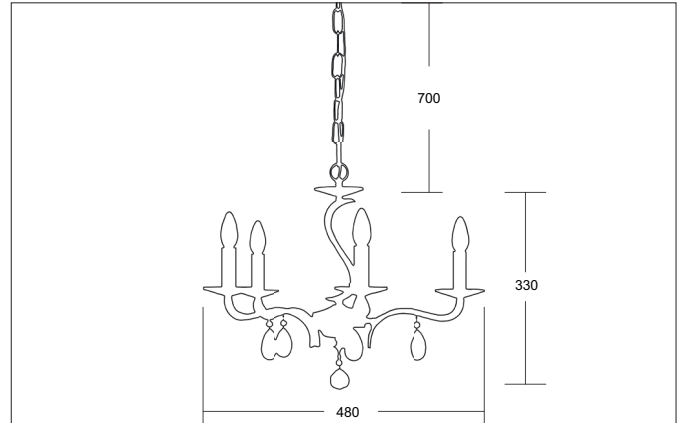


**CHIARA Pendant light shiny chrome, with crystals**  
 Article no. 850624

**Tender**

Pendant light, glossy chrome, with crystals, glossy chrome, other. Compact design for harmonious implementation in harmonious, architectural room concepts. Surface-mounted pendant light, with crystals. Version: E14, Mounting type: Surface-mounted, Mounting location: Ceiling-mounted, Material: Cast brass / crystal, Protection rating on room side: to DIN EN 60529: IP20, Protection class: (EN 61140) I, Voltage: 230V AC 50Hz, Power: 40 W, Number of bulbs / sockets: 4, without control gear, Type of dimming: other.

Article data	
Article no.	850624
GTIN	4250047755999
Series name	CHIARA
Short description	Pendant light shiny chrome, with crystals
Material	Cast Brass / Crystal
Colour	Chrome
Type of surface	Glossy
Shape	Other
Outer diameter	480 mm
Height	330 mm
Scope of delivery	incl. 700 mm chain and canopy
Weight	3.400 kg
Conformance	CE, UKCA

**CHIARA Pendant light shiny chrome, with crystals**

Article no. 850624

Operating technology of the luminaire	
Voltage type	AC
AC nominal voltage max	230 V
Frequency max	50 Hz
Lamp	Incandescent lamp
Lamp holder	E14
Protection class	I
Degree of protection	IP20
Control	Other
Bulb change possible	Yes
Energy efficiency class	nicht erforderlich

Mounting technology	
Mounting method	Surface mounting
Place of installation	Ceiling-mounted
Adjustability	Not adjustable
Pendulum length min.	100 mm
Pendulum length max.	700 mm
Material cover	Without cover

Packing data	
Gross weight	4.75 kg
Length of packaging	530 mm
Packaging width	530 mm
Packaging height	530 mm
Disposal at end of life	<p>This product must not be disposed of with household waste. You are obliged, to dispose of such electrical waste separately.</p> <p>By disposing of electrical waste and other old or defective electronics separately, you support recycling or other forms of re-use. In that way you help to take care and to avoid that harmful substances get into the environment.</p>