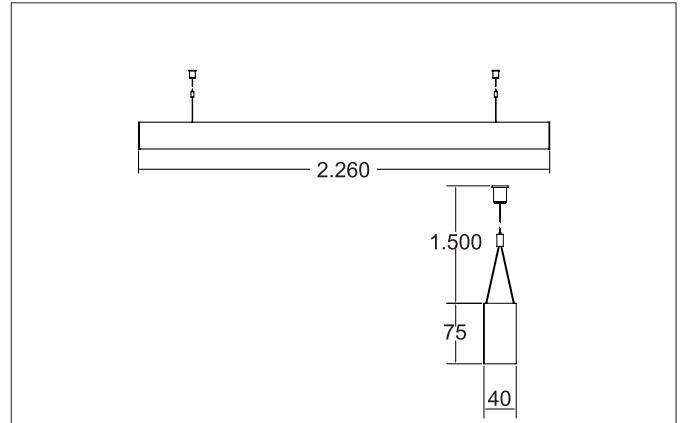




BIRO40 2.0 LED pendant profile luminaire direct/indirect

Article no. 7432265032



Tender

LED pendant profile luminaire direct/indirect, Rectangular. Luminaire length 2260.0 mm, Luminaire width 40.0 mm, Height 75.0 mm, for pendulum mounting. Pendulum length max. 1500.0 mm Weight 4.07 kg, with rotationssymmetrical, deep, wide distributed light intensity. Cover plastic, microprismatic. Luminous flux 7.519 - 7.785 lm, UGR < 19, Power 56 W, Light colour warm white to daylight white, Correlated color temprature (CCT) 2.700 - 6.500 K, Colour rendering index CRI > 90, Rated life time L80/B50 at 25 °C: 113.000 h, Housing material: Aluminium / Steel / Plastic, Colour: silver structure, Permissible ambient temperature (ta): -20 °C - +25 °C, Protection class (EN 61140): I, Degree of protection (DIN EN 60529): IP20. With electronic driver, DALI-DT8 dimmable.

Article data	
Article no.	7432265032
GTIN	4255752517276
Series name	BIRO40 2.0
Short description	LED pendant profile luminaire direct/indirect
Material	Aluminium / Steel / Plastic
Colour	silver structure
Type of surface	Structure
Shape	Rectangular
Length	2,260 mm
Width	40 mm
Hight	75 mm
Weight	4.07 kg
Conformance	CE, UKCA

**BIRO40 2.0 LED pendant profile luminaire direct/indirect**

Article no. 7432265032

Lighting technology	
Colour temperature	2.700 - 6.500 K
Light colour	white
Color Temperature 1	2,700 K
Color Temperature 2	4,000 K
Light output	Direct/Indirect
Luminous flux	7,519 - 7,785 lm
Luminous flux 1	7,785 lm
Luminous flux 2	7,519 lm
Luminous flux component (direct / indirect)	50/50 %
System efficiency	139 lm/W
McAdam-Step	McAdam-Step 3
Colour rendering	CRI > 90
Reflector	Without
Glare evaluation	UGR < 19
Light sharing	Symmetric
Adjustable color temperature	Infinite control

Operating technology of the luminaire	
System output	56 W
Voltage type	AC
AC nominal voltage max	230 V
Frequency max	50 Hz
Lamp	LED
Lamp holder	Without fitting
Protection class	I
Protection class on the ceiling side	IP20
Degree of protection	IP20
Dimmable	Yes
Control	DALI-DT8
Bulb change possible	The light source of this luminaire may only be replaced by the manufacturer or a service technician commissioned by him or a similarly qualified person.
Rated life time L80/B50 at 25 °C	113.000 h
Energy efficiency class	not required

Mounting technology	
Mounting method	Suspended
Place of installation	Ceiling-mounted
Adjustability	Not adjustable
Pendulum length min.	500 mm
Pendulum length max.	1,500 mm
Number of cable suspensions	2
Material cover	Plastic, microprismatic

Packing data	
Gross weight	4.86 kg
Length of packaging	2,300 mm
Packaging width	160 mm
Packaging height	135 mm
Disposal at end of life	This product must not be disposed of with household waste. You are obliged, to dispose of such electrical waste separately. By disposing of electrical waste and other old or defective electronics separately, you support recycling or other forms of re-use. In that way you help to take care and to avoid that harmful substances get into the environment.