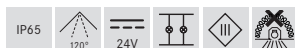
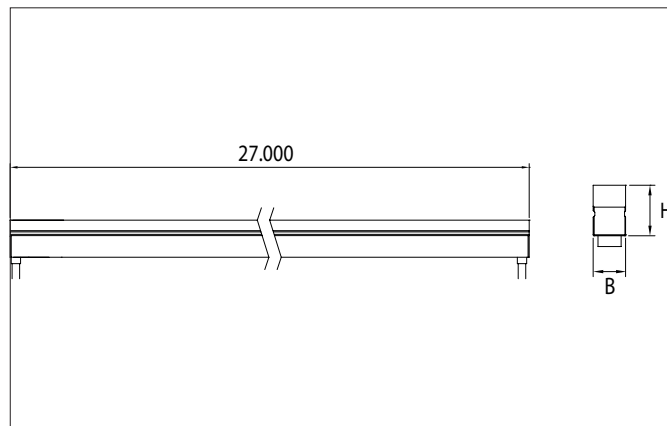
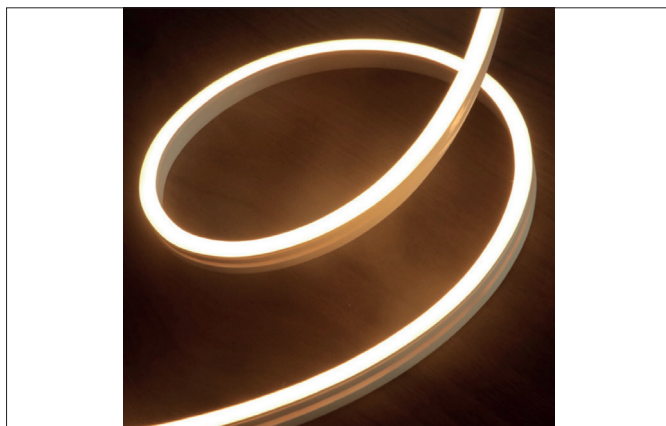



QUALITYFLEX Protection Horizon Flex lighting segment 50 m,
CRI >90, 5 W / m, IP65

Article no. 75582027


Tender

Flex lighting segment 50 m, CRI >90, 5 W / m, IP65, white, Light colour: white, 2.700K, CRI > 90. Length: 50 mm . Lamp power per meter: 5.0 W/m, Luminous flux per meter: 146.0 lm/m, Degree of protection: IP65, Protection class: III, Voltage: 24V DC, Beam angle: 120.0 °, 120 LEDs per meter, Chip distance (Short Pitch) : 8,33mm. For individual application, the LED flex board can be used all 50 mm be cut back. The maximum system length of 20.000 mm must not be exceeded with one feed-in.

Product Benefits

- Max. length up to 20,000 mm, with a pitch of 50 mm.
- Suitable for indoor and outdoor applications (IP65).
- Can be divided every 50 mm (protection class IP65).
- Ideal for terraces, facades, and entrance areas.
- Service life L80/B10: 36,000 hours.
- Easy installation with matching aluminum profiles or mounting clips.
- Dimmable with appropriate accessories.


**QUALITYFLEX Protection Horizon Flex lighting segment 50 m,
 CRI >90, 5 W / m, IP65**
 Article no. 75582027

Article data	
Article no.	75582027
GTIN	4255752502883
Series name	QUALITYFLEX Protection Horizon
Short description	Flex lighting segment 50 m, CRI >90, 5 W / m, IP65
Colour	white
Length	50 mm
Width	12 mm
Hight	20 mm
Scope of delivery	incl. 1 x assembly instructions
Weight	0.03 kg
Conformance	CE, UKCA

Lighting technology	
Colour temperature	2.700 K
Light colour	white
Luminous flux per meter	146 lm/m
System efficiency	29 lm/W
McAdam-Step	McAdam-Step 2
Colour rendering	CRI > 90
Beam angle	120°
Adjustable color temperature	No

Operating technology of the luminaire	
Lamp power per meter	5 W/m
Voltage type	DC
DC nominal voltage max	24 V
Lamp	LED
Protection class	III
Degree of protection	IP65
Ambient temperature	-20 °C to +50 °C
Dimmable	Yes
Wire number	2
Control	Depending on driver
Cable assignment	red = + pole black = - pole
Design of the connecting cable	one-sided
Bulb change possible	No
Rated life time L70/B50 at 25 °C	54,000 h
Rated life time L80/B10 at 25 °C	36.000 h
Energy efficiency class	F

Operating technology of QualityFlex	
Power per meter	5 W/m
Short Pitch	8.33 mm
Number of lamps per meter	120 Qty
Length of individual sections	50 mm
Smallest bend radius	120 mm
Length	50 mm
Maximum module length	20,000 mm
Circuit type	Parallel conduction
LED Type	2835 LED


QUALITYFLEX Protection Horizon Flex lighting segment 50 m,
CRI >90, 5 W / m, IP65

Article no. 75582027

Packing data	
Gross weight	0.034 kg
Length of packaging	490 mm
Packaging width	440 mm
Packaging height	40 mm
Disposal at end of life	<p>This product must not be disposed of with household waste. You are obliged, to dispose of such electrical waste separately.</p> <p>By disposing of electrical waste and other old or defective electronics separately, you support recycling or other forms of re-use. In that way you help to take care and to avoid that harmful substances get into the environment.</p>

Required accessories	
Article no.: 53255100	2-wire connection set, front
Dimensions: 26.5 mm x 17 mm x 24.2 mm	https://www.brumberg.com/fileadmin/products/Datenblatt_53255100_2021_DE.pdf
Article no.: 53255200	2-wire connection set, right-hand side
Dimensions: 26.5 mm x 17 mm x 24.2 mm	https://www.brumberg.com/fileadmin/products/Datenblatt_53255200_2021_DE.pdf
Article no.: 53255300	2-wire connection set, bottom
Dimensions: 26.5 mm x 17 mm x 24.2 mm	https://www.brumberg.com/fileadmin/products/Datenblatt_53255300_2021_DE.pdf
Article no.: 53254000	Protection Horizon End Cap Set
Dimensions: 26.5 mm x 17 mm x 24.2 mm	https://www.brumberg.com/fileadmin/products/Datenblatt_53254000_2021_DE.pdf

Compatible Driver						
Article no.						
17206000						
17207000						
17214000						
17223000						
17224000						
17225000						
17226000						
17227000						
17228000						
17230000	5 W	30 W	Trailing-edge phase	145 mm	50 mm	22 mm
17231000	12 W	75 W	Trailing-edge phase	185 mm	60 mm	31 mm
17232000	12 W	120 W	Trailing-edge phase	223 mm	64 mm	32 mm
17240000	1 W	20 W	on/off	150 mm	40 mm	30 mm
17241000	1 W	40 W	on/off	210 mm	40 mm	30 mm
17242000	1 W	60 W	on/off	250 mm	40 mm	30 mm
17243000	1 W	120 W	on/off	300 mm	40 mm	30 mm
17244000	1 W	150 W	on/off	310 mm	40 mm	30 mm
17250000	1 W	45 W	DALI-2	187 mm	45 mm	31 mm
17251000	1 W	80 W	DALI-2	290 mm	45 mm	31 mm
17252000	1 W	150 W	DALI-2	290 mm	45 mm	31 mm
17260000						



**QUALITYFLEX Protection Horizon Flex lighting segment 50 m,
CRI >90, 5 W / m, IP65**
Article no. 75582027

Compatible Conroller						
Article no.		Power	Control	Length	Width	Hight
17502000	1 W	120 W	DALI	183 mm	33 mm	23 mm
18151000	1 W	240 W	KNX	170 mm	59 mm	30 mm
18152000	1 W	240 W	DALI-DT6	170 mm	59 mm	30 mm
18153000	1 W	240 W	DMX	170 mm	59 mm	30 mm
18154000	1 W	240 W	1-10 V	170 mm	59 mm	30 mm
18161000	1 W	240 W	KNX	72 mm	90 mm	70 mm
18162000	1 W	240 W	DALI-DT6	54 mm	110 mm	66 mm
18164000	1 W	240 W	1-10 V	54 mm	110 mm	66 mm
17528000	1 W	240 W	Wireless technology control			
17511000	120 W	240 W	Wireless technology control		46.5 mm	145 mm
18157000	1 W	240 W	ZigBee	145 mm	46.5 mm	16 mm
18192000	1 W	240 W	Wireless technology control	160 mm	45 mm	18 mm

Compatible Profiles			
Short description			
LED surface-mounted profile alu anodized Horizon 53581260			
LED bendable attachment profile Steel Horizon 53582260			