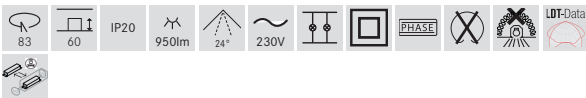
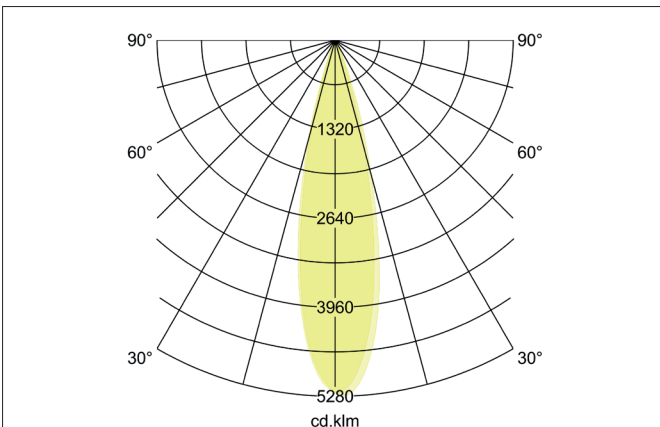
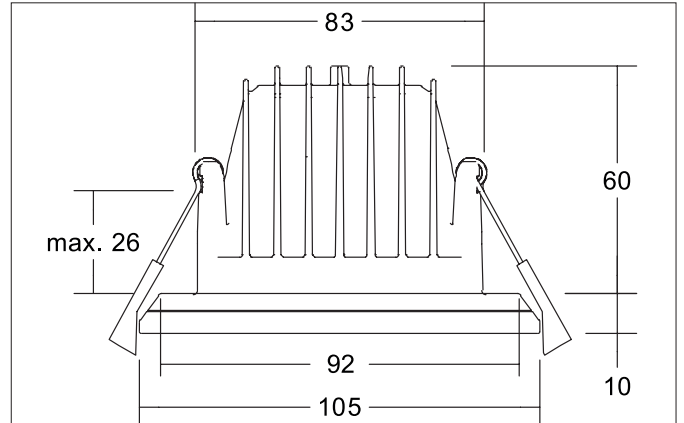




ZONDRA LED recessed downlight set, direct / indirect, trailing edge phase dimmable
Article no. 39339173



Tender
Round LED recessed downlight, direct/indirect, dimmable trailing edge, tool-free ceiling installation using installation springs. Ceiling cut-out Ø 83 mm, installation depth 60 mm, outer diameter 105 mm, weight 0.330 kg, silver reflector with rotationally symmetrical deep-wide beam light distribution. Structured plastic cover, with max: 13 W, supplied without light source. Housing material: aluminum / plastic, color: textured white, permissible ambient temperature (ta): -20 °C - +25 °C, protection class (EN 61140): II, degree of protection (DIN EN 60529): IP20. With electronic control gear, trailing edge dimmable with integrated strain relief.

Product Benefits

- Recessed downlight in round design made of solid aluminum.
- Ceiling cut-out 83 mm, outer diameter 92/105 mm, installation depth 60 mm, height 10 mm, maximum ceiling thickness 26 mm, Luminous flux 950 lm, direct/indirect light emission, IP20.
- Also available as a smaller version (diameter 78/90 mm) and as a pure direct version with UGR<16 available in two sizes.
- Supplied including dimmable phase cut-off converter.


ZONDRA LED recessed downlight set, direct / indirect, trailing edge phase dimmable

Article no. 39339173

Article data	
Article no.	39339173
GTIN	4251433981534
Series name	ZONDRA
Short description	LED recessed downlight set, direct / indirect, trailing edge phase dimmable
Material	Aluminium / Plastic
Colour	white structure
Type of surface	Structure
Shape	Round
Outer diameter	105 mm
Built-in diameter min.	80 mm
Built-in diameter max.	83 mm
Installation depth	60 mm
Hight	10 mm
Weight	0.33 kg
D licence plate	No
Conformance	CE, UKCA

Lighting technology	
Colour temperature	3.000 K
Light colour	white
Light output	Direct/Indirect
Luminous flux	950 lm
System efficiency	73 lm/W
Colour rendering	CRI > 80
Reflector	Matt
Reflector colour	silver
Beam angle	24°
Light sharing	Symmetric
Adjustable color temperature	No

Operating technology of the luminaire	
System output	13 W
Voltage type	AC
AC nominal voltage max	230 V
Frequency max	50 Hz
Lamp	LED
Protection class	II
Degree of protection	IP20
Dimmable	Yes
Control	Trailing-edge phase
Bulb change possible	Yes
Rated life time L70/B50 at 25 °C	50,000 h
Energy efficiency class	not required

Mounting technology	
Mounting method	Recessed mounting
Place of installation	Ceiling-mounted
Adjustability	Not adjustable
Max. ceiling thickness	26 mm
Further references	No cover with thermal insulation material
Material cover	Plastic, structured
Circlip	Without circlip
Suitable for through-wiring	Yes, with optional accessories


BRUMBERG

Light. Since 1873.

ZONDRA LED recessed downlight set, direct / indirect, trailing edge phase dimmable

Article no. 39339173

Packing data	
Gross weight	0.386 kg
Length of packaging	140 mm
Packaging width	125 mm
Packaging height	85 mm
Disposal at end of life	<p>This product must not be disposed of with household waste. You are obliged, to dispose of such electrical waste separately.</p> <p>By disposing of electrical waste and other old or defective electronics separately, you support recycling or other forms of re-use. In that way you help to take care and to avoid that harmful substances get into the environment.</p>

Optional accessories
Article no.: 83330000 Connection box 230 V AC, 3-pole Dimensions: 85 mm x 35 mm x 30 mm https://www.brumberg.com/fileadmin/products/Datenblatt_83330000_2021_DE.pdf