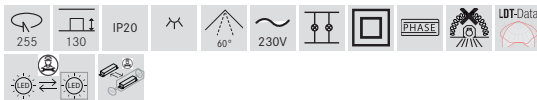
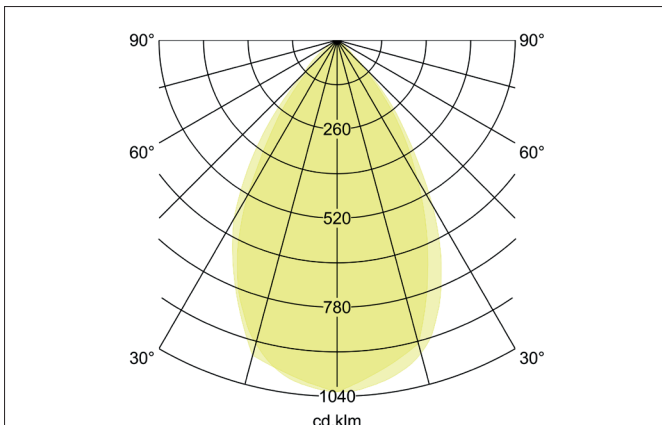
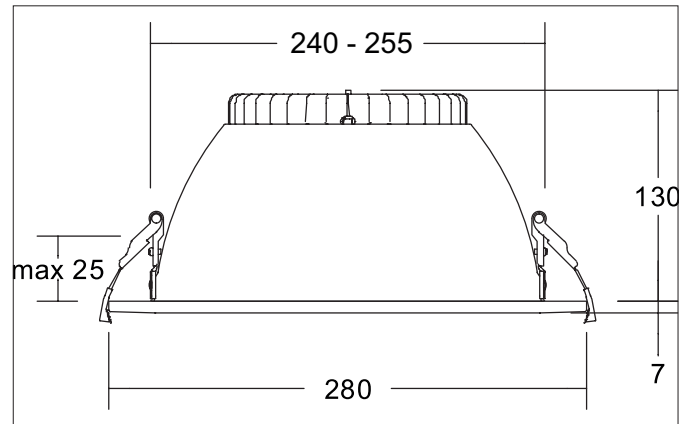




MUNA MEGA LED recessed downlight, 3CCT, UGR < 19, trailing edge dimmable, reflector silver, bevelled
Article no. 12569073



Tender

LED recessed downlight, 3CCT, UGR < 19, trailing edge dimmable, reflector silver, bevelled, Round. Toolless ceiling installation by installation springs. Ceiling cut-out Ø 255 mm, Installation depth 130 mm, Outer diameter 280 mm, Weight 0,875 kg, Reflector silver with rotationssymmetrical, deep, wide distributed light intensity. Cover polycarbonat opal Luminous flux 4.300 - 4.880 lm, UGR < 19, Power 1 x 50 W, Light colour warm white to daylight white, Correlated color temprature (CCT) 3.000 - 5.700 K, Colour rendering index CRI > 80, Rated life time L70/B10 at 25 °C: 80.000 h, Rated life time L70/B50 at 25 °C: 50.000 h, Rated life time L80/B50 at 25 °C: 50.000 h, Housing material: Aluminium / Polycarbonate / Steel, Colour: white matt, Permissible ambient temperature (ta): -20 °C up to +25 °C, Protection class (EN 61140): II, Degree of protection (DIN EN 60529): IP20. With electronic driver, Trailing-edge phase dimmable.


MUNA MEGA LED recessed downlight, 3CCT, UGR < 19, trailing edge dimmable, reflector silver, bevelled

Article no. 12569073

Product Benefits

- Round recessed downlight made of aluminum with generously dimensioned thermal management.
- 3CCT: 3,000 K, 4,000 K or 5,700 K adjustable.
- High-quality aluminum reflector with lens.
- Simple and tool-free installation.
- UGR < 19.
- Low installation depth of 130 mm, diameter of 280 mm, Ceiling cut-out 240-255 mm.
- Phase section dimmable.
- Cover ring removable and replaceable with black ring (separate accessory).
- Ring in round black or round white also with additional, suspended float glass (partially frosted) (separate accessory).
- Cover frame also available in square in black or white instead of round instead of round (separate accessories).

Article data	
Article no.	12569073
GTIN	4255752500896
Series name	MUNA MEGA
Short description	LED recessed downlight, 3CCT, UGR < 19, trailing edge dimmable, reflector silver, bevelled
Material	Aluminium / Polycarbonate / Steel
Colour	white matt
Type of surface	Matt
Shape	Round
Outer diameter	280 mm
Built-in diameter min.	240 mm
Built-in diameter max.	255 mm
Installation depth	130 mm
Hight	7 mm
Scope of delivery	incl. converter for connection to 230 V mains voltage, phase cut-off dimmable with switch for color temperature selection: 3,000 K / 4,000 K / 5,700 K
Weight	0.875 kg
D licence plate	No
Conformance	CE, UKCA

Lighting technology	
Colour temperature	3.000 K / 4.000 K / 5.700 K
Color Temperature 1	3,000 K
Color Temperature 2	4,000 K
Color Temperature 3	5,700 K
Light output	Direct
Luminous flux	4,300 - 4,880 lm
Luminous flux 1	4,300 lm
Luminous flux 2	4,880 lm
Luminous flux 3	4,490 lm
System efficiency	98 lm/W
Colour rendering	CRI > 80
Reflector	Faceted
Reflector colour	silver
Beam angle	60°
Glare evaluation	UGR < 19
Light sharing	Symmetric
Adjustable color temperature	Stages


MUNA MEGA LED recessed downlight, 3CCT, UGR < 19, trailing edge dimmable, reflector silver, bevelled

Article no. 12569073

Operating technology of the luminaire	
System output	50 W
Voltage type	AC
AC nominal voltage max	230 V
Frequency max	50 Hz
Lamp	LED
Protection class	II
Degree of protection	IP20
Dimmable	Yes
Control	Trailing-edge phase
Bulb change possible	The light source of this luminaire may only be replaced by the manufacturer or a service technician commissioned by him or a similarly qualified person.
Rated life time L70/B50 at 25 °C	50,000 h
Rated life time L80/B50 at 25 °C	50.000 h
Energy efficiency class	not required

Mounting technology	
Mounting method	Recessed mounting
Place of installation	Ceiling-mounted
Adjustability	Not adjustable
Max. ceiling thickness	25 mm
Further references	No cover with thermal insulation material
Material cover	Polycarbonat opal
Suitable for through-wiring	Yes, with optional accessories

Packing data	
Gross weight	1.375 kg
Length of packaging	305 mm
Packaging width	305 mm
Packaging height	155 mm
Disposal at end of life	This product must not be disposed of with household waste. You are obliged, to dispose of such electrical waste separately. By disposing of electrical waste and other old or defective electronics separately, you support recycling or other forms of re-use. In that way you help to take care and to avoid that harmful substances get into the environment.


MUNA MEGA LED recessed downlight, 3CCT, UGR < 19, trailing edge dimmable, reflector silver, bevelled

Article no. 12569073

Optional accessories
Article no.: 81219080 Cover frame, square, for 12569 Dimensions: 280 mm x 280 mm x 7 mm https://www.brumberg.com/fileadmin/products/Datenblatt_81219080_2021_DE.pdf
Article no.: 81219070 Cover frame, square, for 12569 Dimensions: 280 mm x 280 mm x 7 mm https://www.brumberg.com/fileadmin/products/Datenblatt_81219070_2021_DE.pdf
Article no.: 81214080 Cover ring, round, for 12569 Dimensions: 280 mm x 7 mm https://www.brumberg.com/fileadmin/products/Datenblatt_81214080_2021_DE.pdf
Article no.: 81224070 Cover ring, round, with suspended float glass, partially frosted, for 12569 Dimensions: 280 mm x 30 mm https://www.brumberg.com/fileadmin/products/Datenblatt_81224070_2021_DE.pdf
Article no.: 81224080 Cover ring, round, with suspended float glass, partially frosted, for 12569 Dimensions: 280 mm x 30 mm https://www.brumberg.com/fileadmin/products/Datenblatt_81224080_2021_DE.pdf
Article no.: 83330000 Connection box 230 V AC, 3-pole Dimensions: 85 mm x 35 mm x 30 mm https://www.brumberg.com/fileadmin/products/Datenblatt_83330000_2021_DE.pdf