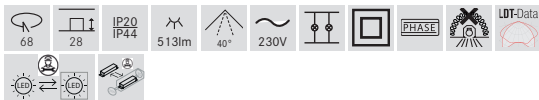
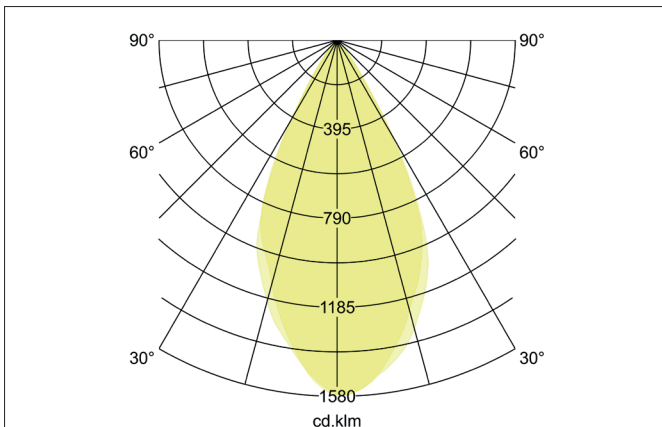
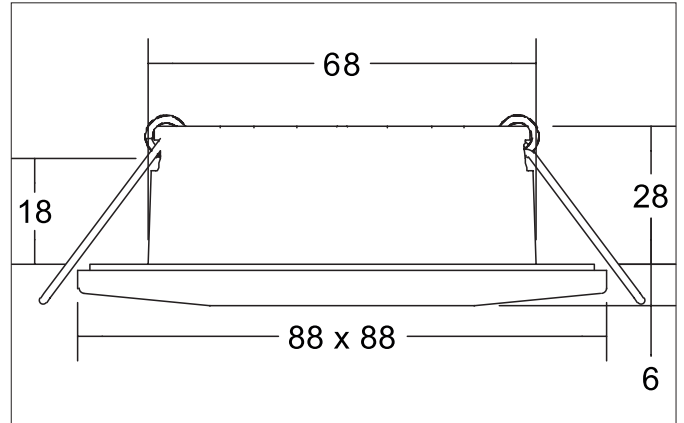
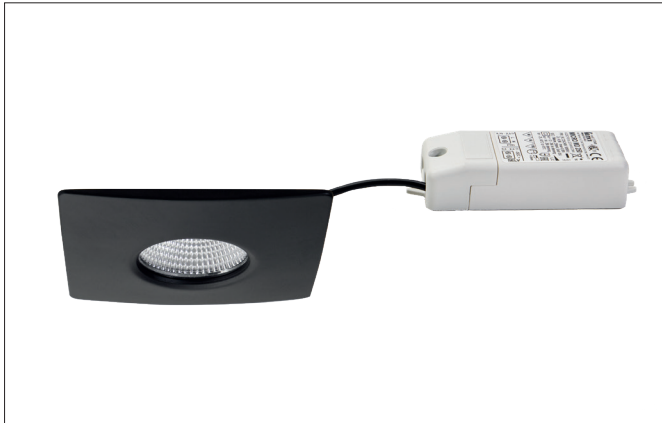




CHOOOSE LED recessed downlight set, with adjustable color temperature, trailing-edge phase dimmable
Article no. 39255083



Tender
LED recessed downlight set, with adjustable color temperature, trailing-edge phase dimmable, Square. Toolless ceiling installation by installation springs. Ceiling cut-out Ø 68 mm, Installation depth 28 mm, Length 88 mm, Width 88 mm, Weight 0,206 kg, Reflector silver with rotationssymmetrical, deep, wide distributed light intensity. Cover polycarbonat clear Luminous flux 445 - 513 lm, Power 1 x 4,5 W, Light colour neutral white to warm white, Correlated color temperature (CCT) 4.000 - 2.700 K, Colour rendering index CRI > 80, Housing material: Aluminium / Steel / Plastic, Colour: black matt, Permissible ambient temperature (ta): -20 °C up to +25 °C, Protection class (EN 61140): II, Degree of protection (DIN EN 60529): IP44. With electronic driver, Trailing-edge phase dimmable.

Product Benefits

- IP44 protection class for indoor wet room applications
- Flexible adjustment of the desired color temperature via DIP switch on the front
- Magnetically attached square bezel (alternatively: round)
- Available in three current colors
- Standard ceiling cut-out 68 mm - low installation depth 28 mm
- Dimmable via trailing-edge phase dimmer as standard (supplied as a set)
- Panels also available individually (for conversion, renovation, etc.)


CHOOOSE LED recessed downlight set, with adjustable color temperature, trailing-edge phase dimmable

Article no. 39255083

| Article data | |
|------------------------|--|
| Article no. | 39255083 |
| GTIN | 4251433958123 |
| Series name | CHOOOSE |
| Short description | LED recessed downlight set, with adjustable color temperature, trailing-edge phase dimmable |
| Material | Aluminium / Steel / Plastic |
| Colour | black matt |
| Type of surface | Matt |
| Shape | Square |
| Length | 88 mm |
| Width | 88 mm |
| Built-in diameter min. | 67 mm |
| Built-in diameter max. | 68 mm |
| Installation depth | 28 mm |
| Hight | 6 mm |
| Scope of delivery | with front DIP switch for color temperature adjustment (switch hidden under magnetically attached cover) |
| Weight | 0.206 kg |
| D licence plate | No |
| Conformance | CE, UKCA |

| Lighting technology | |
|------------------------------|-----------------------------|
| Colour temperature | 2.700 K / 3.000 K / 4.000 K |
| Light colour | white |
| Color Temperature 1 | 2,700 K |
| Color Temperature 2 | 3,000 K |
| Color Temperature 3 | 4,000 K |
| Light output | Direct |
| Luminous flux | 445 - 513 lm |
| Luminous flux 1 | 445 lm |
| Luminous flux 2 | 483 lm |
| Luminous flux 3 | 513 lm |
| System efficiency | 114 lm/W |
| Colour rendering | CRI > 80 |
| Reflector | High-gloss |
| Reflector colour | silver |
| Beam angle | 40° |
| Light sharing | Symmetric |
| Adjustable color temperature | Stages |

| Operating technology of the luminaire | |
|---------------------------------------|--|
| System output | 4.5 W |
| Voltage type | AC |
| AC nominal voltage max | 230 V |
| Frequency max | 50 Hz |
| Lamp | LED |
| Lamp holder | Without fitting |
| Protection class | II |
| Protection class on the ceiling side | IP20 |
| Degree of protection | IP44 |
| Dimmable | Yes |
| Control | Trailing-edge phase |
| Bulb change possible | The light source of this luminaire may only be replaced by the manufacturer or a service technician commissioned by him or a similarly qualified person. |
| Energy efficiency class | not required |


CHOOOSE LED recessed downlight set, with adjustable color temperature, trailing-edge phase dimmable

Article no. 39255083

| Mounting technology | |
|-----------------------------|---|
| Mounting method | Recessed mounting |
| Place of installation | Ceiling-mounted |
| Adjustability | Not adjustable |
| Max. ceiling thickness | 15 mm |
| Further references | No cover with thermal insulation material |
| Material cover | Polycarbonat clear |
| Suitable for through-wiring | Yes, with optional accessories |

| Packing data | |
|-------------------------|---|
| Gross weight | 0.243 kg |
| Length of packaging | 95 mm |
| Packaging width | 75 mm |
| Packaging height | 95 mm |
| Disposal at end of life | This product must not be disposed of with household waste. You are obliged, to dispose of such electrical waste separately. By disposing of electrical waste and other old or defective electronics separately, you support recycling or other forms of re-use. In that way you help to take care and to avoid that harmful substances get into the environment. |

| Optional accessories | |
|---|--|
| Article no.: 81255070 Interchangeable cover CHOOOSE | |
| Dimensions: 88 mm x 88 mm x 6 mm https://www.brumberg.com/fileadmin/products/Datenblatt_81255070_2021_DE.pdf | |
| Article no.: 81255150 Interchangeable cover CHOOOSE | |
| Dimensions: 88 mm x 88 mm x 6 mm https://www.brumberg.com/fileadmin/products/Datenblatt_81255150_2021_DE.pdf | |
| Article no.: 81255080 Interchangeable cover CHOOOSE | |
| Dimensions: 88 mm x 88 mm x 6 mm https://www.brumberg.com/fileadmin/products/Datenblatt_81255080_2021_DE.pdf | |
| Article no.: 81253070 Interchangeable cover CHOOOSE | |
| Dimensions: 88 mm x 6 mm https://www.brumberg.com/fileadmin/products/Datenblatt_81253070_2021_DE.pdf | |
| Article no.: 81253150 Interchangeable cover CHOOOSE | |
| Dimensions: 88 mm x 6 mm https://www.brumberg.com/fileadmin/products/Datenblatt_81253150_2021_DE.pdf | |
| Article no.: 81253080 Interchangeable cover CHOOOSE | |
| Dimensions: 88 mm x 6 mm https://www.brumberg.com/fileadmin/products/Datenblatt_81253080_2021_DE.pdf | |