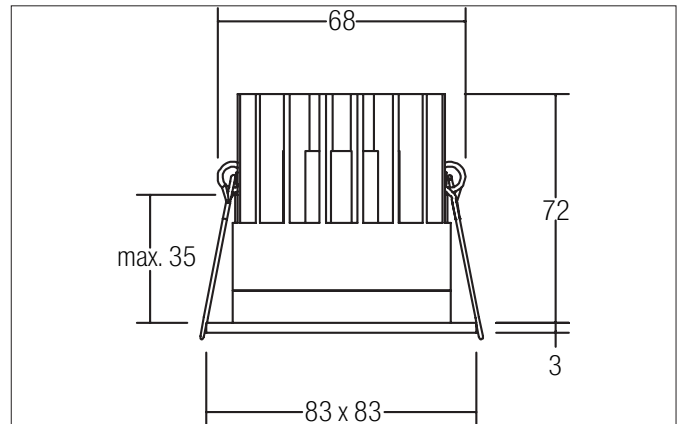




ALTERO-S LED recessed downlight, dim2warm, IP44

Article no. 12036553DW



Tender

LED recessed downlight, dim2warm, IP44, Square. Toolless ceiling installation by installation springs. Ceiling cut-out Ø 68 mm, Installation depth 72 mm, Outer diameter 83 mm, Weight 0,274 kg, Reflector silver with rotationssymmetrical, deep, wide distributed light intensity. Cover glass transparent Luminous flux 24 - 712 lm, Power 1 x 11,8 W, Light colour warm white to warm white, Correlated color temperature (CCT) 3.000 K - 1.800 K, Colour rendering index CRI > 90, Housing material: Aluminium / Glass / Plastic, Colour: white structure / black structure, Permissible ambient temperature (ta): -20 °C up to +25 °C, Protection class (EN 61140): III, Degree of protection (DIN EN 60529): IP44. For connection to an external driver, which is not included in the scope of delivery of the luminaire. Depending on driver dimmable.

Product Benefits

- Modular product series with a wide range of colors.
- For flexible lighting solutions for changing room concepts from neutral to accentuated.
- Available in the color temperatures 3,000 K and 4,000 K and dim2warm (3,000 K - 1,800 K), TunableWhite (2,700 K - 6,500 K) and 2,700 K.
- Standard ceiling cut-out 68 mm.
- Recessed light emission.
- Protection class IP44 for installation in closed ceilings.
- Also available in round version.


ALTERO-S LED recessed downlight, dim2warm, IP44

Article no. 12036553DW

Article data	
Article no.	12036553DW
GTIN	4251433981695
Series name	ALTERO-S
Short description	LED recessed downlight, dim2warm, IP44
Material	Aluminium / Glass / Plastic
Colour	white structure / black structure
Type of surface	Structure
Shape	Square
Outer diameter	83 mm
Length	83 mm
Width	83 mm
Built-in diameter min.	68 mm
Built-in diameter max.	68 mm
Installation depth	72 mm
Hight	3 mm
Weight	0.274 kg
D licence plate	No
Conformance	CE, UKCA

Lighting technology	
Colour temperature	3.000 K - 1.800 K
Light colour	white
Color Temperature 1	3,000 K
Color Temperature 2	1,800 K
Light output	Direct
Luminous flux	24 - 712 lm
Luminous flux 1	712 lm
Luminous flux 2	24 lm
System efficiency	60 lm/W
Colour rendering	CRI > 90
Reflector	Faceted
Reflector colour	silver
Beam angle	33°
Light sharing	Symmetric
Adjustable color temperature	Infinite control

Operating technology of the luminaire	
Voltage type	DC
Current	350 mA
Lamp	LED
Protection class	III
Protection class on the ceiling side	IP20
Degree of protection	IP44
Dimmable	Depending on type of control gear
Control	Depending on driver
Bulb change possible	The light source of this luminaire may only be replaced by the manufacturer or a service technician commissioned by him or a similarly qualified person.
Energy efficiency class	not required

Mounting technology	
Mounting method	Recessed mounting
Place of installation	Ceiling-mounted
Adjustability	Not adjustable
Max. ceiling thickness	35 mm
Further references	No cover with thermal insulation material
Material cover	Glass transparent


ALTERO-S LED recessed downlight, dim2warm, IP44

Article no. 12036553DW

Packing data	
Gross weight	0.324 kg
Length of packaging	100 mm
Packaging width	100 mm
Packaging height	100 mm
Disposal at end of life	<p>This product must not be disposed of with household waste. You are obliged, to dispose of such electrical waste separately.</p> <p>By disposing of electrical waste and other old or defective electronics separately, you support recycling or other forms of re-use. In that way you help to take care and to avoid that harmful substances get into the environment.</p>

Required accessories	
Article no.: 17664010	<p>LED converter 350 mA, trailing-edge phase dimmable</p> <p>Power: 10,2 - 14 W, ohne Konfektionierung</p> <p>Dimensions: 125 mm x 51 mm x 20 mm</p> <p>https://www.brumberg.com/fileadmin/products/Datenblatt_17664010_2021_DE.pdf</p>
Article no.: 17643010	<p>LED converter 350 mA, trailing-edge phase dimmable</p> <p>Power: 8,8 - 18 W, ohne Konfektionierung</p> <p>Dimensions: 110.5 mm x 52 mm x 22 mm</p> <p>https://www.brumberg.com/fileadmin/products/Datenblatt_17643010_2021_DE.pdf</p>
Article no.: 17657010	<p>LED converter 350 mA, 1-10 V dimmable (analog)</p> <p>Power: 5,2 - 18 W, ohne Konfektionierung</p> <p>Dimensions: 110 mm x 52 mm x 22 mm</p> <p>https://www.brumberg.com/fileadmin/products/Datenblatt_17657010_2021_DE.pdf</p>
Article no.: 17683010	<p>LED converter 350 mA, DALI dimmable (digital)</p> <p>Power: 3,5 - 17 W, ohne Konfektionierung</p> <p>Dimensions: 110.5 mm x 52 mm x 22 mm</p> <p>https://www.brumberg.com/fileadmin/products/Datenblatt_17683010_2021_DE.pdf</p>
Article no.: 17671010	<p>LED converter 350mA, ZigBee dimmable</p> <p>Power: 3,5 - 18,5 W, ohne Konfektionierung</p> <p>Dimensions: 146.5 mm x 44 mm x 30 mm</p> <p>https://www.brumberg.com/fileadmin/products/Datenblatt_17671010_2021_DE.pdf</p>
Article no.: 17672010	<p>LED converter 350mA, Casambi dimmable</p> <p>Power: 3,5 - 18,5 W, ohne Konfektionierung</p> <p>Dimensions: 146.5 mm x 44 mm x 30 mm</p> <p>https://www.brumberg.com/fileadmin/products/Datenblatt_17672010_2021_DE.pdf</p>
Article no.: 17682010	<p>LED converter 350 mA, DALI dimmable (digital)</p> <p>Power: 1,8 - 18,5 W, ohne Konfektionierung</p> <p>Dimensions: 146.5 mm x 43.5 mm x 22 mm</p> <p>https://www.brumberg.com/fileadmin/products/Datenblatt_17682010_2021_DE.pdf</p>



ALTERO-S LED recessed downlight, dim2warm, IP44

Article no. 12036553DW

Optional accessories

Article no.: 83330000

Connection box 230 V AC, 3-pole

Dimensions: 85 mm x 35 mm x 30 mm

https://www.brumberg.com/fileadmin/products/Datenblatt_83330000_2021_DE.pdf

Article no.: 83331000

Connection box 230 V AC, 5-pole (DALI / 1-10 V)

Dimensions: 90 mm x 52 mm x 30 mm

https://www.brumberg.com/fileadmin/products/Datenblatt_83331000_2021_DE.pdf