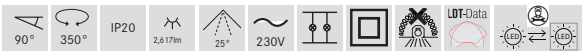
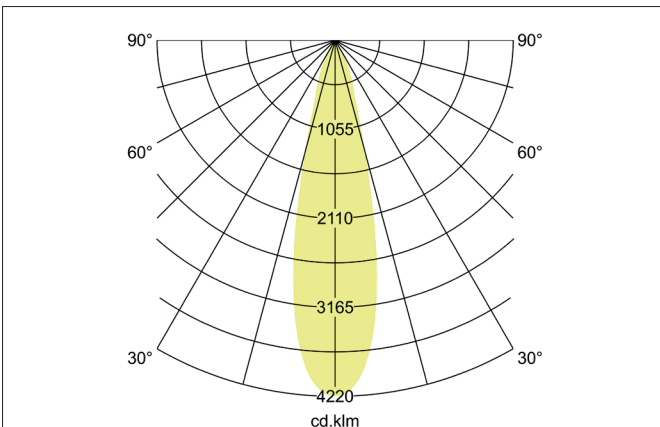
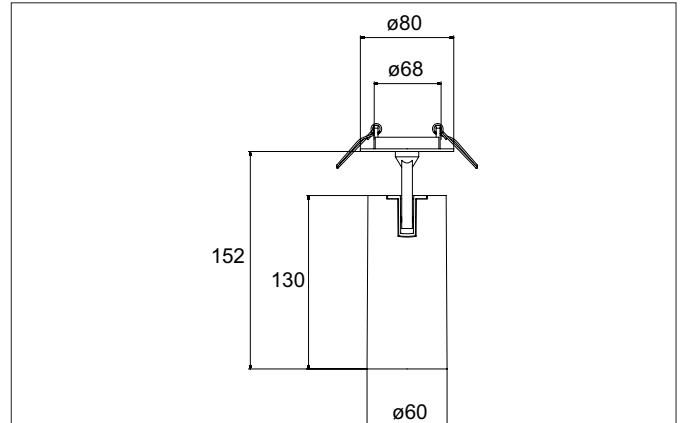




**TRAXX MIDI LED semi-recessed spotlight, DALI**  
 Article no. 88792174DA



**Tender**  
 Round LED semi-recessed spotlight, rotatable and tiltable, DALI dimmable, ceiling cut-out Ø 68 mm, installation depth 50 mm, weight 0.400 kg, with rotationally symmetrical narrow-wide beam light distribution. Transparent glass cover, rated luminous flux 2,617 lm, rated wattage 1 x 21 W, neutral white light color, most similar color temperature (CCT) 4,000 K, general color rendering index CRI > 90, service life L80/B50 at 25 °C: 50,000 h, housing material: aluminum, color: textured white, permissible ambient temperature (ta): -20 °C - +25 °C, protection class (EN 61140): II, degree of protection (DIN EN 60529): IP20. With electronic control gear, DALI-DT6 dimmable.

Article data	
Article no.	88792174DA
GTIN	4251433986478
Series name	TRAXX MIDI
Short description	LED semi-recessed spotlight, DALI
Material	Aluminium
Colour	White
Type of surface	Structure
Shape	Round
Built-in diameter	68 mm
Installation depth	50 mm
Weight	0.400 kg
Conformance	CE, UKCA


**TRAXX MIDI LED semi-recessed spotlight, DALI**

Article no. 88792174DA

Lighting technology	
Colour temperature	4.000 K
Light colour	White
Light output	Direct
Luminous flux	2,617 lm
System efficiency	125 lm/W
Colour rendering	CRI > 90
Reflector	High-gloss
Beam angle	25°
Light sharing	Symmetric
Adjustable color temperature	No

Operating technology of the luminaire	
System output	21 W
Voltage type	AC
AC nominal voltage max	230 V
Frequency max	50 Hz
Lamp	LED
Protection class	II
Degree of protection	IP20
Control	DALI-DT6
Bulb change possible	The light source of this luminaire may only be replaced by the manufacturer or a service technician commissioned by him or a similarly qualified person.
Rated life time L80/B50 at 25 °C	50.000 h
Energy efficiency class	nicht erforderlich

Mounting technology	
Mounting method	Recessed mounting
Place of installation	Ceiling-mounted
Adjustability	Rotable and pivoted
Swivel angle	90°
Rotation angle	350°
Head adjustable angle	90°
Further references	No cover with thermal insulation material
Material cover	Glass transparent
Suitable for through-wiring	No

Packing data	
Gross weight	0.46 kg
Length of packaging	60 mm
Packaging width	60 mm
Packaging height	191 mm
Disposal at end of life	This product must not be disposed of with household waste. You are obliged, to dispose of such electrical waste separately. By disposing of electrical waste and other old or defective electronics separately, you support recycling or other forms of re-use. In that way you help to take care and to avoid that harmful substances get into the environment.