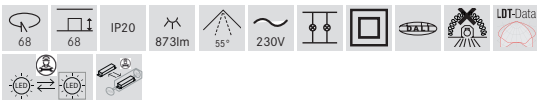
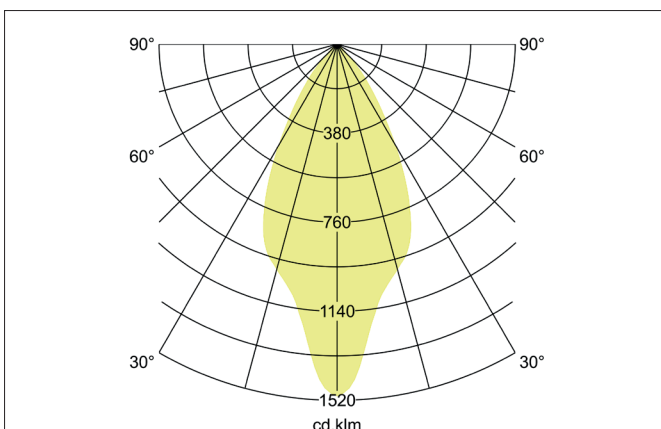
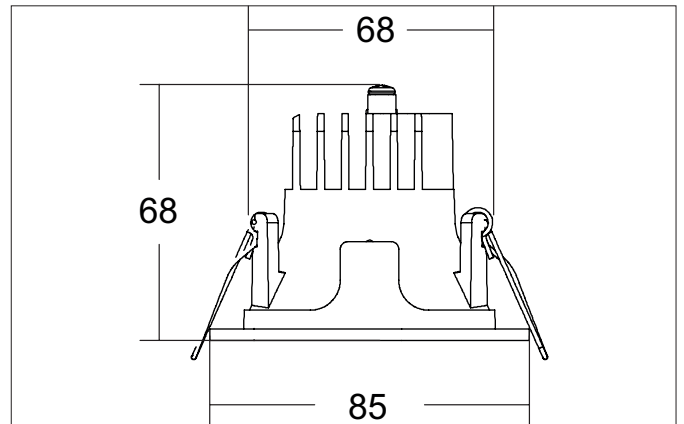


**APOLLO MICRO LED downlight, round, DALI**

Article no. 40611184DA

**Tender**

LED downlight, round, DALI, Round. Toolless ceiling installation by installation springs. Ceiling cut-out Ø 68 mm, Installation depth 68 mm, Outer diameter 85 mm, Weight 0,135 kg, Reflector silver with rotationssymmetrical, deep, wide distributed light intensity. Cover plastic, transparent Luminous flux 873 lm, UGR < 19, Power 1 x 7 W, Light colour neutral white, Correlated color temperature (CCT) 4.000 K, Colour rendering index CRI > 90, Rated life time L80/B10 at 25 °C: 50.000 h, Rated life time L80/B50 at 25 °C: 50.000 h, Housing material: Aluminium / Glass / Plastic, Colour: black structure, Permissible ambient temperature (ta): -20 °C up to +25 °C, Protection class (EN 61140): II, Degree of protection (DIN EN 60529): IP20. With electronic driver, DALI-2 dimmable.

Product Benefits

- Recessed light emission with glare rating UGR<19.
- Dimmable version (DALI-2) - also switchable in the same dimensions available.
- Available in 3,000 K, 3,500 K or 4,000 K.
- Available in textured white, textured black and textured silver.
- Available with reflector in silver faceted and in square version (also with reflector in high-gloss silver or faceted).
- Available in a total of 5 sizes.
- Matching reducing ring available (diameter 150 mm, inner hole 68 mm, fixing springs in a pitch circle of 100 mm).
- Also available as a surface-mounted luminaire.
- BEG-eligible (system efficiency > 120 lm / W).


APOLLO MICRO LED downlight, round, DALI

Article no. 40611184DA

Article data	
Article no.	40611184DA
GTIN	4251433992172
Series name	APOLLO MICRO
Short description	LED downlight, round, DALI
Material	Aluminium / Glass / Plastic
Colour	black structure
Type of surface	Structure
Shape	Round
Outer diameter	85 mm
Built-in diameter	68 mm
Installation depth	68 mm
Weight	0.135 kg
D licence plate	No
Conformance	CE, UKCA

Lighting technology	
Colour temperature	4.000 K
Light colour	white
Light output	Direct
Luminous flux	873 lm
System efficiency	125 lm/W
Colour rendering	CRI > 90
Reflector	High-gloss
Reflector colour	silver
Beam angle	55°
Glare evaluation	UGR < 19
Light sharing	Symmetric
Adjustable color temperature	No

Operating technology of the luminaire	
System output	7 W
Voltage type	AC
AC nominal voltage max	230 V
Frequency max	50 Hz
Lamp	LED
Lamp holder	Without fitting
Protection class	II
Degree of protection	IP20
Dimmable	Yes
Control	DALI-2
Bulb change possible	The light source of this luminaire may only be replaced by the manufacturer or a service technician commissioned by him or a similarly qualified person.
Rated life time L80/B10 at 25 °C	50.000 h
Rated life time L80/B50 at 25 °C	50.000 h
Energy efficiency class	not required

Mounting technology	
Mounting method	Recessed mounting
Place of installation	Ceiling-mounted
Adjustability	Not adjustable
Max. ceiling thickness	30 mm
Further references	No cover with thermal insulation material
Material cover	Plastic, transparent
Suitable for through-wiring	Yes, with optional accessories


APOLLO MICRO LED downlight, round, DALI

Article no. 40611184DA

Packing data	
Gross weight	0.173 kg
Length of packaging	85 mm
Packaging width	85 mm
Packaging height	65 mm
Disposal at end of life	<p>This product must not be disposed of with household waste. You are obliged, to dispose of such electrical waste separately.</p> <p>By disposing of electrical waste and other old or defective electronics separately, you support recycling or other forms of re-use. In that way you help to take care and to avoid that harmful substances get into the environment.</p>

Optional accessories	
Article no.: 81123180	Reducing ring for recessed downlight
Dimensions: 150 mm x 1.5 mm	https://www.brumberg.com/fileadmin/products/Datenblatt_81123180_2021_DE.pdf
Article no.: 83331000	Connection box 230 V AC, 5-pole (DALI / 1-10 V)
Dimensions: 90 mm x 52 mm x 30 mm	https://www.brumberg.com/fileadmin/products/Datenblatt_83331000_2021_DE.pdf