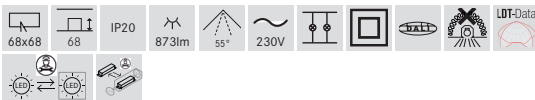
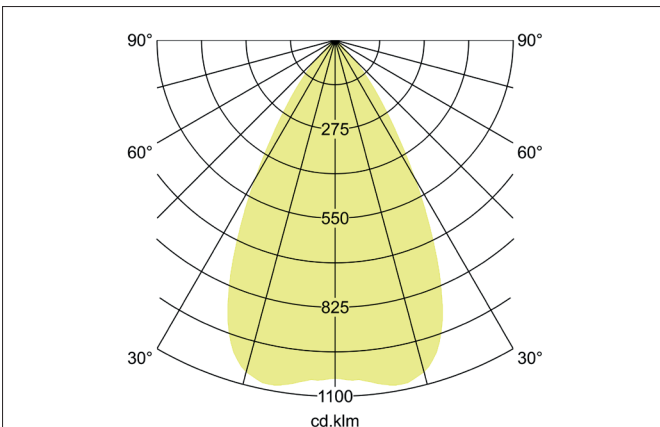
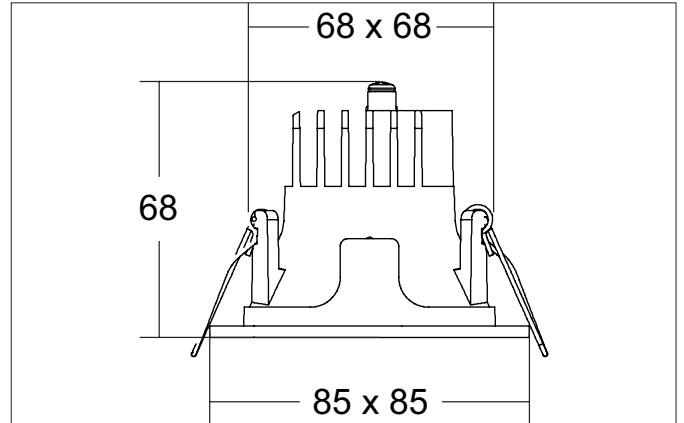
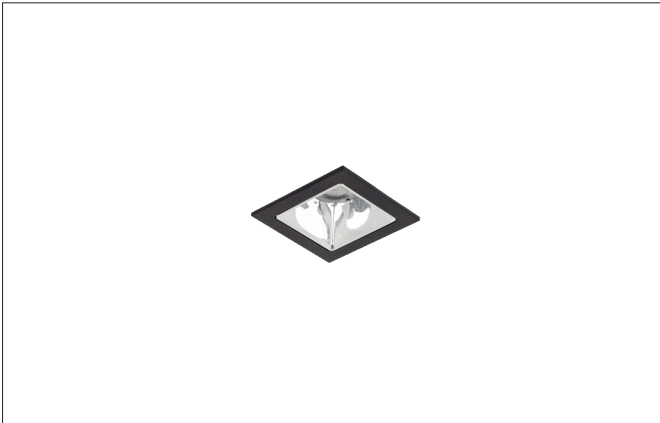




**APOLLO MICRO LED downlight, square, DALI**  
 Article no. 40641184DA



**Tender**  
 LED downlight, square, DALI, Square. Toolless ceiling installation by installation springs. Ceiling cut-out L x W 68 x 68 mm, Installation depth 68 mm, Length 85 mm, Width 85 mm, Weight 0,2 kg, Reflector silver with rotationssymmetrical, deep, wide distributed light intensity. Cover plastic, transparent Luminous flux 873 lm, UGR < 19, Power 1 x 7 W, Light colour neutral white, Correlated color temperature (CCT) 4.000 K, Colour rendering index CRI > 90, Rated life time L80/B10 at 25 °C: 50.000 h, Rated life time L80/B50 at 25 °C: 50.000 h, Housing material: Aluminium / Glass / Plastic, Colour: black structure, Permissible ambient temperature (ta): -20 °C up to +25 °C, Protection class (EN 61140): II, Degree of protection (DIN EN 60529): IP20. With electronic driver, DALI-2 dimmable.


**APOLLO MICRO LED downlight, square, DALI**

Article no. 40641184DA

Article data	
Article no.	40641184DA
GTIN	4251433992189
Series name	APOLLO MICRO
Short description	LED downlight, square, DALI
Material	Aluminium / Glass / Plastic
Colour	black structure
Type of surface	Structure
Shape	Square
Length	85 mm
Width	85 mm
Built-in length	68 mm
Built-in width	68 mm
Installation depth	68 mm
Weight	0.2 kg
D licence plate	No
Conformance	CE, UKCA

Lighting technology	
Colour temperature	4.000 K
Light colour	white
Light output	Direct
Luminous flux	873 lm
System efficiency	125 lm/W
Colour rendering	CRI > 90
Reflector	High-gloss
Reflector colour	silver
Beam angle	55°
Glare evaluation	UGR < 19
Light sharing	Symmetric
Adjustable color temperature	No

Operating technology of the luminaire	
System output	7 W
Voltage type	AC
AC nominal voltage max	230 V
Frequency max	50 Hz
Lamp	LED
Lamp holder	Without fitting
Protection class	II
Degree of protection	IP20
Control	DALI-2
Bulb change possible	The light source of this luminaire may only be replaced by the manufacturer or a service technician commissioned by him or a similarly qualified person.
Rated life time L80/B10 at 25 °C	50.000 h
Rated life time L80/B50 at 25 °C	50.000 h
Energy efficiency class	not required

Mounting technology	
Mounting method	Recessed mounting
Place of installation	Ceiling-mounted
Adjustability	Not adjustable
Further references	No cover with thermal insulation material
Material cover	Plastic, transparent
Suitable for through-wiring	No

**APOLLO MICRO LED downlight, square, DALI**  
Article no. 40641184DA

Packing data	
Gross weight	0.254 kg
Length of packaging	85 mm
Packaging width	85 mm
Packaging height	66 mm
Disposal at end of life	<p>This product must not be disposed of with household waste. You are obliged, to dispose of such electrical waste separately.</p> <p>By disposing of electrical waste and other old or defective electronics separately, you support recycling or other forms of re-use. In that way you help to take care and to avoid that harmful substances get into the environment.</p>