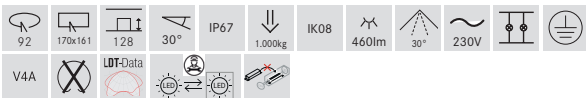
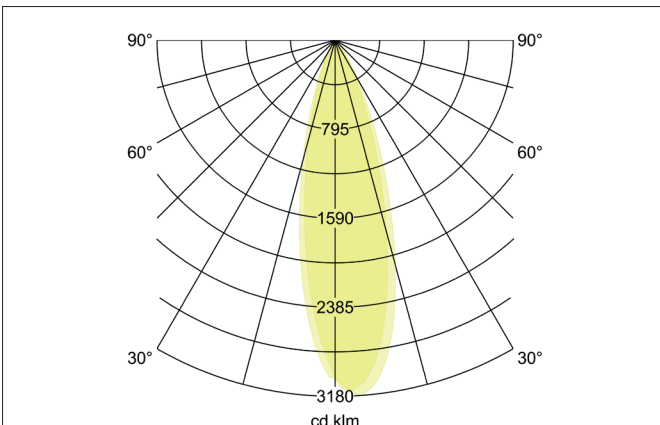
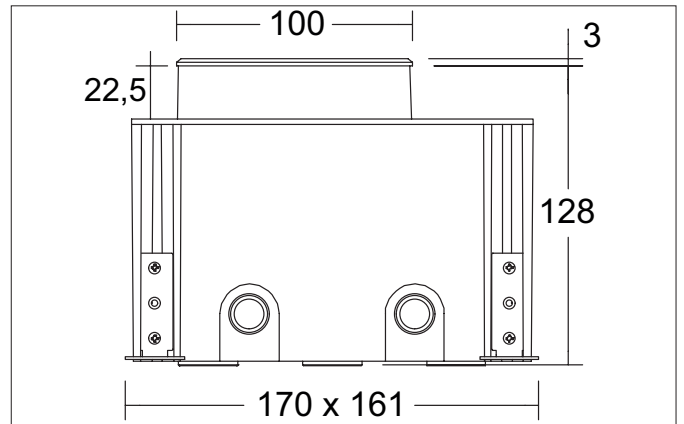




**LANKA-R LED recessed floor light, V4A, IP67, switchable**  
 Article no. 14665223



**Tender**  
 LED recessed floor light, V4A, IP67, switchable, Round. Ceiling cut-out Ø 92 mm, L x W 161 x 170 mm, Installation depth 128 mm, Outer diameter 100 mm, Weight 1,07 kg, Cover glass transparent. Luminous flux 460 lm, Power 1 x 4 W, Light colour warm white, Correlated color temperature (CCT) 3.000 K, Colour rendering index CRI > 80, Rated life time L70/B50 at 25 °C: 50.000 h, Housing material: Stainless steel / Aluminium / Glass, Colour: stainless steel matt, Permissible ambient temperature (ta): -20 to +45°C, Protection class (EN 61140): I, Degree of protection (DIN EN 60529): IP67, shock resistance according to IEC62262: IK08 .With electronic driver, on/off switchable.

**Product Benefits**

- Luminaire can be used as a recessed ceiling or floor light.
- Lens can be tilted 30° in both directions.


**LANKA-R LED recessed floor light, V4A, IP67, switchable**

Article no. 14665223

Article data	
Article no.	14665223
GTIN	4255752500971
Series name	LANKA-R
Short description	LED recessed floor light, V4A, IP67, switchable
Material	Stainless steel / Aluminium / Glass
Colour	stainless steel matt
Shape	Round
Outer diameter	100 mm
Built-in length	161 mm
Built-in width	170 mm
Built-in diameter	92 mm
Installation depth	128 mm
Scope of delivery	incl. converter for connection to 230 V mains voltage, switchable, floor installation pot and 5,000 mm connection cable.
Weight	1.07 kg
Length of the connection line	1,000 mm
Conformance	CE, UKCA

Lighting technology	
Colour temperature	3.000 K
Light colour	white
Light output	Direct
Luminous flux	460 lm
System efficiency	115 lm/W
Colour rendering	CRI > 80
Beam angle	30°
Light sharing	Symmetric/asymmetric
Adjustable color temperature	No

Operating technology of the luminaire	
System output	4 W
Voltage type	AC
AC nominal voltage max	230 V
Frequency max	50 Hz
Lamp	LED
Lamp holder	Without fitting
Protection class	I
Degree of protection	IP67
Ambient temperature	-20 to +45 °C
Dimmable	No
Control	on/off
Length of the connection line	1,000 mm
Bulb change possible	The light source of this luminaire may only be replaced by the manufacturer or a service technician commissioned by him or a similarly qualified person.
Rated life time L70/B50 at 25 °C	50,000 h
Energy efficiency class	not required


**LANKA-R LED recessed floor light, V4A, IP67, switchable**

Article no. 14665223

Mounting technology	
Mounting method	Recessed mounting
Place of installation	Floor-mounted
Adjustability	Pivoted
Swivel angle	30°
Rotation angle	30°
Max. load	1,000 kg
Over rollable	No
Impact resistance	IK08
Further references	V4A
Material cover	Glass transparent
Circlip	Without circlip
Suitable for through-wiring	Yes

Packing data	
Gross weight	1.281 kg
Length of packaging	205 mm
Packaging width	205 mm
Packaging height	160 mm
Disposal at end of life	<p>This product must not be disposed of with household waste. You are obliged, to dispose of such electrical waste separately.</p> <p>By disposing of electrical waste and other old or defective electronics separately, you support recycling or other forms of re-use. In that way you help to take care and to avoid that harmful substances get into the environment.</p>