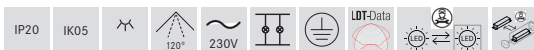
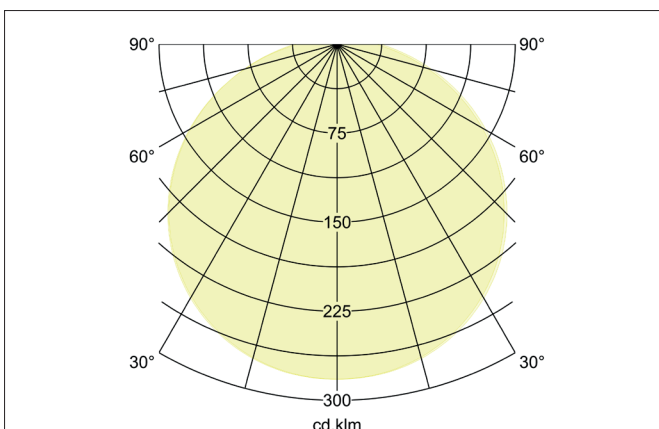
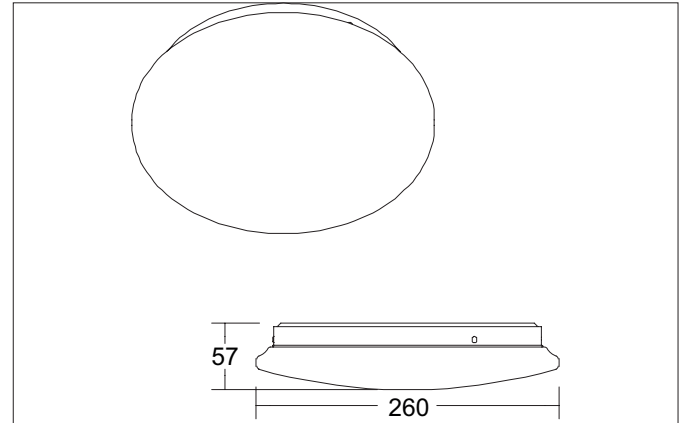



**PANAY MINI LED surface-mounted ceiling downlight, switchable,
with microwave motion sensor**

Article no. 12576073


Tender

LED surface-mounted ceiling downlight, switchable, with microwave motion sensor, Round. Luminaire diameter 260.0 mm, Height 57.0 mm Weight 0.19 kg, with rotationssymmetrical, deep, wide distributed light intensity. Cover plastic, opal Luminous flux 1.100 lm, Power 1 x 13 W, Light colour warm white, Correlated color temperature (CCT) 3.000 K, Colour rendering index CRI > 80, Rated life time L70/B50 at 25 °C: 50.000 h, Housing material: Steel / Plastic, Colour: white glossy, Permissible ambient temperature (ta): -20 °C up to +25 °C, Protection class (EN 61140): I, Degree of protection (DIN EN 60529): IP20, shock resistance according to IEC62262: IK05. With electronic driver, on/off switchable.

Product Benefits

- Attractively priced surface-mounted ceiling or wall light in round design.
- Version 3,000 K, switchable, with microwave sensor.
- Three different sizes available.
- Also available in 3CCT version (3,000 K / 4,000 K / 6,000 K) and phase cut-off dimmable available.


**PANAY MINI LED surface-mounted ceiling downlight, switchable,
 with microwave motion sensor**

Article no. 12576073

Article data	
Article no.	12576073
GTIN	4255752500650
Series name	PANAY MINI
Short description	LED surface-mounted ceiling downlight, switchable, with microwave motion sensor
Material	Steel / Plastic
Colour	white glossy
Type of surface	Glossy
Shape	Round
Outer diameter	260 mm
Height	57 mm
Scope of delivery	incl. converter for connection to 230 V mains voltage, switchable and microwave motion sensor
Weight	0.19 kg
D licence plate	No
Conformance	CE, UKCA

Lighting technology	
Colour temperature	3.000 K
Light colour	white
Light output	Direct
Luminous flux	1,100 lm
System efficiency	85 lm/W
Colour rendering	CRI > 80
Beam angle	120°
Light sharing	Symmetric
Adjustable color temperature	No

Operating technology of the luminaire	
System output	13 W
Voltage type	AC
AC nominal voltage max	230 V
Frequency max	50 Hz
Lamp	LED
Protection class	I
Degree of protection	IP20
Dimmable	No
Control	on/off
Bulb change possible	The light source of this luminaire may only be replaced by the manufacturer or a service technician commissioned by him or a similarly qualified person.
Rated life time L70/B50 at 25 °C	50,000 h
Energy efficiency class	not required

Mounting technology	
Mounting method	Surface mounting
Place of installation	Ceiling-mounted
Adjustability	Not adjustable
Impact resistance	IK05
Material cover	Plastic, opal
Suitable for through-wiring	Yes



BRUMBERG

Light. Since 1873.

PANAY MINI LED surface-mounted ceiling downlight, switchable, with microwave motion sensor

Article no. 12576073

Packing data	
Gross weight	0.23 kg
Length of packaging	270 mm
Packaging width	270 mm
Packaging height	65 mm
Disposal at end of life	<p>This product must not be disposed of with household waste. You are obliged, to dispose of such electrical waste separately.</p> <p>By disposing of electrical waste and other old or defective electronics separately, you support recycling or other forms of re-use. In that way you help to take care and to avoid that harmful substances get into the environment.</p>