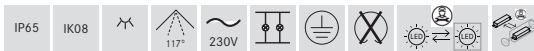
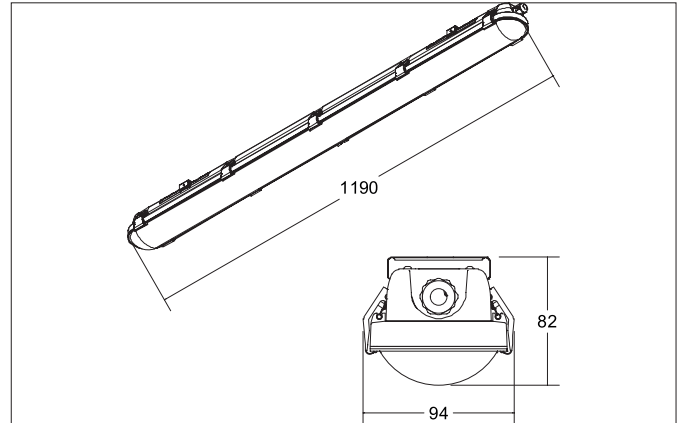




**HUMID ONE LED-Feuchtraum-Wannenleuchte 1.190 mm, mit 3 Std. Notlichtakku, schaltbar**  
 Article no. 78914114


**Tender**

LED-Feuchtraum-Wannenleuchte 1.190 mm, mit 3 Std. Notlichtakku, schaltbar, Rectangular. Luminaire length 1190.0 mm, Luminaire width 94.0 mm, Height 82.0 mm Weight 1.835 kg, with rotationssymmetrical, deep, wide distributed light intensity. Cover polycarbonat clear. Luminous flux 2.625 lm, Power 1 x 21 W, Light colour neutral white, Correlated color temprature (CCT) 4.000 K, Colour rendering index CRI > 80, Rated life time L70/B50 at 25 °C: 50.000 h, Rated life time L80/B50 at 25 °C: 50.000 h, Housing material: Polycarbonate / Stainless steel, Colour: grey, Permissible ambient temperature (ta): 5 °C to +40 °C, Protection class (EN 61140): I, Degree of protection (DIN EN 60529): IP65, shock resistance according to IEC62262: IK08 .With electronic driver, on/off switchable.


**HUMID ONE LED-Feuchtraum-Wannenleuchte 1.190 mm, mit 3**
**Std. Notlichtakku, schaltbar**

Article no. 78914114

Article data	
Article no.	78914114
GTIN	4255752522942
Series name	HUMID ONE
Short description	LED-Feuchtraum-Wannenleuchte 1.190 mm, mit 3 Std. Notlichtakku, schaltbar
Material	Polycarbonate / Stainless steel
Colour	grey
Type of surface	Matt
Shape	Rectangular
Length	1,190 mm
Width	94 mm
Hight	82 mm
Scope of delivery	<p>Lieferung: inkl. Konverter zum Anschluss an 230 V-Netzspannung, schaltbar</p> <p>Lieferung inkl. Montagezubehör-Set bestehend aus:</p> <ul style="list-style-type: none"> <li>- 4 x Sicherungsschrauben für Cliphalter,</li> <li>- 2 x Sicherungsschrauben und Muttern für Universal Montagehalter,</li> <li>- 4 x (78012/78013 = 2 x) Montageschrauben und Dübel,</li> <li>- 2 x Universal Montagehalter für Wand-, Decken- oder Pendelmontage (benötigte Laschen zum Einhängen in den Montagehalter im Lieferumfang).</li> <li>- 1 x IP65-Kabelverschraubung PG13,5 (Kabeldurchmesser Ø 6 - 12 mm)</li> </ul>
Weight	1.835 kg
D licence plate	No
Conformance	CE

Lighting technology	
Colour temperature	4.000 K
Light colour	white
Light output	Direct
Luminous flux	2,625 lm
Luminous flux in emergency lighting mode	425 lm
System efficiency	125 lm/W
McAdam-Step	McAdam-Step 5
Colour rendering	CRI > 80
Beam angle	117°
Light sharing	Symmetric
Adjustable color temperature	No


**HUMID ONE LED-Feuchtraum-Wannenleuchte 1.190 mm, mit 3**
**Std. Notlichtakku, schaltbar**

Article no. 78914114

Operating technology of the luminaire	
System output	21 W
Voltage type	AC
AC nominal voltage min	198 V
AC nominal voltage max	264 V
Frequency max	60 Hz
Frequency min	50 Hz
Lamp	LED
Lamp holder	Without fitting
Protection class	I
Degree of protection	IP65
Ambient temperature	5 °C to +40 °C
Dimmable	No
Control	on/off
Bulb change possible	The light source of this luminaire may only be replaced by the manufacturer or a service technician commissioned by him or a similarly qualified person.
Glow wire test according to IEC 60695-2-12	850°C - 5s
Rated life time L70/B50 at 25 °C	50,000 h
Rated life time L80/B50 at 25 °C	50.000 h
Energy efficiency class	not required
max. no. lights on B16 A	34
max. no. lights on C16 A	54

Operating technology of emergency light	
Battery type	LiFePO4
Function	Escape route lighting
Electric feeding	decentralised (single battery)
Nominal operating time at BLF 100 %	3 h
Monitoring device	Automatic self-test

Operating technology of driver	
--------------------------------	--

Operating technology of driver	
AC nominal voltage min	198 V
AC nominal voltage max	264 V
Frequency min	50 Hz
Frequency max	60 Hz
Protection class	I
Degree of protection	IP65
Power	21 W
Starting current	21,7 A
Suitable for emergency lighting	Yes
Ambient temperature	5 °C to +40 °C
max. no. lights on B16 A	34
max. no. lights on C16 A	54
Control	on/off
Connection type-primary	Connection box
Number of poles	3
Flicker-free	Yes
Switching cycles	50000
Output current	200 mA


**HUMID ONE LED-Feuchtraum-Wannenleuchte 1.190 mm, mit 3 Std. Notlichtakku, schaltbar**  
 Article no. 78914114

Mounting technology	
Mounting method	Surface mounting
Place of installation	Ceiling-/Wall-/Pendant-mounted
Adjustability	Not adjustable
Impact resistance	IK08
Material cover	Polycarbonat clear
Circlip	Without circlip
Suitable for through-wiring	Yes, with optional accessories

Packing data	
Gross weight	1.943 kg
Length of packaging	1,200 mm
Packaging width	103 mm
Packaging height	83 mm
Disposal at end of life	This product must not be disposed of with household waste. You are obliged, to dispose of such electrical waste separately. By disposing of electrical waste and other old or defective electronics separately, you support recycling or other forms of re-use. In that way you help to take care and to avoid that harmful substances get into the environment.

Optional accessories	
Article no.: 81011120 Through-wiring, 3-pole, length 1,200 mm, for 78012 / 78014  Dimensions: 1,190 mm <a href="https://www.brumberg.com/fileadmin/products/Datenblatt_81011120_2021_DE.pdf">https://www.brumberg.com/fileadmin/products/Datenblatt_81011120_2021_DE.pdf</a>	
Article no.: 81011050 Mounting accessories set for HUMID ONE, for width: 94 mm  <a href="https://www.brumberg.com/fileadmin/products/Datenblatt_81011050_2021_DE.pdf">https://www.brumberg.com/fileadmin/products/Datenblatt_81011050_2021_DE.pdf</a>	