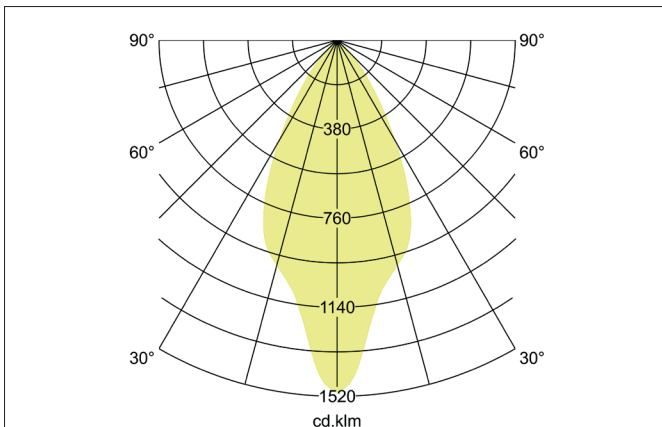
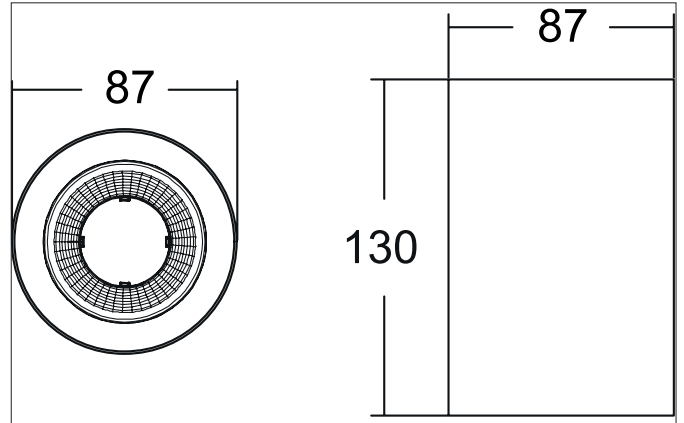




APOLLO MICRO LED downlight, reflector faceted, DALI dimmable

Article no. 43611183DA



Tender
 LED downlight, reflector faceted, DALI dimmable, Round. Luminaire diameter 87.0 mm, Height 130.0 mm Weight 0.507 kg, Reflector silver with rotationssymmetrical, deep, wide distributed light intensity. Cover plastic, transparent Luminous flux 893 lm, UGR < 19, Power 1 x 7 W, Light colour warm white, Correlated color temperature (CCT) 3.000 K, Colour rendering index CRI > 90, Rated life time L80/B10 at 25 °C: 50.000 h, Housing material: Aluminium / Glass / Plastic, Colour: black structure, Permissible ambient temperature (ta): -20 °C up to +25 °C, Protection class (EN 61140): I, Degree of protection (DIN EN 60529): IP20. With electronic driver, DALI-2 dimmable.

| Article data | |
|-------------------|---|
| Article no. | 43611183DA |
| GTIN | 4255752506881 |
| Series name | APOLLO MICRO |
| Short description | LED downlight, reflector faceted, DALI dimmable |
| Material | Aluminium / Glass / Plastic |
| Colour | black structure |
| Type of surface | Structure |
| Shape | Round |
| Outer diameter | 87 mm |
| Height | 130 mm |
| Weight | 0.507 kg |
| D licence plate | No |
| Conformance | CE, UKCA |


APOLLO MICRO LED downlight, reflector faceted, DALI dimmable

Article no. 43611183DA

| Lighting technology | |
|------------------------------|---------------|
| Colour temperature | 3.000 K |
| Light colour | white |
| Light output | Direct |
| Luminous flux | 893 lm |
| System efficiency | 128 lm/W |
| McAdam-Step | McAdam-Step 3 |
| Colour rendering | CRI > 90 |
| Reflector | Faceted |
| Reflector colour | silver |
| Beam angle | 55° |
| Glare evaluation | UGR < 19 |
| Light sharing | Symmetric |
| Adjustable color temperature | No |

| Operating technology of the luminaire | |
|---------------------------------------|--|
| System output | 7 W |
| Voltage type | AC |
| AC nominal voltage max | 230 V |
| Frequency max | 50 Hz |
| Lamp | LED |
| Lamp holder | LED |
| Protection class | I |
| Degree of protection | IP20 |
| Control | DALI-2 |
| Bulb change possible | The light source of this luminaire may only be replaced by the manufacturer or a service technician commissioned by him or a similarly qualified person. |
| Rated life time L80/B10 at 25 °C | 50.000 h |
| Energy efficiency class | not required |

| Mounting technology | |
|-----------------------------|----------------------|
| Mounting method | Surface mounting |
| Place of installation | Ceiling-mounted |
| Adjustability | Not adjustable |
| Material cover | Plastic, transparent |
| Suitable for through-wiring | No |

| Packing data | |
|-------------------------|---|
| Gross weight | 0.608 kg |
| Length of packaging | 220 mm |
| Packaging width | 105 mm |
| Packaging height | 110 mm |
| Disposal at end of life | This product must not be disposed of with household waste. You are obliged, to dispose of such electrical waste separately. By disposing of electrical waste and other old or defective electronics separately, you support recycling or other forms of re-use. In that way you help to take care and to avoid that harmful substances get into the environment. |