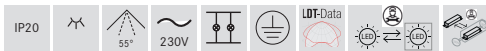
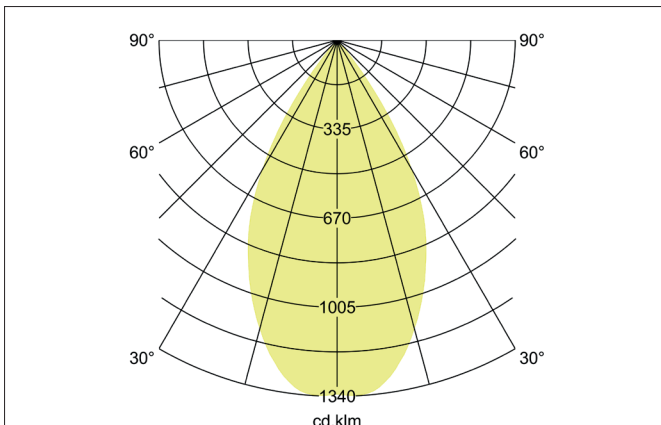
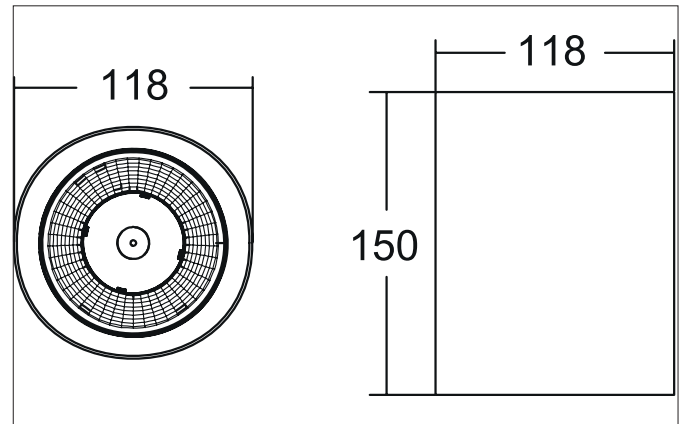


**APOLLO MINI LED downlight, reflector faceted, on/off**

Article no. 43612164

**Tender**

LED downlight, reflector faceted, on/off, Round. Luminaire diameter 118.0 mm, Height 150.0 mm, Weight 0.768 kg, Reflector silver with rotationssymmetrical, deep, wide distributed light intensity. Cover plastic, transparent. Luminous flux 1.385 lm, UGR < 19, Power 1 x 10,5 W, Light colour neutral white, Correlated color temperature (CCT) 4.000 K, Colour rendering index CRI > 90, Rated life time L80/B10 at 25 °C: 50.000 h, Housing material: Aluminium / Glass / Plastic, Colour: silver structure, Permissible ambient temperature (ta): -20 °C up to +25 °C, Protection class (EN 61140): I, Degree of protection (DIN EN 60529): IP20. With electronic driver, on/off switchable.

Article data	
Article no.	43612164
GTIN	4255752505372
Series name	APOLLO MINI
Short description	LED downlight, reflector faceted, on/off
Material	Aluminium / Glass / Plastic
Colour	silver structure
Type of surface	Structure
Shape	Round
Outer diameter	118 mm
Height	150 mm
Weight	0.768 kg
D licence plate	No
Conformance	CE, UKCA


APOLLO MINI LED downlight, reflector faceted, on/off

Article no. 43612164

Lighting technology	
Colour temperature	4.000 K
Light colour	white
Light output	Direct
Luminous flux	1,385 lm
System efficiency	132 lm/W
McAdam-Step	McAdam-Step 3
Colour rendering	CRI > 90
Reflector	Faceted
Reflector colour	silver
Beam angle	55°
Glare evaluation	UGR < 19
Light sharing	Symmetric
Adjustable color temperature	No

Operating technology of the luminaire	
System output	10.5 W
Voltage type	AC
AC nominal voltage max	230 V
Frequency max	50 Hz
Lamp	LED
Lamp holder	LED
Protection class	I
Degree of protection	IP20
Control	on/off
Bulb change possible	The light source of this luminaire may only be replaced by the manufacturer or a service technician commissioned by him or a similarly qualified person.
Rated life time L80/B10 at 25 °C	50.000 h
Energy efficiency class	not required

Mounting technology	
Mounting method	Surface mounting
Place of installation	Ceiling-mounted
Adjustability	Not adjustable
Material cover	Plastic, transparent
Suitable for through-wiring	No

Packing data	
Gross weight	0.944 kg
Length of packaging	175 mm
Packaging width	175 mm
Packaging height	155 mm
Disposal at end of life	This product must not be disposed of with household waste. You are obliged, to dispose of such electrical waste separately. By disposing of electrical waste and other old or defective electronics separately, you support recycling or other forms of re-use. In that way you help to take care and to avoid that harmful substances get into the environment.