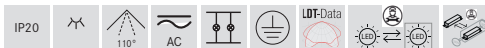
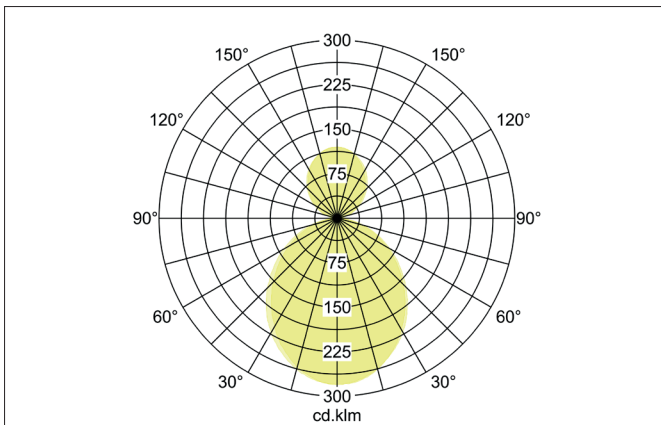
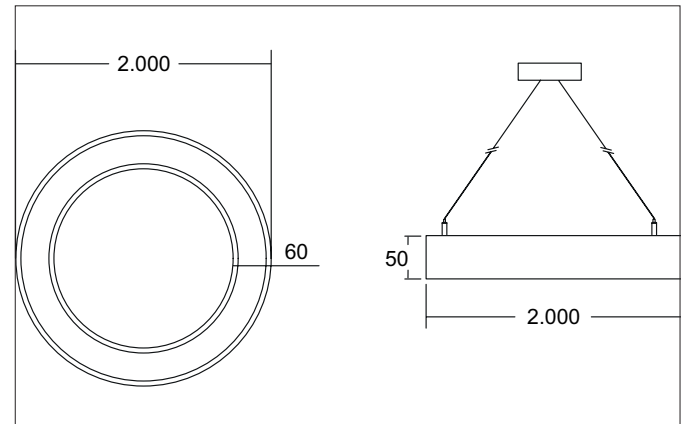



**BIRO CIRCLE LED pendant ring luminaire, direct/indirect, dimmable**

Article no. 13856189CA


**Tender**

LED pendant ring luminaire, direct/indirect, dimmable, Round. Luminaire diameter 2000.0 mm, Height 50.0 mm, for pendulum mounting. Pendulum length max. 5000.0 mm Weight 15.0 kg, with rotationssymmetrical, deep, wide distributed light intensity. Cover plastic, opalLuminous flux 23.625 - 24.427 lm, Power 1 x 210 W, Light colour warm white to daylight white, Correlated color temperature (CCT) 2.700 - 6.500 K, Colour rendering index CRI > 90, Rated life time L70/B50 at 25 °C: 276.000 h, Rated life time L80/B20 at 25 °C: 153.000 h, Housing material: Aluminium / Steel / Plastic, Colour: black structure, Permissible ambient temperature (ta): -20 °C up to +25 °C, Protection class (EN 61140): I, Degree of protection (DIN EN 60529): IP20. With electronic driver, Casambi dimmable.

Article data	
Article no.	13856189CA
GTIN	4251433969129
Series name	BIRO CIRCLE
Short description	LED pendant ring luminaire, direct/indirect, dimmable
Material	Aluminium / Steel / Plastic
Colour	black structure
Type of surface	Structure
Shape	Round
Outer diameter	2000 mm
Height	50 mm
Scope of delivery	incl. converter for connection to 230 V mains voltage
Weight	15 kg
Length of the connection line	5,000 mm
D licence plate	No
Conformance	CE, UKCA


**BIRO CIRCLE LED pendant ring luminaire, direct/indirect, dimmable**

Article no. 13856189CA

Lighting technology	
Colour temperature	2.700 K - 6.500 K
Light colour	white
Light output	Direct/Indirect
Luminous flux	23,625 - 24,427 lm
Luminous flux component (direct / indirect)	70/30 %
System efficiency	116 lm/W
McAdam-Step	McAdam-Step 3
Colour rendering	CRI > 90
Reflector	Without
Beam angle	110°
Light sharing	Symmetric
Adjustable color temperature	No

Operating technology of the luminaire	
System output	210 W
Voltage type	AC/DC
AC nominal voltage max	230 V
Frequency max	50 Hz
Lamp	LED
Lamp holder	Without fitting
Protection class	I
Degree of protection	IP20
Dimmable	Yes
Control	Casambi
Length of the connection line	5,000 mm
Bulb change possible	The light source of this luminaire may only be replaced by the manufacturer or a service technician commissioned by him or a similarly qualified person.
Rated life time L70/B50 at 25 °C	276,000 h
Rated life time L80/B20 at 25 °C	153.000 h
Rated life time L90/B10 at 25 °C	74.000 h
Energy efficiency class	not required

Mounting technology	
Mounting method	Suspended
Place of installation	Ceiling-mounted
Adjustability	Not adjustable
Pendulum length max.	5,000 mm
Pendant length single suspension	500 - 5.000 mm
Pendulum length centre canopy	1000 - 10000 mm
Number of cable suspensions	6
Material cover	Plastic, opal

Packing data	
Gross weight	17 kg
Length of packaging	2,030 mm
Packaging width	2,030 mm
Packaging height	60 mm
Disposal at end of life	This product must not be disposed of with household waste. You are obliged, to dispose of such electrical waste separately. By disposing of electrical waste and other old or defective electronics separately, you support recycling or other forms of re-use. In that way you help to take care and to avoid that harmful substances get into the environment.