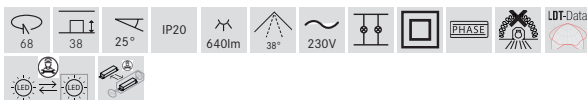
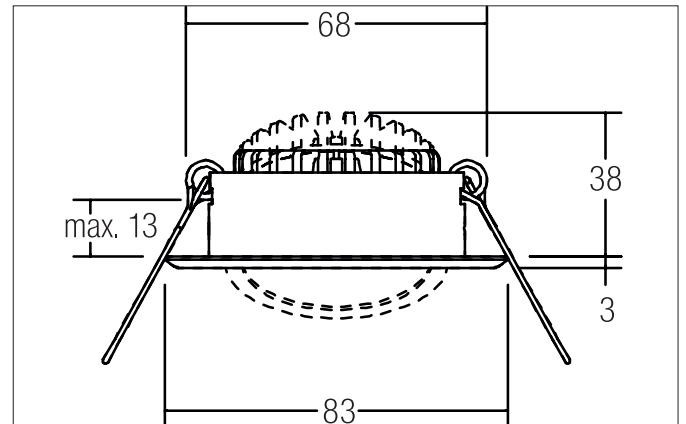




BB09 LED recessed spotlight set, trailing-edge phase dimmer, with connection box

Article no. 39469223



Tender
 LED recessed spotlight set, trailing-edge phase dimmer, with connection box, Round. Toolless ceiling installation by installation springs. Ceiling cut-out Ø 68 mm, Installation depth 38 mm, Outer diameter 83 mm, Weight 0,186 kg, Reflector silver with rotationssymmetrical, deep, wide distributed light intensity. Cover plastic, transparent Luminous flux 640 lm, Power 1 x 6 W, Light colour warm white, Correlated color temperature (CCT) 3.000 K, Colour rendering index CRI > 80, Housing material: Stainless steel / Aluminium / Plastic, Colour: stainless steel matt, Permissible ambient temperature (ta): -20 °C up to +25 °C, Protection class (EN 61140): II, Degree of protection (DIN EN 60529): IP20. With electronic driver, Trailing-edge phase dimmable.

Product Benefits

- Recessed spotlight in round design made of V2A stainless steel for LED retrofit lamps with GU10 / GZ10 base.
- Incl. bracket for standard-compliant strain relief.
- Ceiling cut-out 68 mm, diameter 83 mm, installation depth 125 mm, IP20.
- Pivoting range 25°.
- Version: with snap ring.
- Classic, formally restrained design.
- Also available as a GX5.3 version with the same look.


**BB09 LED recessed spotlight set, trailing-edge phase dimmer,
 with connection box**

Article no. 39469223

Article data	
Article no.	39469223
GTIN	4251433996828
Series name	BB09
Short description	LED recessed spotlight set, trailing-edge phase dimmer, with connection box
Material	Stainless steel / Aluminium / Plastic
Colour	stainless steel matt
Type of surface	Matt
Shape	Round
Outer diameter	83 mm
Built-in diameter min.	65 mm
Built-in diameter max.	68 mm
Installation depth	38 mm
Hight	3 mm
Scope of delivery	incl. connection box, 3-pole
Weight	0.186 kg
D licence plate	No
Conformance	CE, UKCA

Lighting technology	
Colour temperature	3.000 K
Light colour	white
Light output	Direct
Luminous flux	640 lm
System efficiency	107 lm/W
Colour rendering	CRI > 80
Reflector	Faceted
Reflector colour	silver
Beam angle	38°
Light sharing	Symmetric
Adjustable color temperature	No

Operating technology of the luminaire	
Outer diameter	83 mm
Power	6 W
Current	350 mA
Lamp	LED not changeable
Protection class	III
Degree of protection	IP20
Bulb change possible	The light source of this luminaire may only be replaced by the manufacturer or a service technician commissioned by him or a similarly qualified person.


**BB09 LED recessed spotlight set, trailing-edge phase dimmer,
with connection box**

Article no. 39469223

Operating technology of driver	
Article No. of used driver	17663020
Length	110 mm
Width	50 mm
Hight	19 mm
AC nominal voltage min	198 V
AC nominal voltage max	264 V
Frequency max	60 Hz
Dimmable	Yes
Control	Trailing-edge phase
Starting current	1 A, 15,2 μ s
Power min	2.8 W
Power	7 W
Output current	350 mA
Degree of protection	IP20
Protection class	II
Flicker-free	Yes

Mounting technology	
Mounting method	Recessed mounting
Place of installation	Ceiling-mounted
Adjustability	Pivoted
Swivel angle	25°
Max. ceiling thickness	13 mm
Further references	No cover with thermal insulation material
Material cover	Plastic, transparent
Suitable for through-wiring	Yes

Packing data	
Gross weight	0.223 kg
Length of packaging	95 mm
Packaging width	75 mm
Packaging hight	95 mm
Disposal at end of life	This product must not be disposed of with household waste. You are obliged, to dispose of such electrical waste separately. By disposing of electrical waste and other old or defective electronics separately, you support recycling or other forms of re-use. In that way you help to take care and to avoid that harmful substances get into the environment.

Optional accessories	
Article no.: 81204420 Reducing ring D = 110 mm, for luminaire cut-out dimension = 68 mm	https://www.brumberg.com/fileadmin/products/Datenblatt_81204420_2021_DE.pdf
Article no.: 81205420 Reducing ring D = 130 mm, for luminaire cut-out dimension = 68 mm	https://www.brumberg.com/fileadmin/products/Datenblatt_81205420_2021_DE.pdf
Article no.: 81206420 Reducing ring D = 145 mm, for luminaire cut-out dimension = 68 mm	https://www.brumberg.com/fileadmin/products/Datenblatt_81206420_2021_DE.pdf