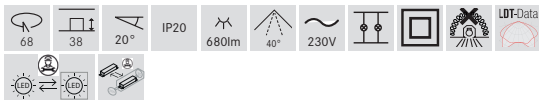
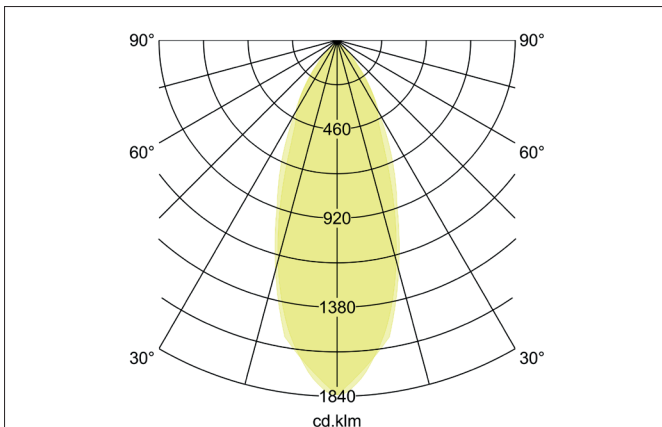
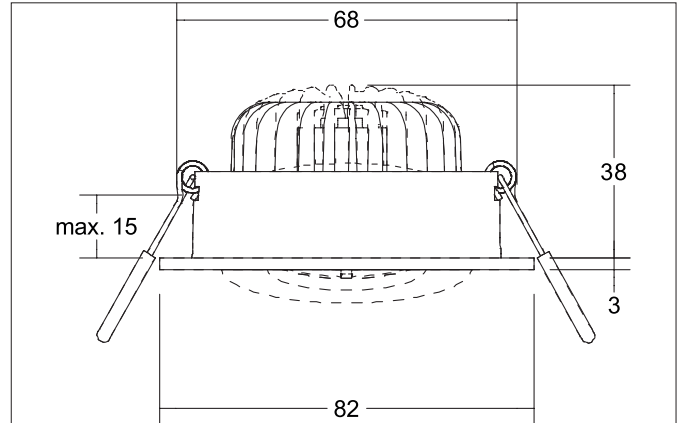




BB34 LED recessed spotlight set, switchable, with connection box

Article no. 38478183



Tender
LED recessed spotlight set, switchable, with connection box, Round. Toolless ceiling installation by installation springs. Ceiling cut-out Ø 68 mm, Installation depth 38 mm, Outer diameter 82 mm, Weight 0,226 kg, Reflector silver with rotationssymmetrical, deep, wide distributed light intensity. Cover polycarbonat clear Luminous flux 680 lm, Power 1 x 7 W, Light colour warm white, Correlated color temperature (CCT) 3.000 K, Colour rendering index CRI > 80, Rated life time L70/B50 at 25 °C: 30.000 h, Housing material: Aluminium / Polycarbonate, Colour: black structure, Permissible ambient temperature (ta): -20 °C up to +25 °C, Protection class (EN 61140): II, Degree of protection (DIN EN 60529): IP20. With electronic driver, on/off switchable.

Product Benefits

- LED recessed spotlight in round design made of solid aluminum with LED module 7 W (3,000 K) and switchable converter.
- Ceiling cut-out 68 mm, diameter 82 mm, installation depth 38 mm, IP20.
- Pivoting range 20°.
- Without visible snap ring.
- Classic, formally restrained design.
- Also available as a dimmable set (trailing edge or DALI) with the same look.
- Also available with the same surface structure and in the same color also available in a square version.


BB34 LED recessed spotlight set, switchable, with connection box

Article no. 38478183

| Article data | |
|------------------------|---|
| Article no. | 38478183 |
| GTIN | 4251433997269 |
| Series name | BB34 |
| Short description | LED recessed spotlight set, switchable, with connection box |
| Material | Aluminium / Polycarbonate |
| Colour | black structure |
| Type of surface | Structure |
| Shape | Round |
| Outer diameter | 82 mm |
| Built-in diameter min. | 67 mm |
| Built-in diameter max. | 68 mm |
| Installation depth | 38 mm |
| Hight | 3 mm |
| Scope of delivery | incl. connection box, 3-pole |
| Weight | 0.226 kg |
| D licence plate | No |
| Conformance | CE, UKCA |

| Lighting technology | |
|------------------------------|-----------|
| Colour temperature | 3.000 K |
| Light colour | white |
| Light output | Direct |
| Luminous flux | 680 lm |
| System efficiency | 97 lm/W |
| Colour rendering | CRI > 80 |
| Reflector | Faceted |
| Reflector colour | silver |
| Beam angle | 40° |
| Light sharing | Symmetric |
| Adjustable color temperature | No |

| Operating technology of the luminaire | |
|---------------------------------------|----------|
| Outer diameter | 82 mm |
| Power | 6 W |
| Voltage type | DC |
| Current | 350 mA |
| Lamp | LED |
| Protection class | III |
| Degree of protection | IP20 |
| Rated life time L70/B50 at 25 °C | 30,000 h |

| Operating technology of driver | |
|--------------------------------|-------------|
| Article No. of used driver | 17662010 |
| Width | 35 mm |
| Hight | 21 mm |
| AC nominal voltage min | 90 V |
| AC nominal voltage max | 264 V |
| Frequency max | 60 Hz |
| Dimmable | No |
| Control | on/off |
| Starting current | 40 A, 50 µs |
| Power min | 1 W |
| Power | 7.2 W |
| Output current | 350 mA |
| Degree of protection | IP20 |
| Protection class | II |
| Flicker-free | Yes |


BB34 LED recessed spotlight set, switchable, with connection box

Article no. 38478183

| Mounting technology | |
|-----------------------------|---|
| Mounting method | Recessed mounting |
| Place of installation | Ceiling-mounted |
| Adjustability | Pivoted |
| Swivel angle | 20° |
| Max. ceiling thickness | 15 mm |
| Further references | No cover with thermal insulation material |
| Material cover | Polycarbonat clear |
| Suitable for through-wiring | Yes |

| Packing data | |
|-------------------------|---|
| Gross weight | 0.277 kg |
| Length of packaging | 100 mm |
| Packaging width | 100 mm |
| Packaging height | 100 mm |
| Disposal at end of life | This product must not be disposed of with household waste. You are obliged, to dispose of such electrical waste separately. By disposing of electrical waste and other old or defective electronics separately, you support recycling or other forms of re-use. In that way you help to take care and to avoid that harmful substances get into the environment. |

| Optional accessories | |
|---|--|
| Article no.: 81201180 Reducing ring D 110 mm, for luminaire cut-out size 68 mm | |
| Dimensions: 110 mm https://www.brumberg.com/fileadmin/products/Datenblatt_81201180_2021_DE.pdf | |
| Article no.: 81202180 Reducing ring D 130 mm, for luminaire cut-out size 68 mm | |
| Dimensions: 130 mm https://www.brumberg.com/fileadmin/products/Datenblatt_81202180_2021_DE.pdf | |
| Article no.: 81203180 Reducing ring D 145 mm, for luminaire cut-out size 68 mm | |
| Dimensions: 145 mm https://www.brumberg.com/fileadmin/products/Datenblatt_81203180_2021_DE.pdf | |