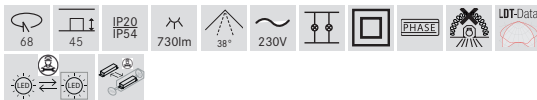
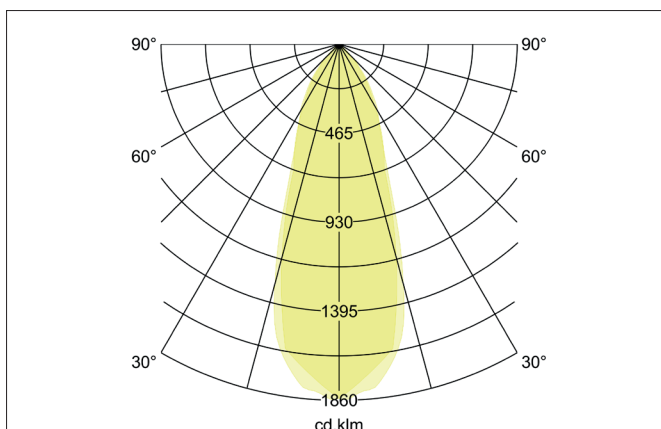
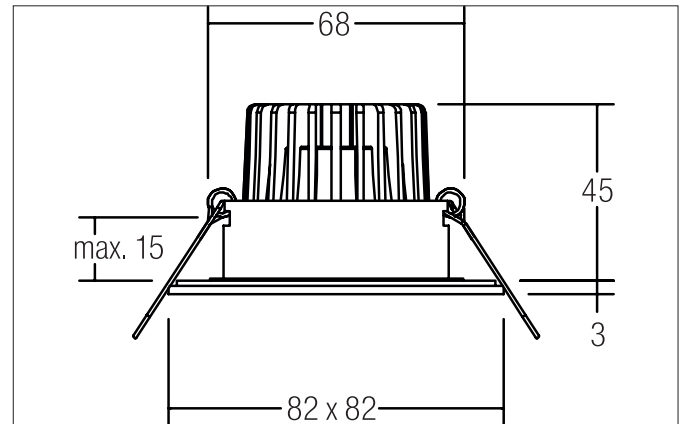



ITANSA-S BB16 LED recessed downlight set, V4A, IP54, trailing-edge phase dimmable, incl. connection box

Article no. 39476083


Tender

LED recessed downlight set, V4A, IP54, trailing-edge phase dimmable, incl. connection box, Square. Toolless ceiling installation by installation on springs. Ceiling cut-out Ø 68 mm, Installation depth 45 mm, Length 82 mm, Width 82 mm, Weight 0,346 kg, Reflector silver with rotationssymmetrical, deep, wide distributed light intensity. Cover glass transparent Luminous flux 730 lm, Power 1 x 6 W, Light colour warm white, Correlated color temperature (CCT) 3.000 K, Colour rendering index CRI > 80, Rated life time L80/B20 at 25 °C: 50.000 h, Housing material: Stainless steel V4A / Aluminium / Glass / Plastic, Colour: black matt, Permissible ambient temperature (ta): -20 °C up to +25 °C, Protection class (EN 61140): II, Degree of protection (DIN EN 60529): IP54. With electronic driver, Trailing-edge phase dimmable.

Product Benefits

- LED-Einbaudownlight in quadratischer Bauform aus massivem Edelstahl V4A mit LED-Modul 6 W (3.000 K) und dimmbarem Konverter (Phasenabschnitt).
- Auslieferung mit 3-poliger Anschlussbox.
- Deckenausschnitt 68 mm, Länge 82 mm, Breite 82 mm, Einbautiefe 45 mm, IP54 (bei Einbau in geschlossenen Decken).
- Ohne sichtbaren Sprengling.
- Klassische, formal zurückgenommene Formgebung.
- In gleicher Optik auch in GX5,3- oder GU10-Ausführung und als schaltbares oder dimmbares Set DALI lieferbar.
- Zudem in gleicher Oberflächenstruktur und in gleicher Farbe auch in Ausführung rund verfügbar.


ITANSA-S BB16 LED recessed downlight set, V4A, IP54, trailing-edge phase dimmable, incl. connection box

Article no. 39476083

Article data	
Article no.	39476083
GTIN	4251433957706
Series name	ITANSA-S BB16
Short description	LED recessed downlight set, V4A, IP54, trailing-edge phase dimmable, incl. connection box
Material	Stainless steel V4A / Aluminium / Glass / Plastic
Colour	black matt
Type of surface	Matt
Shape	Square
Length	82 mm
Width	82 mm
Built-in diameter min.	65 mm
Built-in diameter max.	68 mm
Installation depth	45 mm
Hight	3 mm
Scope of delivery	incl. connection box, 3-pole
Weight	0.346 kg
D licence plate	No
Conformance	CE, UKCA

Lighting technology	
Colour temperature	3.000 K
Light colour	white
Light output	Direct
Luminous flux	730 lm
System efficiency	122 lm/W
Colour rendering	CRI > 80
Reflector	Faceted
Reflector colour	silver
Beam angle	38°
Light sharing	Symmetric
Adjustable color temperature	No

Operating technology of the luminaire	
Article No. of used light source	12924383
Hight	32 mm
Outer diameter	50 mm
Lamp holder	Plug&Play
Power	6 W
Voltage type	DC
Current	350 mA
Lamp	LED
Protection class	III
Degree of protection	IP20
Energy efficiency class	D
Bulb change possible	The light source of this luminaire may only be replaced by the manufacturer or a service technician commissioned by him or a similarly qualified person.


ITANSA-S BB16 LED recessed downlight set, V4A, IP54, trailing-edge phase dimmable, incl. connection box

Article no. 39476083

Operating technology of driver	
Article No. of used driver	17663020
Length	110 mm
Width	50 mm
Hight	19 mm
AC nominal voltage min	198 V
AC nominal voltage max	264 V
Frequency max	60 Hz
Dimmable	Yes
Control	Trailing-edge phase
Starting current	1 A, 15,2 μ s
Power min	2.8 W
Power	7 W
Output current	350 mA
Degree of protection	IP20
Protection class	II
Flicker-free	Yes

Mounting technology	
Mounting method	Recessed mounting
Place of installation	Ceiling-mounted
Adjustability	Not adjustable
Max. ceiling thickness	15 mm
Further references	No cover with thermal insulation material
Material cover	Glass transparent
Suitable for through-wiring	Yes

Packing data	
Gross weight	0.408 kg
Length of packaging	100 mm
Packaging width	100 mm
Packaging hight	100 mm
Disposal at end of life	<p>This product must not be disposed of with household waste. You are obliged, to dispose of such electrical waste separately.</p> <p>By disposing of electrical waste and other old or defective electronics separately, you support recycling or other forms of re-use. In that way you help to take care and to avoid that harmful substances get into the environment.</p>