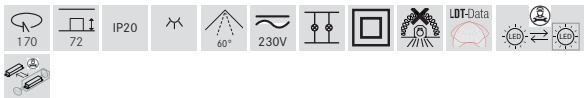
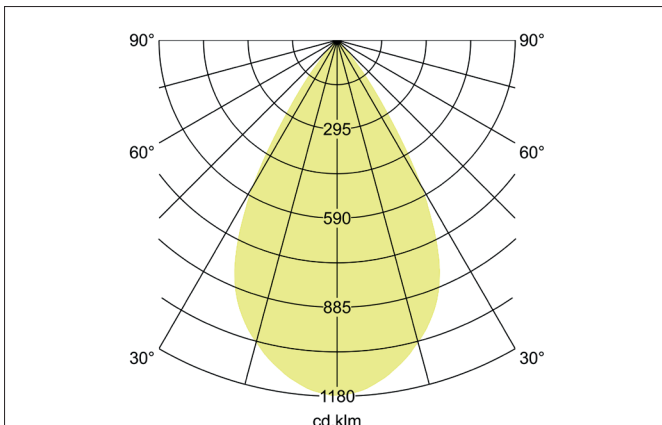
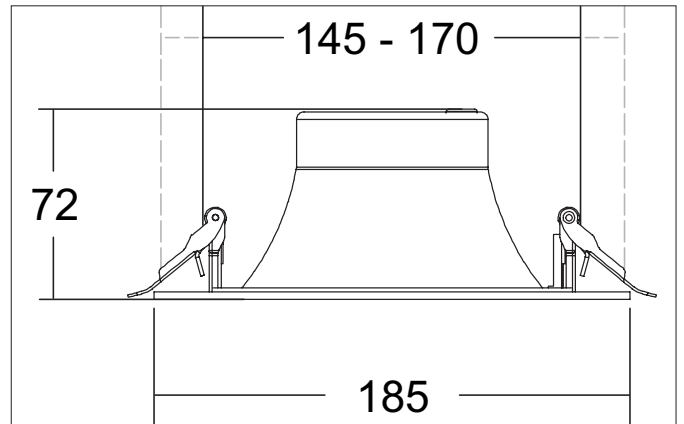


**DIOS MICRO LED recessed downlight, switchable**

Article no. 40670183

**Tender**

LED recessed downlight, switchable, Round. Toolless ceiling installation by installation springs. Ceiling cut-out Ø 170 mm, Installation depth 72 mm, Outer diameter 185 mm, Weight 0,3 kg, Reflector black with rotationssymmetrical, deep, wide distributed light intensity. Cover plastic, transparent. Luminous flux 1.000 lm, UGR < 16, Power 1 x 7,9 W, Light colour warm white, Correlated color temperature (CCT) 3.000 K, Colour rendering index CRI > 90, Rated life time L80/B10 at 25 °C: 50.000 h, Rated life time L80/B50 at 25 °C: 50.000 h, Housing material: Aluminium / Glass / Plastic, Colour: black structure, Permissible ambient temperature (ta): -20 °C - +25 °C, Protection class (EN 61140): II, Degree of protection (DIN EN 60529): IP20. With electronic driver, on/off switchable.

Product Benefits

- Recessed light emission with glare rating UGR<16.
- Wide luminaire edge for an installation dimension of 145 - 170 mm (may avoid the need for a reducing ring).
- Homogeneous coloring due to same-colored design of reflector and outer ring (textured white, textured black, textured silver).
- Converter with large connection space for simple, fast and convenient and convenient commissioning.
- Switchable version - also dimmable in the same dimensions available (DALI-2, Push Dim).
- Available in 3,000 K or 4,000 K.
- Multi-lumen version (factory-set constant current 150 mA).
- Further current setting possible on site: 100 mA.
- BEG-eligible (system efficiency > 120 lm / W).

**DIOS MICRO LED recessed downlight, switchable**

Article no. 40670183

Article data	
Article no.	40670183
GTIN	4251433995876
Series name	DIOS MICRO
Short description	LED recessed downlight, switchable
Material	Aluminium / Glass / Plastic
Colour	black structure
Type of surface	Structure
Shape	Round
Outer diameter	185 mm
Built-in diameter min.	145 mm
Built-in diameter max.	170 mm
Installation depth	72 mm
Weight	0.3 kg
D licence plate	No
Conformance	CE, UKCA

Lighting technology	
Colour temperature	3.000 K
Light colour	white
Light output	Direct
Luminous flux	1,000 lm
System efficiency	127 lm/W
Colour rendering	CRI > 90
Reflector	Matt
Reflector colour	black
Beam angle	60°
Glare evaluation	UGR < 16
Light sharing	Symmetric
Adjustable color temperature	No

Operating technology of the luminaire	
System output	7.9 W
Voltage type	AC/DC
AC nominal voltage max	230 V
DC nominal voltage min	176 V
DC nominal voltage max	276 V
Frequency max	50 Hz
Lamp	LED
Lamp holder	Without fitting
Protection class	II
Degree of protection	IP20
Dimmable	No
Control	on/off
Bulb change possible	The light source of this luminaire may only be replaced by the manufacturer or a service technician commissioned by him or a similarly qualified person.
Rated life time L80/B10 at 25 °C	50.000 h
Rated life time L80/B50 at 25 °C	50.000 h
Energy efficiency class	not required

**DIOS MICRO LED recessed downlight, switchable**

Article no. 40670183

Operating technology of driver	
AC nominal voltage max	230 V
Frequency max	50 Hz
DC nominal voltage min	176 V
DC nominal voltage max	276 V
Protection class	II
Degree of protection	IP20
Power	7.9 W
Suitable for emergency lighting	Yes
Control	on/off

Mounting technology	
Mounting method	Recessed mounting
Place of installation	Ceiling-mounted
Adjustability	Not adjustable
Max. ceiling thickness	25 mm
Further references	No cover with thermal insulation material
Material cover	Plastic, transparent
Suitable for through-wiring	Yes

Packing data	
Gross weight	0.8 kg
Length of packaging	205 mm
Packaging width	205 mm
Packaging height	100 mm
Disposal at end of life	<p>This product must not be disposed of with household waste. You are obliged, to dispose of such electrical waste separately.</p> <p>By disposing of electrical waste and other old or defective electronics separately, you support recycling or other forms of re-use. In that way you help to take care and to avoid that harmful substances get into the environment.</p>