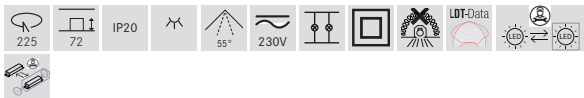
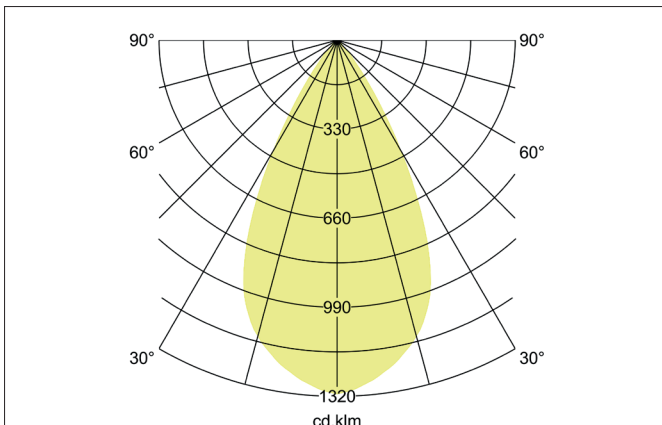
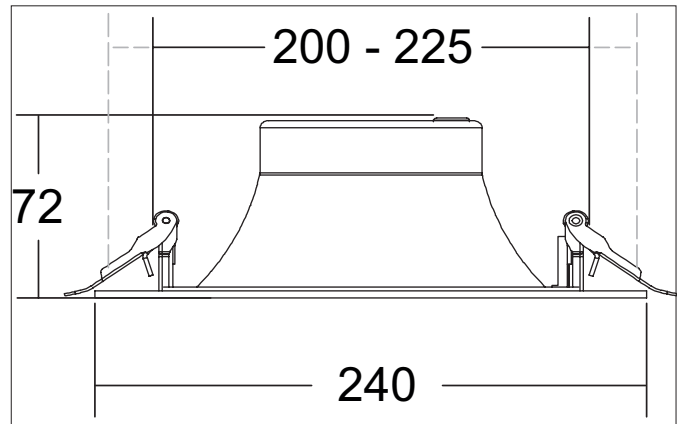


**DIOS MIDI LED recessed downlight, switchable**

Article no. 40672183

**Tender**

LED recessed downlight, switchable, Round. Toolless ceiling installation by installation springs. Ceiling cut-out Ø 225 mm, Installation depth 72 mm, Outer diameter 240 mm, Weight 0,4 kg, Reflector black with rotationssymmetrical, deep, wide distributed light intensity. Cover plastic, transparent. Luminous flux 1.725 lm, UGR < 16, Power 1 x 13,9 W, Light colour warm white, Correlated color temperature (CCT) 3.000 K, Colour rendering index CRI > 90, Rated life time L80/B10 at 25 °C: 50.000 h, Rated life time L80/B50 at 25 °C: 50.000 h, Housing material: Aluminium / Glass / Plastic, Colour: black structure, Permissible ambient temperature (ta): -20 °C - +25 °C, Protection class (EN 61140): II, Degree of protection (DIN EN 60529): IP20. With electronic driver, on/off switchable.

Product Benefits

- Recessed light emission with glare rating UGR<16.
- Wide luminaire edge for an installation dimension of 200 - 225 mm (may avoid the need for a reducing ring).
- Homogeneous coloring due to same-colored design of reflector and outer ring (textured white, textured black, textured silver).
- Converter with large connection space for simple, fast and convenient and convenient commissioning.
- Switchable version - also dimmable in the same dimensions available (DALI-2, Push Dim).
- Available in 3,000 K or 4,000 K.
- Multi-lumen version (factory-set constant current 350 mA).
- Further current settings possible on site: 100 mA, 150 mA, 200 mA, 250 mA, 300 mA.
- BEG-eligible (system efficiency > 120 lm / W).

**DIOS MIDI LED recessed downlight, switchable**

Article no. 40672183

| Article data | |
|------------------------|------------------------------------|
| Article no. | 40672183 |
| GTIN | 4251433996057 |
| Series name | DIOS MIDI |
| Short description | LED recessed downlight, switchable |
| Material | Aluminium / Glass / Plastic |
| Colour | black structure |
| Type of surface | Structure |
| Shape | Round |
| Outer diameter | 240 mm |
| Built-in diameter min. | 200 mm |
| Built-in diameter max. | 225 mm |
| Installation depth | 72 mm |
| Weight | 0.4 kg |
| D licence plate | No |
| Conformance | CE, UKCA |

| Lighting technology | |
|------------------------------|-----------|
| Colour temperature | 3.000 K |
| Light colour | white |
| Light output | Direct |
| Luminous flux | 1,725 lm |
| System efficiency | 124 lm/W |
| Colour rendering | CRI > 90 |
| Reflector | Matt |
| Reflector colour | black |
| Beam angle | 55° |
| Glare evaluation | UGR < 16 |
| Light sharing | Symmetric |
| Adjustable color temperature | No |

| Operating technology of the luminaire | |
|---------------------------------------|--|
| System output | 13.9 W |
| Voltage type | AC/DC |
| AC nominal voltage max | 230 V |
| DC nominal voltage min | 176 V |
| DC nominal voltage max | 276 V |
| Frequency max | 50 Hz |
| Lamp | LED |
| Lamp holder | Without fitting |
| Protection class | II |
| Degree of protection | IP20 |
| Dimmable | No |
| Control | on/off |
| Bulb change possible | The light source of this luminaire may only be replaced by the manufacturer or a service technician commissioned by him or a similarly qualified person. |
| Rated life time L80/B10 at 25 °C | 50.000 h |
| Rated life time L80/B50 at 25 °C | 50.000 h |
| Energy efficiency class | not required |

**DIOS MIDI LED recessed downlight, switchable**

Article no. 40672183

| Operating technology of driver | |
|---------------------------------|--------|
| AC nominal voltage max | 230 V |
| Frequency max | 50 Hz |
| DC nominal voltage min | 176 V |
| DC nominal voltage max | 276 V |
| Protection class | II |
| Degree of protection | IP20 |
| Power | 13.9 W |
| Suitable for emergency lighting | Yes |
| Control | on/off |

| Mounting technology | |
|-----------------------------|---|
| Mounting method | Recessed mounting |
| Place of installation | Ceiling-mounted |
| Adjustability | Not adjustable |
| Max. ceiling thickness | 25 mm |
| Further references | No cover with thermal insulation material |
| Material cover | Plastic, transparent |
| Suitable for through-wiring | Yes |

| Packing data | |
|-------------------------|--|
| Gross weight | 0.9 kg |
| Length of packaging | 260 mm |
| Packaging width | 260 mm |
| Packaging height | 100 mm |
| Disposal at end of life | <p>This product must not be disposed of with household waste. You are obliged, to dispose of such electrical waste separately.</p> <p>By disposing of electrical waste and other old or defective electronics separately, you support recycling or other forms of re-use. In that way you help to take care and to avoid that harmful substances get into the environment.</p> |