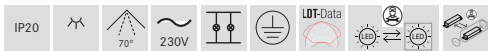
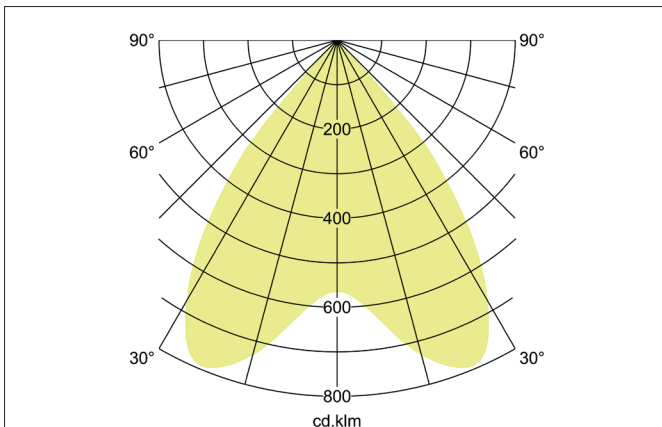
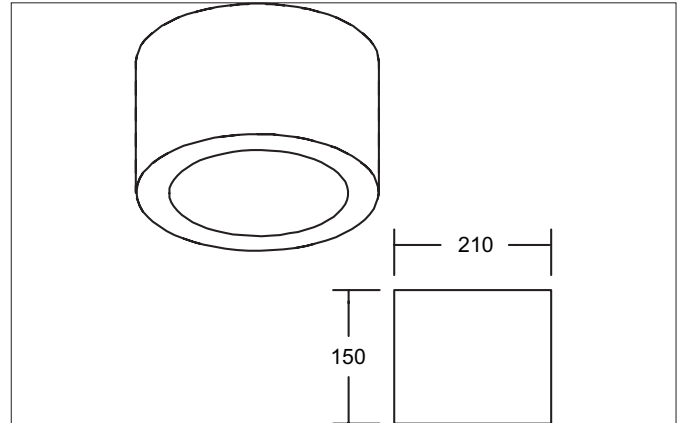




KACIE MIDI LED surface-mounted downlight
 Article no. 12596183



Tender
 LED surface-mounted downlight, Round. Luminaire diameter 210.0 mm, Height 150.0 mm Weight 2.172 kg, Reflector silver with rotational-symmetrical, deep, wide distributed light intensity.. Luminous flux 4.021 lm, UGR < 20, Power 1 x 42 W, Light colour warm white, Correlated color temperature (CCT) 3.000 K, Colour rendering index CRI > 90, Rated life time L70/B10 at 25 °C: 50.000 h, Rated life time L70/B50 at 25 °C: 50.000 h, Housing material: Aluminium / Plastic, Colour: black structure, Permissible ambient temperature (ta): -20 °C - +25 °C, Protection class (EN 61140): I, Degree of protection (DIN EN 60529): IP20. With electronic driver, on/off switchable.

Product Benefits

- Round surface-mounted downlight made of solid aluminum with generously dimensioned heat management.
- High-quality reflector.
- Simple installation.
- CRI > 90, UGR < 21.
- Available in switchable and DALI dimmable versions.



KACIE MIDI LED surface-mounted downlight

Article no. 12596183

Article data	
Article no.	12596183
GTIN	4251433998761
Series name	KACIE MIDI
Short description	LED surface-mounted downlight
Material	Aluminium / Plastic
Colour	black structure
Type of surface	Structure
Shape	Round
Outer diameter	210 mm
Height	150 mm
Scope of delivery	incl. converter for connection to 230 V mains voltage
Weight	2.172 kg
D licence plate	No
Conformance	CE, UKCA

Lighting technology	
Colour temperature	3.000 K
Light colour	white
Light output	Direct
Luminous flux	4,021 lm
System efficiency	96 lm/W
Colour rendering	CRI > 90
Reflector	Faceted
Reflector colour	silver
Beam angle	70°
Glare evaluation	UGR < 20
Light sharing	Symmetric
Adjustable color temperature	No

Operating technology of the luminaire	
System output	42 W
Voltage type	AC
AC nominal voltage max	230 V
Frequency max	50 Hz
Lamp	LED
Protection class	I
Degree of protection	IP20
Dimmable	No
Control	on/off
Bulb change possible	The light source of this luminaire may only be replaced by the manufacturer or a service technician commissioned by him or a similarly qualified person.
Rated life time L70/B50 at 25 °C	50,000 h
Energy efficiency class	not required

Mounting technology	
Mounting method	Surface mounting
Place of installation	Ceiling-mounted
Adjustability	Not adjustable
Material cover	Without cover

**KACIE MIDI LED surface-mounted downlight**

Article no. 12596183

Packing data	
Gross weight	2.417 kg
Length of packaging	255 mm
Packaging width	235 mm
Packaging height	180 mm
Disposal at end of life	<p>This product must not be disposed of with household waste. You are obliged, to dispose of such electrical waste separately.</p> <p>By disposing of electrical waste and other old or defective electronics separately, you support recycling or other forms of re-use. In that way you help to take care and to avoid that harmful substances get into the environment.</p>