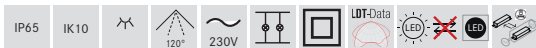
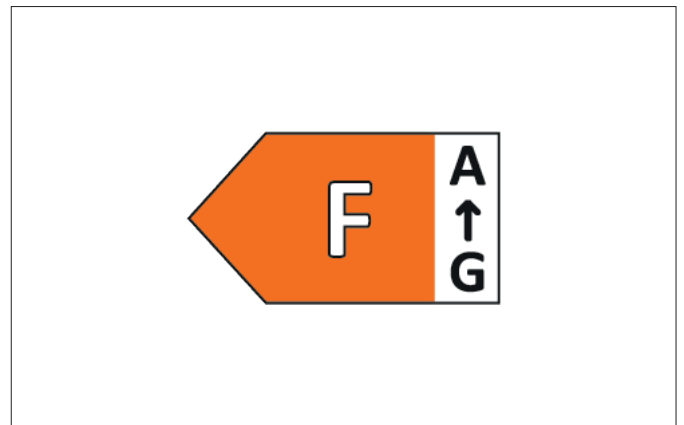
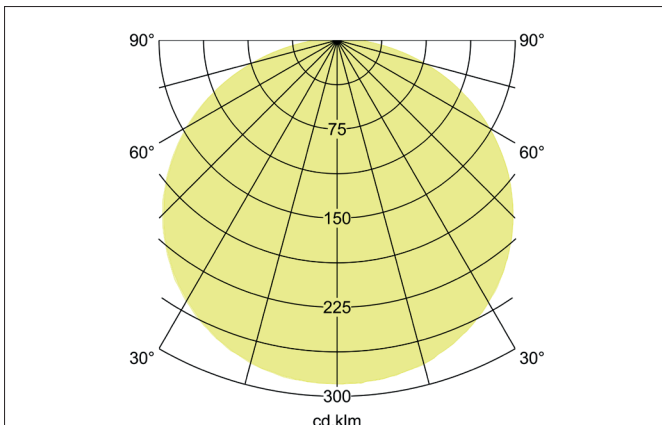
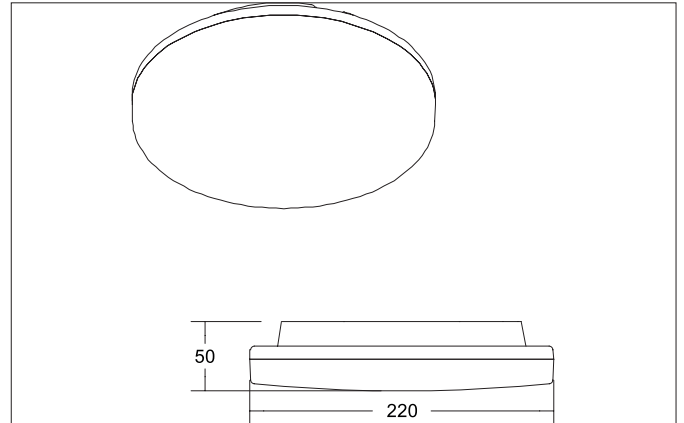




BYAM-R MINI LED surface-mounted ceiling downlight, 3CCT, Multipower 10/15 W, IP65, switchable

Article no. 12510073



Tender
 LED surface-mounted ceiling downlight, 3CCT, Multipower 10/15 W, IP65, switchable, Round. Luminaire diameter 220.0 mm, Height 50.0 mm Weight 0.645 kg, with rotationssymmetrical, deep, wide distributed light intensity. Cover plastic, opal Luminous flux 1.580 - 1.690 lm, Power 1 x 15 W, Light colour warm white to daylight white, Correlated color temperature (CCT) 3.000 - 5.700 K, Colour rendering index CRI > 80, Rated life time L70/B50 at 25 °C: 50.000 h, Housing material: Plastic, Colour: white matt, Permissible ambient temperature (ta): -20 °C up to +25 °C, Protection class (EN 61140): II, Degree of protection (DIN EN 60529): IP65, shock resistance according to IEC62262: IK10 .With electronic driver, on/off switchable.

Product Benefits

- Flat surface-mounted light (diameter 220 mm, height 50 mm, with multipower function 10 W / 15 W) for ceiling or wall mounting.
- 3 CCT adjustable: 3,000 K / 4,000 K / 5,700 K.
- Luminous flux 15 W: 3,000 K: 1,425 lm, 4,000 K: 1,568 lm, 5,700 K: 1,496 lm
- Available in three sizes and 2 shapes (round / square).
- Switchable version.


BYAM-R MINI LED surface-mounted ceiling downlight, 3CCT, Multipower 10/15 W, IP65, switchable

Article no. 12510073

Article data	
Article no.	12510073
GTIN	4255752500797
Series name	BYAM-R MINI
Short description	LED surface-mounted ceiling downlight, 3CCT, Multipower 10/15 W, IP65, switchable
Material	Plastic
Colour	white matt
Type of surface	Matt
Shape	Round
Outer diameter	220 mm
Hight	50 mm
Scope of delivery	incl. converter with power and color temperature selection option for connection to 230 V mains voltage, switchable
Weight	0.645 kg
D licence plate	No
Conformance	CE, UKCA

Lighting technology	
Colour temperature	3.000 K / 4.000 K / 5.700 K
Light colour	white
Color Temperature 1	3,000 K
Color Temperature 2	4,000 K
Color Temperature 3	5,700 K
Light output	Direct
Luminous flux	1,580 - 1,690 lm
Luminous flux 1	1,580 lm
Luminous flux 2	1,690 lm
Luminous flux 3	1,640 lm
System efficiency	113 lm/W
Colour rendering	CRI > 80
Beam angle	120°
Light sharing	Symmetric
Adjustable color temperature	Stages

Operating technology of the luminaire	
System output	15 W
Voltage type	AC
AC nominal voltage max	230 V
Frequency max	50 Hz
Lamp	LED
Protection class	II
Degree of protection	IP65
Dimmable	No
Control	on/off
Bulb change possible	No
Rated life time L70/B50 at 25 °C	50,000 h
Energy efficiency class	F

Mounting technology	
Mounting method	Surface mounting
Place of installation	Ceiling-mounted
Adjustability	Not adjustable
Impact resistance	IK10
Material cover	Plastic, opal

**BRUMBERG**

Light. Since 1873.

BYAM-R MINI LED surface-mounted ceiling downlight, 3CCT, Multipower 10/15 W, IP65, switchable

Article no. 12510073

Packing data	
Gross weight	0.695 kg
Length of packaging	230 mm
Packaging width	230 mm
Packaging height	60 mm
Disposal at end of life	<p>This product must not be disposed of with household waste. You are obliged, to dispose of such electrical waste separately.</p> <p>By disposing of electrical waste and other old or defective electronics separately, you support recycling or other forms of re-use. In that way you help to take care and to avoid that harmful substances get into the environment.</p>

Optional accessories	
Article no.:	81501000
Mounting spring set for use as recessed ceiling light	
https://www.brumberg.com/fileadmin/products/Datenblatt_81501000_2021_DE.pdf	