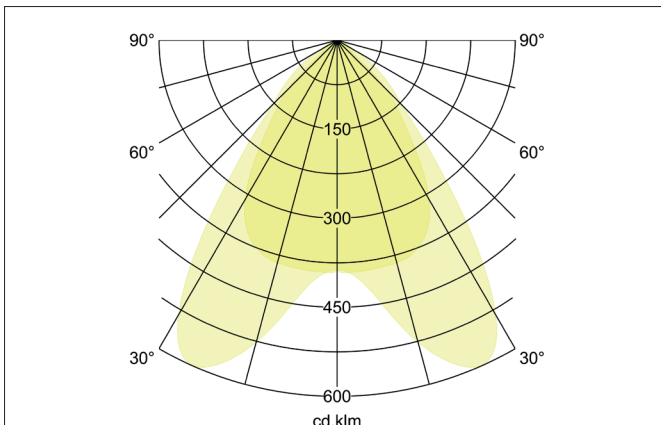
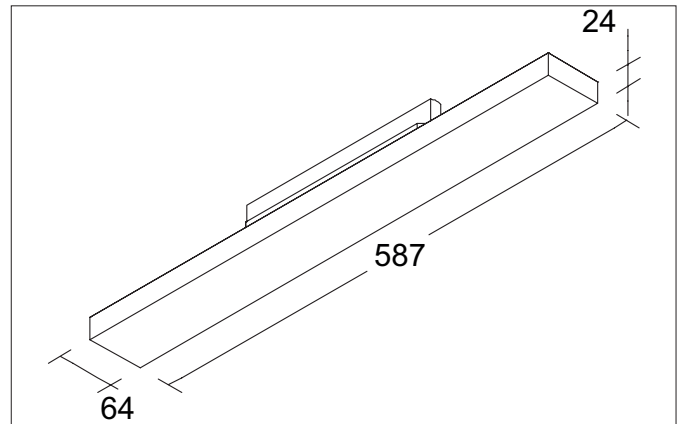


**BALI MIDI LED track spotlight, rotatable, on/off**  
 Article no. 44021173

**Tender**

Rectangular LED track spotlight, rotatable, switchable, luminaire length 587 mm, luminaire width 64 mm, height 25 mm, weight 1.120 kg, asymmetrical cover PMMA, rated luminous flux 5,600 lm, rated wattage 1 x 40 W, light color warm white, most similar color temperature (CCT) 3.000 K, general color rendering index CRI > 80, service life L70/B50 at 25 °C: 60,000 h, service life L80/B50 at 25 °C: 50,000 h, housing material: steel / plastic, color: textured white, permissible ambient temperature (ta): -20 °C - +25 °C, protection class (EN 61140): II, degree of protection (DIN EN 60529): IP20, degree of impact resistance according to IEC62262: IK02. With electronic control gear, switchable.

Article data	
Article no.	44021173
GTIN	4255752513278
Series name	BALI MIDI
Short description	LED track spotlight, rotatable, on/off
Material	Steel / Plastic
Colour	White
Type of surface	Structure
Shape	Rectangular
Length	587 mm
Width	64 mm
Height	25 mm
Weight	1.120 kg
Conformance	CE, UKCA

**BALI MIDI LED track spotlight, rotatable, on/off**

Article no. 44021173

Lighting technology	
Colour temperature	3.000 K
Light colour	White
Light output	Direct
Luminous flux	5,600 lm
System efficiency	140 lm/W
McAdam-Step	McAdam-Step 3
Colour rendering	CRI > 80
Beam angle longitudinal	75°
Beam angle transverse	76°
Light sharing	Asymmetric
Adjustable color temperature	No

Operating technology of the luminaire	
System output	40 W
Voltage type	AC
AC nominal voltage min	220 V
AC nominal voltage max	240 V
Frequency max	60 Hz
Frequency min	50 Hz
Lamp	LED
Lamp holder	LED
Protection class	II
Degree of protection	IP20
Dimmable	No
Control	on/off
Bulb change possible	The light source of this luminaire may only be replaced by the manufacturer or a service technician commissioned by him or a similarly qualified person.
Rated life time L70/B50 at 25 °C	60,000 h
Rated life time L80/B50 at 25 °C	50.000 h
Energy efficiency class	nicht erforderlich
max. no. lights on B16 A	33
max. no. lights on C16 A	84

Mounting technology	
Mounting method	Conductor rail mounting
Place of installation	Ceiling-mounted
Adjustability	Rotable
Rotation angle	355°
Impact resistance	IK02
Material cover	PMMA
Suitable for through-wiring	No

Packing data	
Gross weight	1.232 kg
Length of packaging	655 mm
Packaging width	180 mm
Packaging height	185 mm
Disposal at end of life	This product must not be disposed of with household waste. You are obliged, to dispose of such electrical waste separately. By disposing of electrical waste and other old or defective electronics separately, you support recycling or other forms of re-use. In that way you help to take care and to avoid that harmful substances get into the environment.