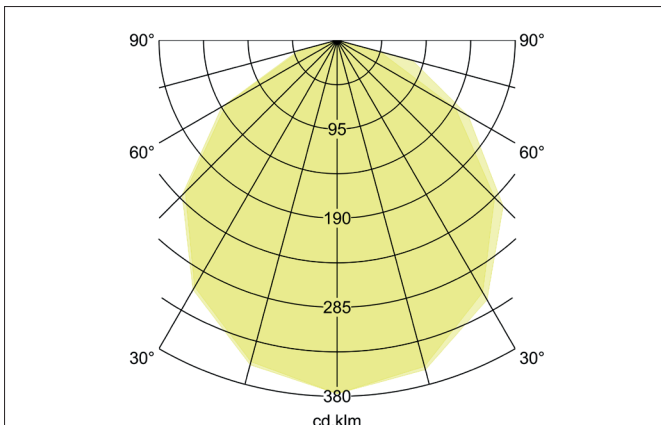
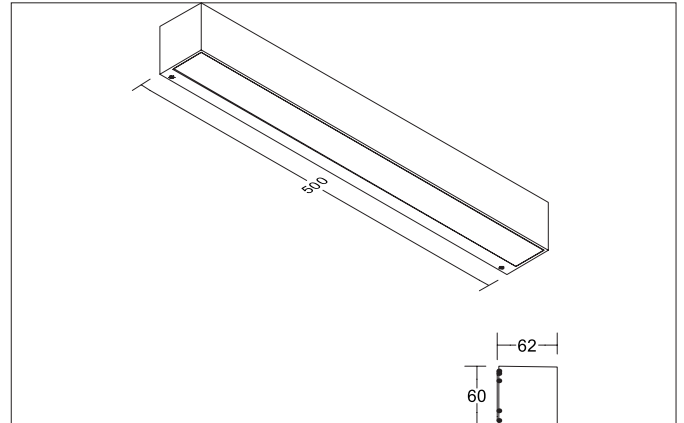
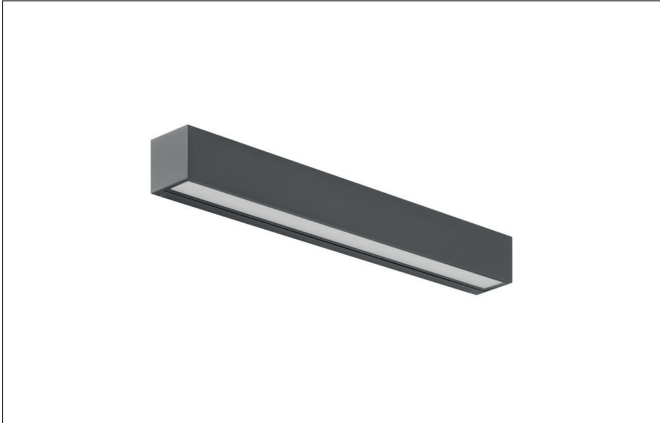




## DARBEE LED wall surface mounted luminaire, IP65

Article no. 65254103



### Tender

LED wall surface mounted luminaire, IP65, Rectangular. Luminaire length 500.0 mm, Luminaire width 62.0 mm, Hight 62.0 mm Weight 1.947 kg, with rotattionssymmetrical, deep, wide distributed light intensity. Cover glass opal Luminous flux 1.150 lm, Power 1 x 18 W, Light colour warm white to warm white, Correlated color temperature (CCT) 3.000 - 3.000 K, Colour rendering index CRI > 80, Housing material: Aluminium / Glass / Plastic, Colour: graphite structure, Permissible ambient temperature (ta): -20 °C up to +45 °C, Protection class (EN 61140): I, Degree of protection (DIN EN 60529): IP65. With electronic driver, on/off switchable.

Article data	
Article no.	65254103
GTIN	4251433982647
Series name	DARBEE
Short description	LED wall surface mounted luminaire, IP65
Material	Aluminium / Glass / Plastic
Colour	graphite structure
Type of surface	Matt
Shape	Rectangular
Length	500 mm
Width	62 mm
Hight	62 mm
Weight	1.947 kg
D licence plate	No
Conformance	CE, UKCA

**DARBEE LED wall surface mounted luminaire, IP65**

Article no. 65254103

Lighting technology	
Colour temperature	3.000 K
Light colour	white
Light output	Direct
Luminous flux	1,150 lm
System efficiency	64 lm/W
McAdam-Step	McAdam-Step 6
Colour rendering	CRI > 80
Beam angle	120°
Light sharing	Symmetric
Adjustable color temperature	No

Operating technology of the luminaire	
System output	18 W
Voltage type	AC
AC nominal voltage max	230 V
Frequency max	50 Hz
Frequency min	50 Hz
Lamp	LED
Lamp holder	Without fitting
Protection class	I
Degree of protection	IP65
Ambient temperature	-20°C up to +45°C
Dimmable	No
Control	on/off
Bulb change possible	The light source of this luminaire may only be replaced by the manufacturer or a service technician commissioned by him or a similarly qualified person.
Energy efficiency class	not required

Mounting technology	
Mounting method	Surface mounting
Place of installation	Wall-mounted
Adjustability	Not adjustable
Further references	Outdoor
Material cover	Glass opal
Suitable for through-wiring	Yes

Packing data	
Gross weight	2.377 kg
Length of packaging	530 mm
Packaging width	200 mm
Packaging height	200 mm
Disposal at end of life	This product must not be disposed of with household waste. You are obliged, to dispose of such electrical waste separately. By disposing of electrical waste and other old or defective electronics separately, you support recycling or other forms of re-use. In that way you help to take care and to avoid that harmful substances get into the environment.