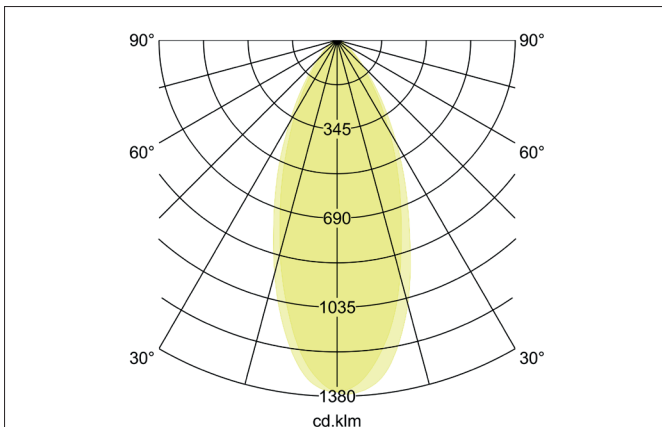
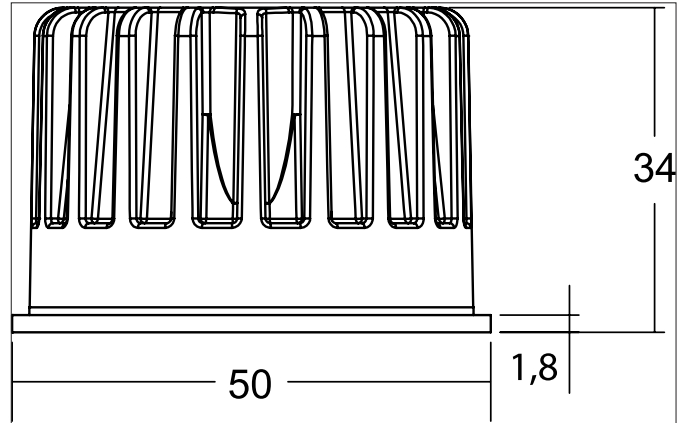




ROTI Set consisting of LED insert 3CCT and converter, DALI-2 dimmable

Article no. 12988503



Tender
 Set consisting of LED insert 3CCT and converter, DALI-2 dimmable, black / aluminum matt. Lamp holder: Plug&Play, Material: Aluminium / PMMA / Plastic, Degree of protection: according to DIN EN 60529 IP20, Protection class: (EN 61140) II, Power: 7,3 W, Amount of light sources / fittings: 1 piece, Luminous flux: from 898 lm up to 970 lm, Colour temperature: from 2.700 K up to 4.000 K, Light colour: white, Beam angle: 50°, With control gear: Yes, Dimmable: Yes, Type of dimming: DALI-2.

Farbtemperatur	Lichtstrom	Systemeffizienz
2.700 K	898 lm	124 lm/W
3.000 K	922 lm	126 lm/W
4.000 K	970 lm	132 lm/W

Article data	
Article no.	12988503
GTIN	4255752509776
Series name	ROTI
Short description	Set consisting of LED insert 3CCT and converter, DALI-2 dimmable
Material	Aluminium / PMMA / Plastic
Colour	black / aluminum matt
Outer diameter	50 mm
Weight	0.14 kg
Conformance	CE, UKCA


ROTI Set consisting of LED insert 3CCT and converter, DALI-2 dimmable

Article no. 12988503

Lighting technology	
Colour temperature	2.700 K / 3.000 K / 4.000 K
Light colour	white
Color Temperature 1	2,700 K
Color Temperature 2	3,000 K
Color Temperature 3	4,000 K
Luminous flux	898 - 970 lm
Luminous flux 1	898 lm
Luminous flux 2	922 lm
Luminous flux 3	970 lm
McAdam-Step	McAdam-Step 3
Colour rendering	CRI > 80
Reflector	High-gloss
Beam angle	50°
Light sharing	Symmetric
Adjustable color temperature	Stages

Operating technology of the luminaire	
Voltage type	AC
Lamp	LED
Lamp holder	Plug&Play
Protection class	II
Degree of protection	IP20
Dimmable	Yes
Control	DALI-2
Bulb change possible	The light source of this luminaire may only be replaced by the manufacturer or a service technician commissioned by him or a similarly qualified person.
Rated life time L80/B10 at 25 °C	50.000 h

Operating technology of the luminaire	
Article No. of used light source	12929503
Hight	34 mm
Diameter	50 mm
Lamp holder	Plug&Play
Power	6.3 W
Voltage type	DC
Current	350 mA
Lamp	LED
Protection class	III
Degree of protection	IP20
Energy efficiency class	C
Bulb change possible	The light source of this luminaire may only be replaced by the manufacturer or a service technician commissioned by him or a similarly qualified person.


ROTI Set consisting of LED insert 3CCT and converter, DALI-2 dimmable

Article no. 12988503

Operating technology of driver	
Article No. of used driver	17684000
Length	130 mm
Width	42 mm
Hight	22 mm
AC nominal voltage min	198 V
AC nominal voltage max	264 V
Frequency max	60 Hz
Dimmable	Yes
Control	DALI-2
Starting current	1 A, 15,2 μ s
Power min	2.8 W
Power	7 W
Output current	350 mA
Degree of protection	IP20
Protection class	II
Flicker-free	Yes

Packing data	
Gross weight	0.19 kg
Length of packaging	140 mm
Packaging width	110 mm
Packaging hight	120 mm
Disposal at end of life	<p>This product must not be disposed of with household waste. You are obliged, to dispose of such electrical waste separately.</p> <p>By disposing of electrical waste and other old or defective electronics separately, you support recycling or other forms of re-use. In that way you help to take care and to avoid that harmful substances get into the environment.</p>