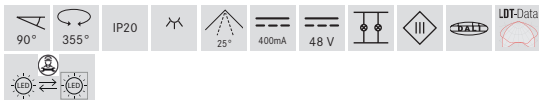
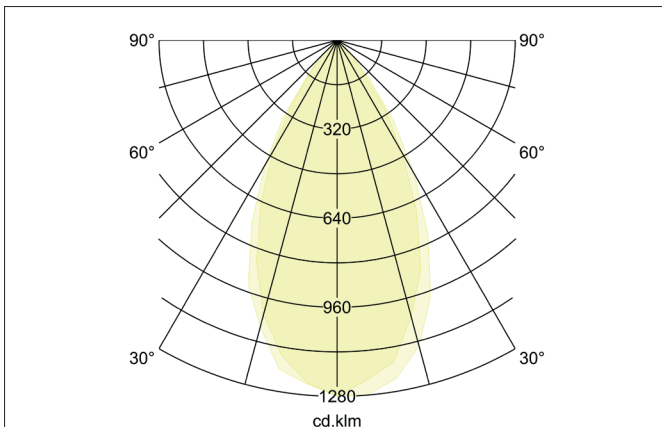
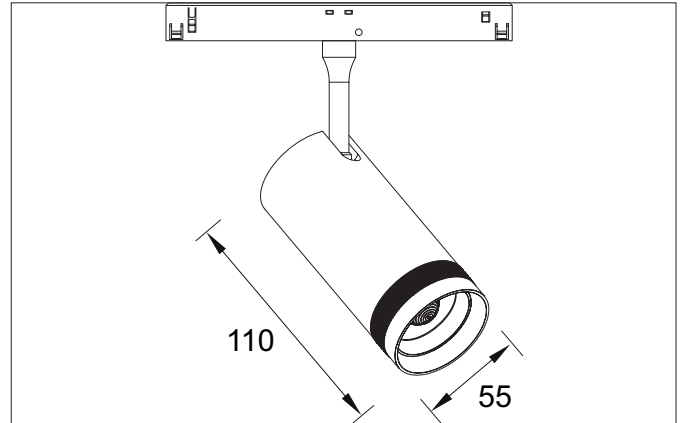




PEPA RONDO LED track spotlight 48 V DC, DALI-2 dimmable
 Article no. 43131083



Tender
 LED track spotlight 48 V DC, DALI-2 dimmable, Round. Luminaire diameter 55.0 mm, Height 110.0 mm Weight 0.31 kg, Reflector white with rotationssymmetrical, deep, wide distributed light intensity. Cover plastic, transparent Luminous flux 1.050 lm, Power 1 x 16 W, Light colour warm white, Correlated color temprature (CCT) 3.000 K, Colour rendering index CRI > 90, Rated life time L70/B50 at 25 °C: 50.000 h, Housing material: Aluminium / Polycarbonate, Colour: black structure, Permissible ambient temperature (ta): 0 °C up to +35 °C, Protection class (EN 61140): III, Degree of protection (DIN EN 60529): IP20. For connection to an external driver, which is not included in the scope of delivery of the luminaire. DALI-2 dimmable.

Article data	
Article no.	43131083
GTIN	4255752520436
Series name	PEPA RONDO
Short description	LED track spotlight 48 V DC, DALI-2 dimmable
Material	Aluminium / Polycarbonate
Colour	black structure
Type of surface	Matt
Shape	Round
Outer diameter	55 mm
Height	110 mm
Scope of delivery	inkl. DALI-2 Adapter
Weight	0.31 kg
D licence plate	No
Conformance	CE, UKCA


PEPA RONDO LED track spotlight 48 V DC, DALI-2 dimmable

Article no. 43131083

Lighting technology	
Colour temperature	3.000 K
Light colour	white
Light output	Direct
Luminous flux	1,050 lm
System efficiency	66 lm/W
McAdam-Step	McAdam-Step 6
Colour rendering	CRI > 90
Reflector	Other
Reflector colour	white
Beam angle	25°
Light sharing	Symmetric
Adjustable color temperature	No

Operating technology of the luminaire	
System output	16 W
Voltage type	DC
AC nominal voltage min	48 V
AC nominal voltage max	48 V
Current	400 mA
Lamp	LED
Lamp holder	LED
Protection class	III
Degree of protection	IP20
Ambient temperature	0°C up to +35°C
Dimmable	Yes
Control	DALI-2
Minimum / maximum dimming range	1 - 100 %
Bulb change possible	The light source of this luminaire may only be replaced by the manufacturer or a service technician commissioned by him or a similarly qualified person.
Rated life time L70/B50 at 25 °C	50,000 h
Energy efficiency class	not required

Mounting technology	
Mounting method	Conductor rail mounting
Place of installation	Ceiling- /Wall-mounted
Adjustability	Rotable and pivoted
Swivel angle	90°
Rotation angle	355°
Material cover	Plastic, transparent
Suitable for through-wiring	No

Packing data	
Gross weight	0.369 kg
Length of packaging	190 mm
Packaging width	125 mm
Packaging height	60 mm
Disposal at end of life	This product must not be disposed of with household waste. You are obliged, to dispose of such electrical waste separately. By disposing of electrical waste and other old or defective electronics separately, you support recycling or other forms of re-use. In that way you help to take care and to avoid that harmful substances get into the environment.