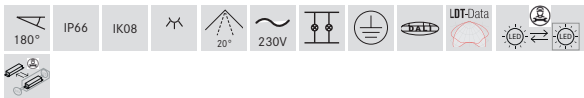
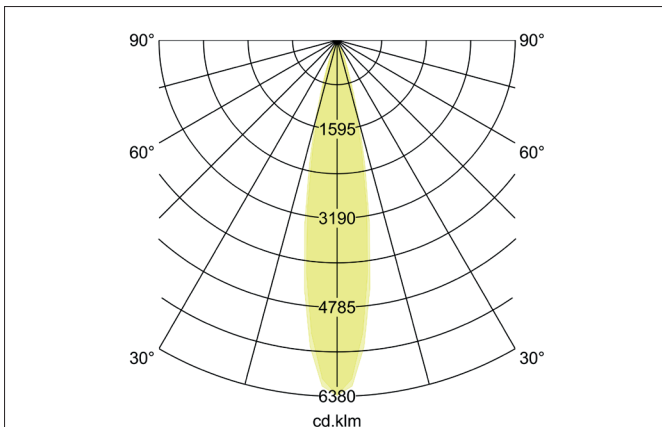
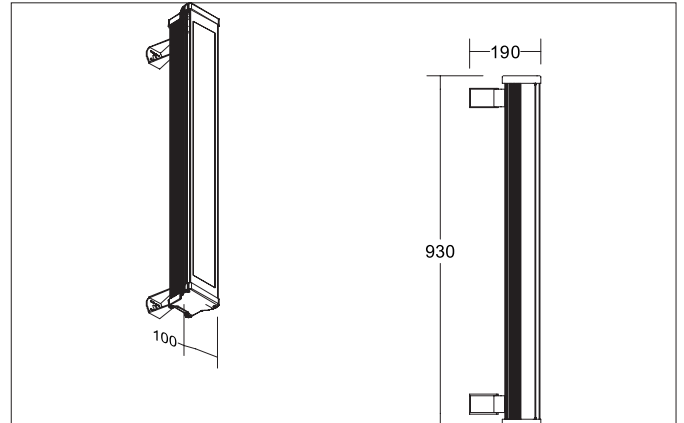




LAVILO II MIDI LED Wallwasher, IP66
Article no. 60892646



Tender
LED Wallwasher, IP66, Rectangular. Luminaire length 930.0 mm, Luminaire width 114.0 mm, Hight 97.0 mm Weight 6.6 kg, with rotattions-symmetrical, deep, wide distributed light intensity. Cover glass transparent. Luminous flux 8.540 lm, Power 63 W, Light colour , Correlated color temperature (CCT) 6.000 K, Colour rendering index CRI > 80, Housing material: Aluminium / Glass, Colour: titanium matt, Permissible ambient temperature (ta): -25 to +50°, Protection class (EN 61140): I, Degree of protection (DIN EN 60529): IP66, shock resistance according to IEC62262: IK08 .With electronic driver, DALI-DT6 dimmable.

| Article data | |
|-------------------|--|
| Article no. | 60892646 |
| GTIN | 4251433994053 |
| Series name | LAVILO II MIDI |
| Short description | LED Wallwasher, IP66 |
| Material | Aluminium / Glass |
| Colour | titanium matt |
| Type of surface | Matt |
| Shape | Rectangular |
| Length | 930 mm |
| Width | 114 mm |
| Hight | 97 mm |
| Scope of delivery | incl. converter for connection to 230 V mains voltage, DALI. |
| Weight | 6.6 kg |
| Conformance | CE, UKCA |


LAVILO II MIDI LED Wallwasher, IP66

Article no. 60892646

| Lighting technology | |
|------------------------------|---------------|
| Colour temperature | 6.000 K |
| Light colour | white |
| Light output | Direct |
| Luminous flux | 8,540 lm |
| System efficiency | 136 lm/W |
| McAdam-Step | McAdam-Step 5 |
| Colour rendering | CRI > 80 |
| Luminaire optics | Lens |
| Beam angle | 20° |
| Light sharing | Symmetric |
| Adjustable color temperature | No |

| Operating technology of the luminaire | |
|---------------------------------------|--|
| System output | 63 W |
| Voltage type | AC |
| AC nominal voltage max | 230 V |
| Frequency max | 50 Hz |
| Frequency min | 50 Hz |
| Lamp | LED |
| Lamp holder | Without fitting |
| Protection class | I |
| Degree of protection | IP66 |
| Ambient temperature | -25 to +50° |
| Control | DALI-DT6 |
| Design of the connecting cable | side connection cable |
| Bulb change possible | The light source of this luminaire may only be replaced by the manufacturer or a service technician commissioned by him or a similarly qualified person. |
| Rated life time L90/B10 at 25 °C | 50.000 h |
| Energy efficiency class | not required |

| Mounting technology | |
|-----------------------------|-------------------|
| Mounting method | Surface mounting |
| Place of installation | Wall-mounted |
| Adjustability | Pivoted |
| Swivel angle | 180° |
| Impact resistance | IK08 |
| Material cover | Glass transparent |
| Suitable for through-wiring | No |

| Packing data | |
|-------------------------|---|
| Gross weight | 7.1 kg |
| Length of packaging | 980 mm |
| Packaging width | 160 mm |
| Packaging height | 140 mm |
| Disposal at end of life | This product must not be disposed of with household waste. You are obliged, to dispose of such electrical waste separately. By disposing of electrical waste and other old or defective electronics separately, you support recycling or other forms of re-use. In that way you help to take care and to avoid that harmful substances get into the environment. |