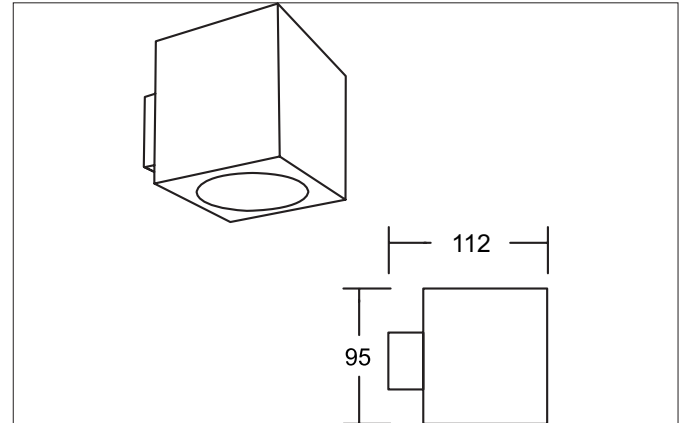



M1 Wall surface mounted housing, square, recessed, flush with module bracket, pivoted, without LED module

Article no. 45210550


Tender

Wall surface mounted housing, square, recessed, flush with module bracket, pivoted, without LED module, Square. Luminaire length 90.0 mm, Luminaire width 90.0 mm, Height 95.0 mm Weight 0.288 kg, with rotationssymmetrical, deep, wide distributed light intensity. with Lamp holder Without fitting max: 8 W, Delivery without bulb. Housing material: Aluminium, Colour: white structure / black structure, Permissible ambient temperature (ta): -20 °C up to +25 °C, Protection class (EN 61140): III, Degree of protection (DIN EN 60529): IP20. For connection to an external driver, which is not included in the scope of delivery of the luminaire. Depending on driver dimmable.

Product Benefits

- 5-year Brumberg lighting warranty.
- High efficiency
- Dust and waterproof with IP66.
- Internal cooling pins for optimal heat dissipation and long product life.
- Extreme temperature resistant (-25° C and +50° C).
- Wall and pole mounting possible (via accessories).
- Powerful with 20 W, 50 W, 100 W, 225 W or 275 W.
- Corrosion-resistant die-cast aluminum housing.
- Symmetrical light distribution, beam angle 100°, others available on request.
- Asymmetrical light distribution, beam angle 30 x 110°.
- Color temperatures: 3000 K, 4000 K.


M1 Wall surface mounted housing, square, recessed, flush with module bracket, pivoted, without LED module

Article no. 45210550

Article data	
Article no.	45210550
GTIN	4255752502265
Series name	M1
Short description	Wall surface mounted housing, square, recessed, flush with module bracket, pivoted, without LED module
Material	Aluminium
Colour	white structure / black structure
Type of surface	Structure
Shape	Square
Length	90 mm
Width	90 mm
Hight	95 mm
Scope of delivery	incl. module holder flush, pivotable
Weight	0.288 kg
D licence plate	No
Conformance	CE, UKCA

Operating technology of the luminaire	
Lamp	For LED
Lamp holder	Without fitting
Protection class	III
Degree of protection	IP20
Dimmable	Depending on type of control gear
Control	Depending on driver
Energy efficiency class	not required

Mounting technology	
Mounting method	Surface mounting
Place of installation	Wall-mounted
Adjustability	Pivoted
Swivel angle	20°
Material cover	Without cover
Circlip	Without circlip

Packing data	
Gross weight	0.333 kg
Length of packaging	100 mm
Packaging width	100 mm
Packaging hight	135 mm
Disposal at end of life	<p>This product must not be disposed of with household waste. You are obliged, to dispose of such electrical waste separately.</p> <p>By disposing of electrical waste and other old or defective electronics separately, you support recycling or other forms of re-use. In that way you help to take care and to avoid that harmful substances get into the environment.</p>


M1 Wall surface mounted housing, square, recessed, flush with module bracket, pivoted, without LED module

Article no. 45210550

Compatible LED-modu-							
Article no.	Power	Beam angle	Colour temperature	Colour rendering		Input	Hight LED-Modul
12925003	3 W	38°	2.700 K	CRI > 80		350 mA	40 mm
12926003	3 W	38°	3.000 K	CRI > 80		350 mA	40 mm
12925004	3 W	38°	4.000 K	CRI > 80		350 mA	40 mm
12923383	6 W	38°	2.700 K	CRI > 80		350 mA	32 mm
12923603	6 W	60°	2.700 K	CRI > 80		350 mA	32 mm
12927383	6 W	38°	2.700 K	CRI > 90		350 mA	32 mm
12924383	6 W	38°	3.000 K	CRI > 80		350 mA	32 mm
12924603	6 W	60°	3.000 K	CRI > 80		350 mA	32 mm
12928383	6 W	38°	3.000 K	CRI > 90		350 mA	32 mm
12924384	6 W	38°	3.500 K	CRI > 80		350 mA	32 mm
12924604	6 W	60°	3.500 K	CRI > 80		350 mA	32 mm
12928384	6 W	38°	3.500 K	CRI > 90		350 mA	32 mm
12923384	6 W	38°	4.000 K	CRI > 80		350 mA	32 mm
12923604	6 W	60°	4.000 K	CRI > 80		350 mA	32 mm
12927384	6 W	38°	4.000 K	CRI > 90		350 mA	32 mm
12920183	6 W	18°	3.000 K	CRI > 80		350 mA	31 mm
12920243	6 W	24°	3.000 K	CRI > 80		350 mA	31 mm
12920003	6 W	38°	3.000 K	CRI > 80		350 mA	31 mm
12920603	6 W	60°	3.000 K	CRI > 80		350 mA	31 mm
12920184	6 W	18°	4.000 K	CRI > 80		350 mA	31 mm
12920244	6 W	24°	4.000 K	CRI > 80		350 mA	31 mm
12920004	6 W	38°	4.000 K	CRI > 80		350 mA	31 mm
12920604	6 W	60°	4.000 K	CRI > 80		350 mA	31 mm
12963383	6 W	38°	3.000 K - 1.800 K	CRI > 90		350 mA	32 mm
12963603	6 W	60°	3.000 K - 1.800 K	CRI > 90		350 mA	32 mm
12823003	8 W	60°	2.850 K	CRI > 90		24.00 V	50 mm
12845604	8 W	60°	2.700 K - 6.500 K	CRI > 90		24.00 V	52 mm
18438002	8 W	60°	RGB+WW	CRI > 90		24.00 V	50 mm
12929503	6.3 W	50°	2.700 K / 3.000 K / 4.000 K	CRI > 80		350 mA	34 mm
12930503	5.9 W	50°	2.700 K / 3.000 K / 4.000 K	CRI > 90		350 mA	34 mm
12933553	6 W	55°	2.700 K / 3.000 K / 4.000 K + dim-2warm (3.000 K - 2.200 K)	CRI > 90		350 mA	32 mm

**M1 Wall surface mounted housing, square, recessed, flush with module bracket, pivoted, without LED module**

Article no. 45210550

Required accessories

Article no.: 17665000

LED converter 350 mA, switchable

Power: 1 - 3,2 W, Plug&Play

Dimensions: 52 mm x 30 mm x 23 mm

https://www.brumberg.com/fileadmin/products/Datenblatt_17665000_2021_DE.pdf

Article no.: 17662000

LED converter 350 mA, on/off switchable

Power: 1 - 7,2 W, Plug&Play

Dimensions: 68 mm x 35 mm x 21 mm

https://www.brumberg.com/fileadmin/products/Datenblatt_17662000_2021_DE.pdf

Article no.: 17652000

LED-round converter 350 mA, trailing-edge phase dimmer

Power: 4,9 - 7 W, Plug&Play

Dimensions: 51 mm x 24 mm

https://www.brumberg.com/fileadmin/products/Datenblatt_17652000_2021_DE.pdf

Article no.: 17658000

LED round converter 350 mA, DALI dimmable (digital)

Power: 2,1 - 9 W, Plug&Play

Dimensions: 56 mm x 25 mm

https://www.brumberg.com/fileadmin/products/Datenblatt_17658000_2021_DE.pdf