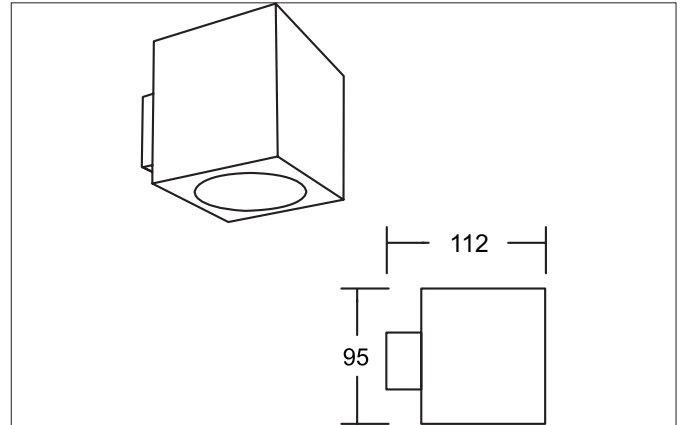



M1 Wall surface mounted housing, square, recessed, flush with module bracket, pivoted, without LED module

Article no. 45212550


Tender

Wall surface mounted housing, square, recessed, flush with module bracket, pivoted, without LED module, Square. Luminaire length 90.0 mm, Luminaire width 90.0 mm, Height 95.0 mm Weight 0.288 kg, with rotationssymmetrical, deep, wide distributed light intensity. with Lamp holder Without fitting max: 8 W, Delivery without bulb. Housing material: Aluminium, Colour: white structure / black structure, Permissible ambient temperature (ta): -20 °C up to +25 °C, Protection class (EN 61140): III, Degree of protection (DIN EN 60529): IP20. For connection to an external driver, which is not included in the scope of delivery of the luminaire. Depending on driver dimmable.

Product Benefits

- 5-year Brumberg lighting warranty.
- High efficiency
- Dust and waterproof with IP66.
- Internal cooling pins for optimal heat dissipation and long product life.
- Extreme temperature resistant (-25° C and +50° C).
- Wall and pole mounting possible (via accessories).
- Powerful with 20 W, 50 W, 100 W, 225 W or 275 W.
- Corrosion-resistant die-cast aluminum housing.
- Symmetrical light distribution, beam angle 100°, others available on request.
- Asymmetrical light distribution, beam angle 30 x 110°.
- Color temperatures: 3000 K, 4000 K.


M1 Wall surface mounted housing, square, recessed, flush with module bracket, pivoted, without LED module

Article no. 45212550

| Article data | |
|-------------------|--|
| Article no. | 45212550 |
| GTIN | 4255752502340 |
| Series name | M1 |
| Short description | Wall surface mounted housing, square, recessed, flush with module bracket, pivoted, without LED module |
| Material | Aluminium |
| Colour | white structure / black structure |
| Type of surface | Structure |
| Shape | Square |
| Length | 90 mm |
| Width | 90 mm |
| Hight | 95 mm |
| Scope of delivery | incl. recessed module holder, swivel-mounted |
| Weight | 0.288 kg |
| D licence plate | No |
| Conformance | CE, UKCA |

| Operating technology of the luminaire | |
|---------------------------------------|-----------------------------------|
| Lamp | For LED |
| Lamp holder | Without fitting |
| Protection class | III |
| Degree of protection | IP20 |
| Dimmable | Depending on type of control gear |
| Control | Depending on driver |
| Energy efficiency class | not required |

| Mounting technology | |
|-----------------------|------------------|
| Mounting method | Surface mounting |
| Place of installation | Wall-mounted |
| Adjustability | Pivoted |
| Swivel angle | 20° |
| Material cover | Without cover |
| Circlip | Without circlip |

| Packing data | |
|-------------------------|--|
| Gross weight | 0.333 kg |
| Length of packaging | 100 mm |
| Packaging width | 100 mm |
| Packaging hight | 135 mm |
| Disposal at end of life | <p>This product must not be disposed of with household waste. You are obliged, to dispose of such electrical waste separately.</p> <p>By disposing of electrical waste and other old or defective electronics separately, you support recycling or other forms of re-use. In that way you help to take care and to avoid that harmful substances get into the environment.</p> |


M1 Wall surface mounted housing, square, recessed, flush with module bracket, pivoted, without LED module

Article no. 45212550

| Compatible LED-modu- | | | | | | | |
|----------------------|-------|------------|---|------------------|--|---------|-----------------|
| Article no. | Power | Beam angle | Colour temperature | Colour rendering | | Input | Hight LED-Modul |
| 12925003 | 3 W | 38° | 2.700 K | CRI > 80 | | 350 mA | 40 mm |
| 12926003 | 3 W | 38° | 3.000 K | CRI > 80 | | 350 mA | 40 mm |
| 12925004 | 3 W | 38° | 4.000 K | CRI > 80 | | 350 mA | 40 mm |
| 12923383 | 6 W | 38° | 2.700 K | CRI > 80 | | 350 mA | 32 mm |
| 12923603 | 6 W | 60° | 2.700 K | CRI > 80 | | 350 mA | 32 mm |
| 12927383 | 6 W | 38° | 2.700 K | CRI > 90 | | 350 mA | 32 mm |
| 12924383 | 6 W | 38° | 3.000 K | CRI > 80 | | 350 mA | 32 mm |
| 12924603 | 6 W | 60° | 3.000 K | CRI > 80 | | 350 mA | 32 mm |
| 12928383 | 6 W | 38° | 3.000 K | CRI > 90 | | 350 mA | 32 mm |
| 12924384 | 6 W | 38° | 3.500 K | CRI > 80 | | 350 mA | 32 mm |
| 12924604 | 6 W | 60° | 3.500 K | CRI > 80 | | 350 mA | 32 mm |
| 12928384 | 6 W | 38° | 3.500 K | CRI > 90 | | 350 mA | 32 mm |
| 12923384 | 6 W | 38° | 4.000 K | CRI > 80 | | 350 mA | 32 mm |
| 12923604 | 6 W | 60° | 4.000 K | CRI > 80 | | 350 mA | 32 mm |
| 12927384 | 6 W | 38° | 4.000 K | CRI > 90 | | 350 mA | 32 mm |
| 12920183 | 6 W | 18° | 3.000 K | CRI > 80 | | 350 mA | 31 mm |
| 12920243 | 6 W | 24° | 3.000 K | CRI > 80 | | 350 mA | 31 mm |
| 12920003 | 6 W | 38° | 3.000 K | CRI > 80 | | 350 mA | 31 mm |
| 12920603 | 6 W | 60° | 3.000 K | CRI > 80 | | 350 mA | 31 mm |
| 12920184 | 6 W | 18° | 4.000 K | CRI > 80 | | 350 mA | 31 mm |
| 12920244 | 6 W | 24° | 4.000 K | CRI > 80 | | 350 mA | 31 mm |
| 12920004 | 6 W | 38° | 4.000 K | CRI > 80 | | 350 mA | 31 mm |
| 12920604 | 6 W | 60° | 4.000 K | CRI > 80 | | 350 mA | 31 mm |
| 12963383 | 6 W | 38° | 3.000 K - 1.800 K | CRI > 90 | | 350 mA | 32 mm |
| 12963603 | 6 W | 60° | 3.000 K - 1.800 K | CRI > 90 | | 350 mA | 32 mm |
| 12823003 | 8 W | 60° | 2.850 K | CRI > 90 | | 24.00 V | 50 mm |
| 12845604 | 8 W | 60° | 2.700 K - 6.500 K | CRI > 90 | | 24.00 V | 52 mm |
| 18438002 | 8 W | 60° | RGB+WW | CRI > 90 | | 24.00 V | 50 mm |
| 12929503 | 6.3 W | 50° | 2.700 K / 3.000 K / 4.000 K | CRI > 80 | | 350 mA | 34 mm |
| 12930503 | 5.9 W | 50° | 2.700 K / 3.000 K / 4.000 K | CRI > 90 | | 350 mA | 34 mm |
| 12933553 | 6 W | 55° | 2.700 K / 3.000 K / 4.000 K + dim-2warm (3.000 K - 2.200 K) | CRI > 90 | | 350 mA | 32 mm |

**M1 Wall surface mounted housing, square, recessed, flush with module bracket, pivoted, without LED module**

Article no. 45212550

Required accessories

Article no.: 17665000

LED converter 350 mA, switchable

Power: 1 - 3,2 W, Plug&Play

Dimensions: 52 mm x 30 mm x 23 mm

https://www.brumberg.com/fileadmin/products/Datenblatt_17665000_2021_DE.pdf

Article no.: 17662000

LED converter 350 mA, on/off switchable

Power: 1 - 7,2 W, Plug&Play

Dimensions: 68 mm x 35 mm x 21 mm

https://www.brumberg.com/fileadmin/products/Datenblatt_17662000_2021_DE.pdf

Article no.: 17652000

LED-round converter 350 mA, trailing-edge phase dimmer

Power: 4,9 - 7 W, Plug&Play

Dimensions: 51 mm x 24 mm

https://www.brumberg.com/fileadmin/products/Datenblatt_17652000_2021_DE.pdf

Article no.: 17658000

LED round converter 350 mA, DALI dimmable (digital)

Power: 2,1 - 9 W, Plug&Play

Dimensions: 56 mm x 25 mm

https://www.brumberg.com/fileadmin/products/Datenblatt_17658000_2021_DE.pdf