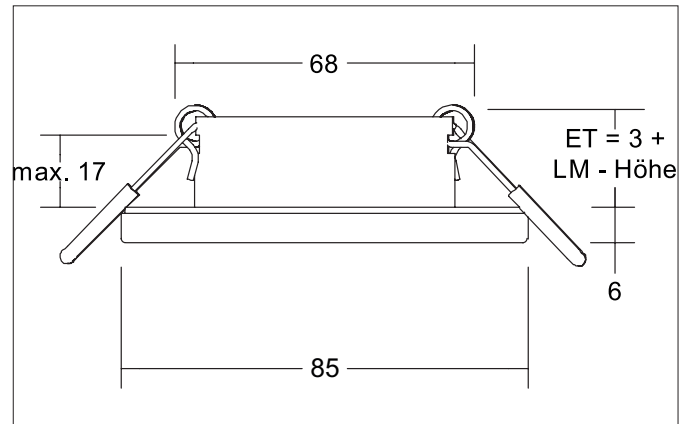




PROTECT-R Recessed downlight, IP44, without LED module

Article no. 20043170



Tender

Recessed downlight, IP44, without LED module, white structure, Round. In a compact design, for installation in tool-less rapid assembly systems. Lamp holder: Without fitting, Mounting method: Recessed mounting, Place of installation: Ceiling-mounted, Material: Aluminium / Glass, Degree of protection: according to DIN EN 60529 IP44, Protection class: (EN 61140) III, Power: 13 W, Amount of light sources / fittings: 1 piece, Adjustability: Not adjustable, without control gear, Type of dimming: Depending on driver.

Product Benefits

- Rigid recessed downlight in round design made of solid aluminum for LED modules with max. 12.5 W output.
- Protection class on room side IP44 (for installation in closed ceilings)
- Ceiling cut-out 68 mm, diameter 85 mm, installation depth 3 mm (plus height of LED module), ceiling thickness max. 17 mm.
- Without visible snap ring.
- LED module fitted from the room side, cover is screwed on.
- Classic, formally restrained design.
- Covered with satinized glass (also available with clear glass as a variant). available.
- Also available with the same surface structure and in the same color also available in a square version.


PROTECT-R Recessed downlight, IP44, without LED module

Article no. 20043170

Article data	
Article no.	20043170
GTIN	4251433981268
Series name	PROTECT-R
Short description	Recessed downlight, IP44, without LED module
Material	Aluminium / Glass
Colour	white structure
Type of surface	Structure
Shape	Round
Outer diameter	85 mm
Built-in diameter min.	58 mm
Built-in diameter max.	68 mm
Installation depth	75 mm
Hight	6 mm
Scope of delivery	incl. glass cover satin
Weight	0.083 kg
D licence plate	No
Conformance	CE, UKCA

Lighting technology	
Light output	Direct
Light sharing	Symmetric
Adjustable color temperature	No

Operating technology of the luminaire	
System output	13 W
Voltage type	DC
Lamp	For LED
Lamp holder	Without fitting
Protection class	III
Protection class on the ceiling side	IP20
Degree of protection	IP44
Control	Depending on driver
Energy efficiency class	not required

Mounting technology	
Mounting method	Recessed mounting
Place of installation	Ceiling-mounted
Adjustability	Not adjustable
Max. ceiling thickness	17 mm
Further references	No cover with thermal insulation material Smarthome
Material cover	Glass, satinised
Circlip	Without circlip

Packing data	
Gross weight	0.113 kg
Length of packaging	115 mm
Packaging width	88 mm
Packaging hight	54 mm
Disposal at end of life	<p>This product must not be disposed of with household waste. You are obliged, to dispose of such electrical waste separately.</p> <p>By disposing of electrical waste and other old or defective electronics separately, you support recycling or other forms of re-use. In that way you help to take care and to avoid that harmful substances get into the environment.</p>


PROTECT-R Recessed downlight, IP44, without LED module

Article no. 20043170

Compatible LED-modu-							
Article no.	Power	Beam angle	Colour temperature	Colour rendering		Input	Hight LED-Modul
12925003	3 W	38°	2.700 K	CRI > 80		350 mA	40 mm
12926003	3 W	38°	3.000 K	CRI > 80		350 mA	40 mm
12925004	3 W	38°	4.000 K	CRI > 80		350 mA	40 mm
12923383	6 W	38°	2.700 K	CRI > 80		350 mA	32 mm
12923603	6 W	60°	2.700 K	CRI > 80		350 mA	32 mm
12927383	6 W	38°	2.700 K	CRI > 90		350 mA	32 mm
12924383	6 W	38°	3.000 K	CRI > 80		350 mA	32 mm
12924603	6 W	60°	3.000 K	CRI > 80		350 mA	32 mm
12928383	6 W	38°	3.000 K	CRI > 90		350 mA	32 mm
12924384	6 W	38°	3.500 K	CRI > 80		350 mA	32 mm
12924604	6 W	60°	3.500 K	CRI > 80		350 mA	32 mm
12928384	6 W	38°	3.500 K	CRI > 90		350 mA	32 mm
12923384	6 W	38°	4.000 K	CRI > 80		350 mA	32 mm
12923604	6 W	60°	4.000 K	CRI > 80		350 mA	32 mm
12927384	6 W	38°	4.000 K	CRI > 90		350 mA	32 mm
12920183	6 W	18°	3.000 K	CRI > 80		350 mA	31 mm
12920243	6 W	24°	3.000 K	CRI > 80		350 mA	31 mm
12920003	6 W	38°	3.000 K	CRI > 80		350 mA	31 mm
12920603	6 W	60°	3.000 K	CRI > 80		350 mA	31 mm
12920184	6 W	18°	4.000 K	CRI > 80		350 mA	31 mm
12920244	6 W	24°	4.000 K	CRI > 80		350 mA	31 mm
12920004	6 W	38°	4.000 K	CRI > 80		350 mA	31 mm
12920604	6 W	60°	4.000 K	CRI > 80		350 mA	31 mm
12963383	6 W	38°	3.000 K - 1.800 K	CRI > 90		350 mA	32 mm
12963603	6 W	60°	3.000 K - 1.800 K	CRI > 90		350 mA	32 mm
12953003	12 W	38°	2.700 K	CRI > 80		350 mA	70 mm
12954003	12 W	38°	3.000 K	CRI > 80		350 mA	70 mm
12954004	12 W	38°	3.500 K	CRI > 80		350 mA	70 mm
12953004	12 W	38°	4.000 K	CRI > 80		350 mA	70 mm
12965003	12 W	38°	3.000 K - 1.800 K	CRI > 90		350 mA	70 mm
12983003	12.5 W	38°	3.000 K	CRI > 97		350 mA	95 mm
12823003	8 W	60°	2.850 K	CRI > 90		24.00 V	52 mm
12845604	8 W	60°	2.700 K - 6.500 K	CRI > 90		24.00 V	52 mm
18438002	8 W	60°	RGB+WW	CRI > 90		24.00 V	52 mm
12929503	6.3 W	50°	2.700 K / 3.000 K / 4.000 K	CRI > 80		350 mA	34 mm
12930503	5.9 W	50°	2.700 K / 3.000 K / 4.000 K	CRI > 90		350 mA	34 mm
12933553	6 W	55°	2.700 K / 3.000 K / 4.000 K + dim-2warm (3.000 K - 2.200 K)	CRI > 90		350 mA	32 mm



PROTECT-R Recessed downlight, IP44, without LED module
Article no. 20043170

Optional accessories

Article no.: 81201170

Reducing ring D 110 mm, for luminaire cut-out size 68 mm

Dimensions: 110 mm

https://www.brumberg.com/fileadmin/products/Datenblatt_81201170_2021_DE.pdf

Article no.: 81202170

Reducing ring D 130 mm, for luminaire cut-out size 68 mm

Dimensions: 130 mm

https://www.brumberg.com/fileadmin/products/Datenblatt_81202170_2021_DE.pdf

Article no.: 81203170

Reducing ring D 145 mm, for luminaire cut-out size 68 mm

Dimensions: 145 mm

https://www.brumberg.com/fileadmin/products/Datenblatt_81203170_2021_DE.pdf