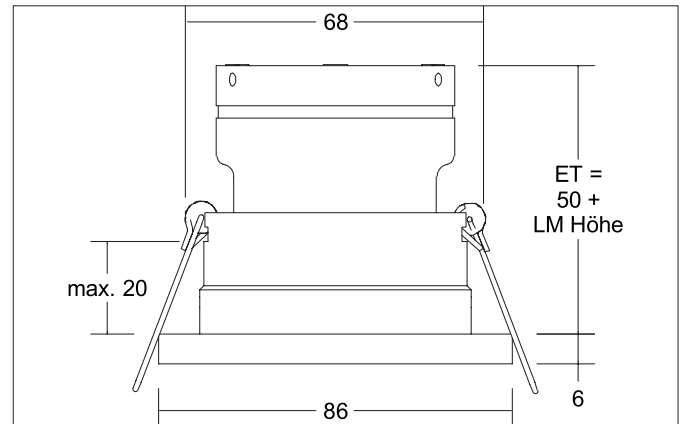



STEAM-R Recessed downlight, V4A, IP65
 Article no. 37015080

Tender

Recessed downlight, V4A, IP65, Round. Toolless ceiling installation by installation springs. Ceiling cut-out \varnothing 68 mm, Installation depth 75 mm, Outer diameter 86 mm, Weight 0,213 kg, with rotationssymmetrical, deep, wide distributed light intensity. Cover glass, satinised with Lamp holder Without fitting max: 13 W, Delivery without bulb. Housing material: Stainless Steel V4A / Aluminum / Nylon / Glass, Colour: black structure, Permissible ambient temperature (t_a): -20 °C up to +90 °C, Protection class (EN 61140): III, Degree of protection (DIN EN 60529): IP65. For connection to an external driver, which is not included in the scope of delivery of the luminaire. Depending on driver dimmable.


STEAM-R Recessed downlight, V4A, IP65

Article no. 37015080

| Article data | |
|------------------------|--|
| Article no. | 37015080 |
| GTIN | 4251433981008 |
| Series name | STEAM-R |
| Short description | Recessed downlight, V4A, IP65 |
| Material | Stainless Steel V4A / Aluminum / Nylon / Glass |
| Colour | black structure |
| Type of surface | Structure |
| Shape | Round |
| Outer diameter | 86 mm |
| Built-in diameter min. | 68 mm |
| Built-in diameter max. | 68 mm |
| Installation depth | 75 mm |
| Hight | 6 mm |
| Scope of delivery | Incl. rear LED module holder and satined glass |
| Weight | 0.213 kg |
| D licence plate | No |
| Conformance | CE, UKCA |

| Lighting technology | |
|------------------------------|-----------|
| Light output | Direct |
| System efficiency | 13 lm/W |
| Light sharing | Symmetric |
| Adjustable color temperature | No |

| Operating technology of the luminaire | |
|---------------------------------------|---------------------|
| System output | 13 W |
| Voltage type | DC |
| Lamp | For LED |
| Lamp holder | Without fitting |
| Protection class | III |
| Protection class on the ceiling side | IP20 |
| Degree of protection | IP65 |
| Ambient temperature | -20°C up to +90°C |
| Control | Depending on driver |
| Energy efficiency class | not required |

| Mounting technology | |
|------------------------|---|
| Mounting method | Recessed mounting |
| Place of installation | Ceiling-mounted |
| Adjustability | Not adjustable |
| Max. ceiling thickness | 20 mm |
| Further references | V4A Outdoor No cover with thermal insulation material Smarthome |
| Material cover | Glass, satinised |
| Circlip | Without circlip |

| Packing data | |
|-------------------------|---|
| Gross weight | 0.246 kg |
| Length of packaging | 100 mm |
| Packaging width | 90 mm |
| Packaging hight | 82 mm |
| Disposal at end of life | This product must not be disposed of with household waste. You are obliged, to dispose of such electrical waste separately. By disposing of electrical waste and other old or defective electronics separately, you support recycling or other forms of re-use. In that way you help to take care and to avoid that harmful substances get into the environment. |


STEAM-R Recessed downlight, V4A, IP65

Article no. 37015080

| Compatible LED-modu- | | | | | | | |
|----------------------|--------|------------|---|------------------|--|---------|-----------------|
| Article no. | Power | Beam angle | Colour temperature | Colour rendering | | Input | Hight LED-Modul |
| 12925003 | 3 W | 38° | 2.700 K | CRI > 80 | | 350 mA | 40 mm |
| 12926003 | 3 W | 38° | 3.000 K | CRI > 80 | | 350 mA | 40 mm |
| 12925004 | 3 W | 38° | 4.000 K | CRI > 80 | | 350 mA | 40 mm |
| 12923383 | 6 W | 38° | 2.700 K | CRI > 80 | | 350 mA | 32 mm |
| 12923603 | 6 W | 60° | 2.700 K | CRI > 80 | | 350 mA | 32 mm |
| 12927383 | 6 W | 38° | 2.700 K | CRI > 90 | | 350 mA | 32 mm |
| 12924383 | 6 W | 38° | 3.000 K | CRI > 80 | | 350 mA | 32 mm |
| 12924603 | 6 W | 60° | 3.000 K | CRI > 80 | | 350 mA | 32 mm |
| 12928383 | 6 W | 38° | 3.000 K | CRI > 90 | | 350 mA | 32 mm |
| 12924384 | 6 W | 38° | 3.500 K | CRI > 80 | | 350 mA | 32 mm |
| 12924604 | 6 W | 60° | 3.500 K | CRI > 80 | | 350 mA | 32 mm |
| 12928384 | 6 W | 38° | 3.500 K | CRI > 90 | | 350 mA | 32 mm |
| 12923384 | 6 W | 38° | 4.000 K | CRI > 80 | | 350 mA | 32 mm |
| 12923604 | 6 W | 60° | 4.000 K | CRI > 80 | | 350 mA | 32 mm |
| 12927384 | 6 W | 38° | 4.000 K | CRI > 90 | | 350 mA | 32 mm |
| 12920183 | 6 W | 18° | 3.000 K | CRI > 80 | | 350 mA | 31 mm |
| 12920243 | 6 W | 24° | 3.000 K | CRI > 80 | | 350 mA | 31 mm |
| 12920003 | 6 W | 38° | 3.000 K | CRI > 80 | | 350 mA | 31 mm |
| 12920603 | 6 W | 60° | 3.000 K | CRI > 80 | | 350 mA | 31 mm |
| 12920184 | 6 W | 18° | 4.000 K | CRI > 80 | | 350 mA | 31 mm |
| 12920244 | 6 W | 24° | 4.000 K | CRI > 80 | | 350 mA | 31 mm |
| 12920004 | 6 W | 38° | 4.000 K | CRI > 80 | | 350 mA | 31 mm |
| 12920604 | 6 W | 60° | 4.000 K | CRI > 80 | | 350 mA | 31 mm |
| 12963383 | 6 W | 38° | 3.000 K - 1.800 K | CRI > 90 | | 350 mA | 32 mm |
| 12963603 | 6 W | 60° | 3.000 K - 1.800 K | CRI > 90 | | 350 mA | 32 mm |
| 12953003 | 12 W | 38° | 2.700 K | CRI > 80 | | 350 mA | 70 mm |
| 12954003 | 12 W | 38° | 3.000 K | CRI > 80 | | 350 mA | 70 mm |
| 12954004 | 12 W | 38° | 3.500 K | CRI > 80 | | 350 mA | 70 mm |
| 12953004 | 12 W | 38° | 4.000 K | CRI > 80 | | 350 mA | 70 mm |
| 12965003 | 12 W | 38° | 3.000 K - 1.800 K | CRI > 90 | | 350 mA | 70 mm |
| 12983003 | 12.5 W | 38° | 3.000 K | CRI > 97 | | 350 mA | 95 mm |
| 12823003 | 8 W | 60° | 2.850 K | CRI > 90 | | 24.00 V | 50 mm |
| 12845604 | 8 W | 60° | 2.700 K - 6.500 K | CRI > 90 | | 24.00 V | 52 mm |
| 18438002 | 8 W | 60° | RGB+WW | CRI > 90 | | 24.00 V | 50 mm |
| 12929503 | 6.3 W | 50° | 2.700 K / 3.000 K / 4.000 K | CRI > 80 | | 350 mA | 34 mm |
| 12930503 | 5.9 W | 50° | 2.700 K / 3.000 K / 4.000 K | CRI > 90 | | 350 mA | 34 mm |
| 12933553 | 6 W | 55° | 2.700 K / 3.000 K / 4.000 K + dim-2warm (3.000 K - 2.200 K) | CRI > 90 | | 350 mA | 32 mm |