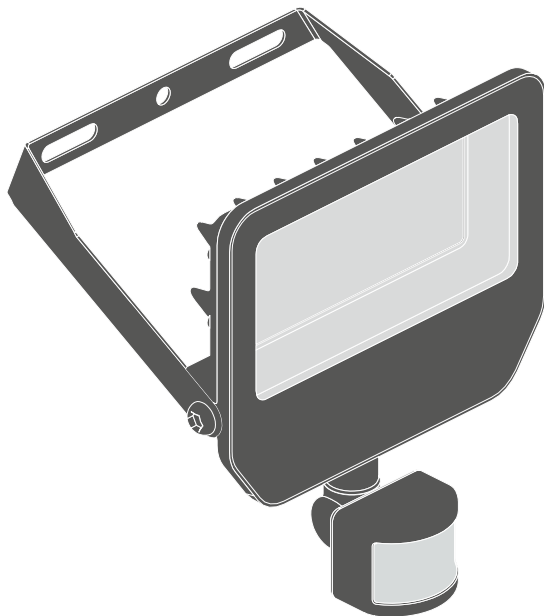


FLOODLIGHT COMPACT SENSOR GEN 2



LEDVANCE



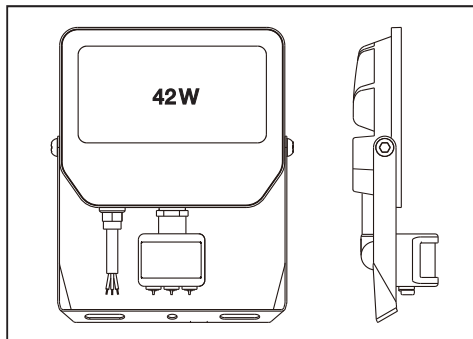
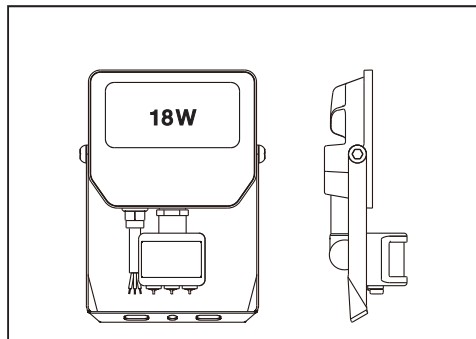
| | EAN | l x w x h [mm] | f [Hz] | U [V] | * P [W] | ** Ph _{Lv} [lm] | *** Eff. [lm/W] | CCT [K] |
|-------------------------------------|---------------|-------------------|--------|---------|------------|-----------------------------|--------------------|----------------|
| FL COMP SN 10/20 V 18W ML8304065 BK | 4099854832307 | 126x168x57 | 50/60 | 220-240 | 18 | 2400 | 135 | 3000/4000/6500 |
| FL COMP SN 30/50 V 42W ML8304065 BK | 4099854832321 | 163x197x57 | 50/60 | 220-240 | 42 | 6100 | 145 | 3000/4000/6500 |

| | EAN | IP | IK | ∠ [°] | R _a | °C [°C] | PF | ⚖ [kg] |
|-------------------------------------|---------------|----|-------|-------|----------------|-----------|-------|--------|
| FL COMP SN 10/20 V 18W ML8304065 BK | 4099854832307 | 65 | 06/05 | 100 | > 80 | -30...+45 | > 0.8 | 0.4 |
| FL COMP SN 30/50 V 42W ML8304065 BK | 4099854832321 | 65 | 06/05 | 100 | > 80 | -30...+45 | > 0.9 | 0.6 |

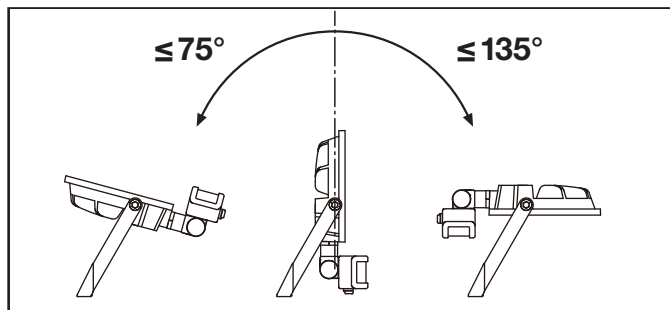
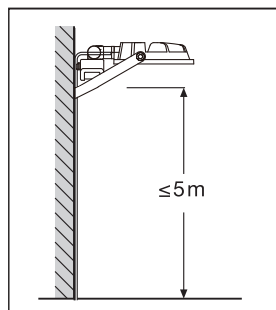
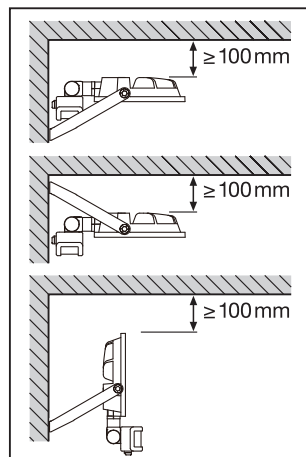
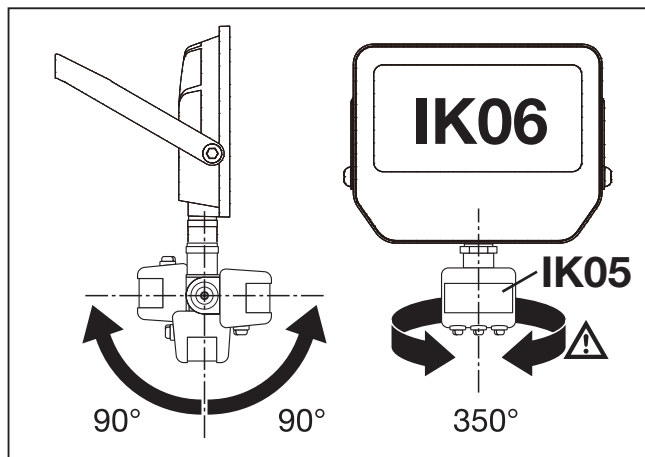
| FL COMP SN 10/20 V 18W | | | | | | |
|--------------------------|------|------|------|------|------|------|
| * P [W] | 18 | | | 9 | | |
| CCT [K] | 3000 | 4000 | 6500 | 3000 | 4000 | 6500 |
| ** Ph _{Lv} [lm] | 2160 | 2400 | 2250 | 1200 | 1350 | 1300 |
| *** Eff. [lm/W] | 120 | 135 | 125 | 135 | 150 | 145 |

| FL COMP SN 30/50 V 42W | | | | | | |
|--------------------------|------|------|------|------|------|------|
| * P [W] | 42 | | | 24 | | |
| CCT [K] | 3000 | 4000 | 6500 | 3000 | 4000 | 6500 |
| ** Ph _{Lv} [lm] | 5600 | 6100 | 5800 | 3300 | 3600 | 3400 |
| *** Eff. [lm/W] | 135 | 145 | 140 | 140 | 150 | 145 |

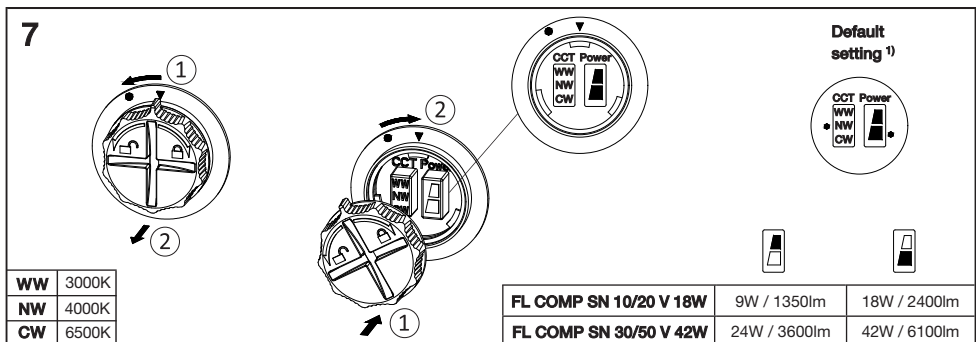
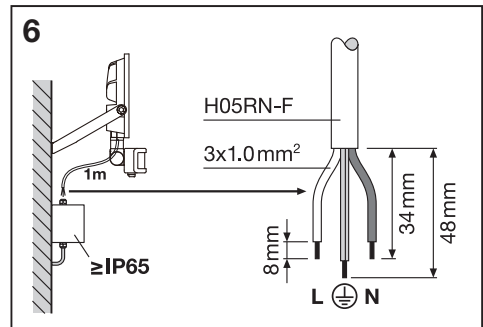
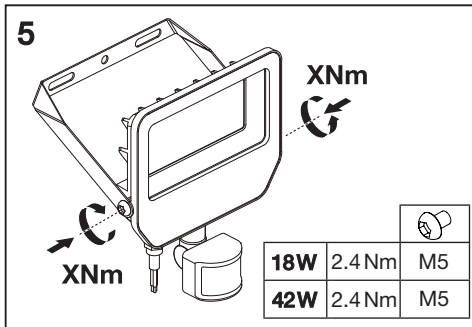
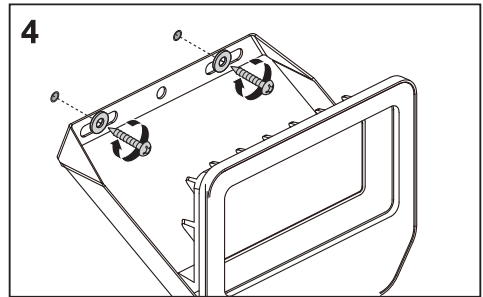
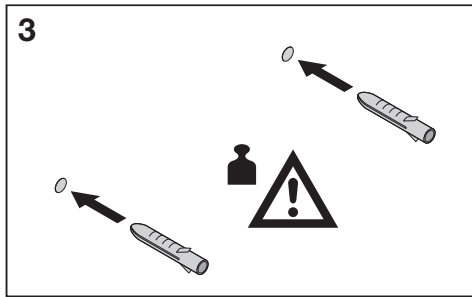
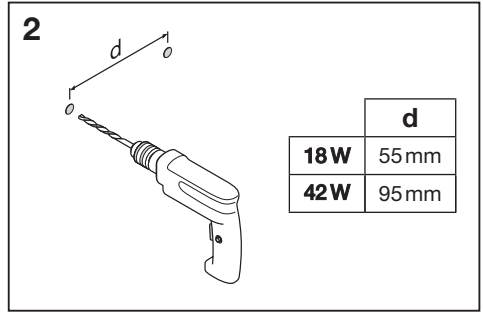
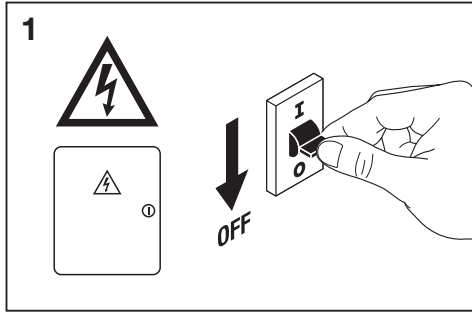
FLOODLIGHT COMPACT SENSOR GEN 2



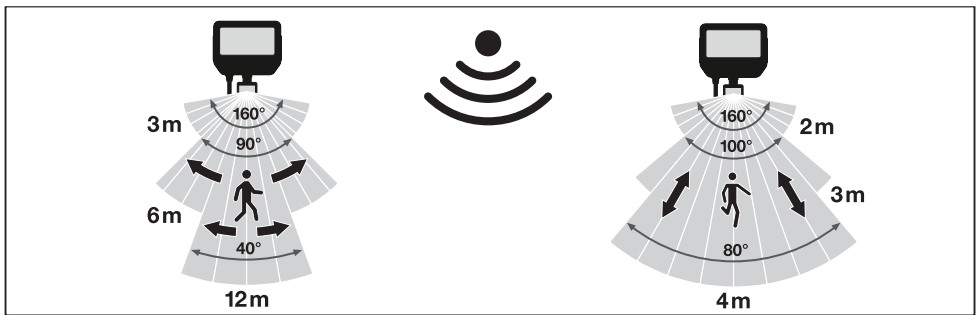
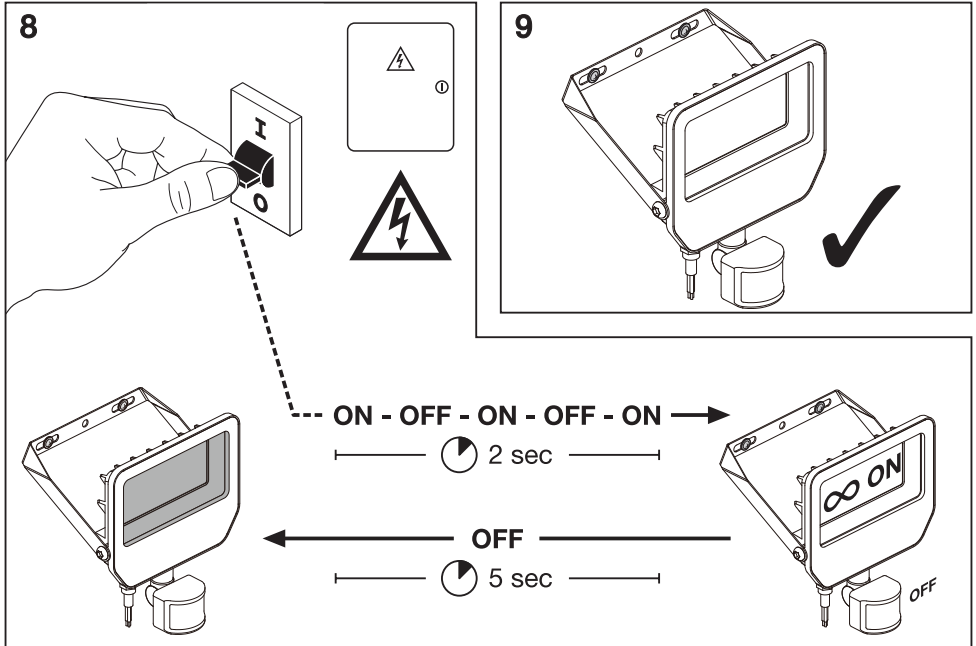
| | A | B | C | Screw | Beam angle & Coverage | 230 Vac | | |
|-----|-----|----|-----|-------|-----------------------|---------|------|------|
| | | | | | | C10A | B16A | C16A |
| 18W | 70 | 40 | 5.5 | 2xM5 | 0.010m ² | 76 | 96 | 123 |
| 42W | 110 | 80 | 5.5 | 2xM5 | 0.018m ² | 20 | 26 | 33 |



FLOODLIGHT COMPACT SENSOR GEN 2

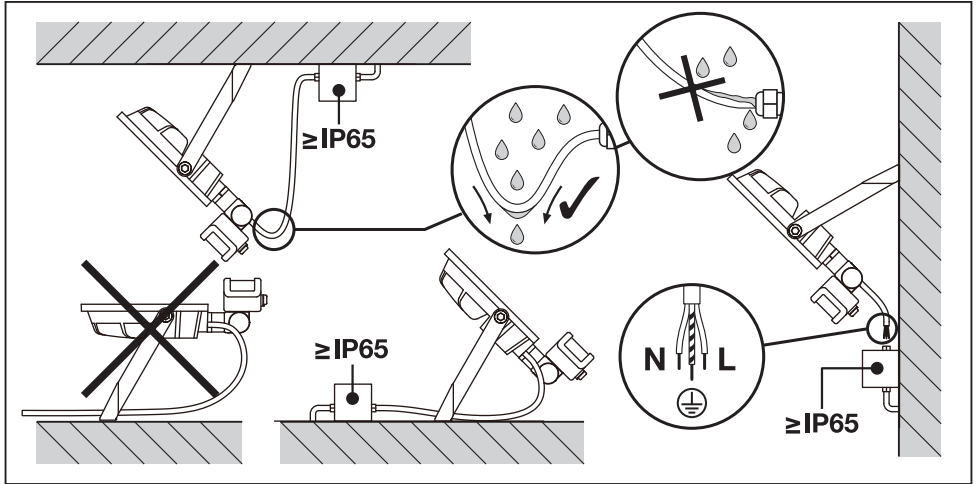


FLOODLIGHT COMPACT SENSOR GEN 2



| | SENS | LUX | TIME |
|--|-----------------|----------------|-----------------|
| | ~2m | < 10lx | ~10 sec ±3sec |
| | ~6m | < 100lx | ~5 min ±2 min |
| | ~12m | < 2000lx | ~12 min ±3min |

FLOODLIGHT COMPACT SENSOR GEN 2



(Ⓢ) 1) Default setting (Ⓢ) 1) Standardeinstellung (Ⓢ) 1) Paramètres par défaut (Ⓢ) 1) Impostazioni predefinite (Ⓢ) 1) Configuración predeterminada (Ⓢ) 1) Configuração predefinida (Ⓢ) 1) Proepilegméni rýthmisi (Ⓢ) 1) Standaard instelling (Ⓢ) 1) Standardinställning (Ⓢ) 1) Oletusasetus (N) 1) Standardinnstilling (Ⓢ) 1) Standardindstilling (Ⓢ) 1) Výchozí nastavení (Ⓢ) 1) Стандартная настройка (H) 1) Alapértelmezett beállítás (Ⓢ) 1) Ustawienie domyślne (Ⓢ) 1) Predvolené nastavenie (Ⓢ) 1) Privzeta nastavitev (Ⓢ) 1) Varsayilan ayar (Ⓢ) 1) Zadane postavke (Ⓢ) 1) Setare implicite (Ⓢ) 1) Настройка по подразбиране (Ⓢ) 1) Vaikimisi seadistus (Ⓢ) 1) Numatytais nustatymas (Ⓢ) 1) Noklusētais iestatījums (Ⓢ) 1) Podrazumevano podešavanje (Ⓢ) 1) Стандартне налаштування (Ⓢ) 1) Әдепкі параметр

LEDVANCE SASU
 CQM, 5 rue d'Altorf
 67120 Molsheim France
www.ledvance.com

(Ⓢ) LEDVANCE Ltd, Sterling House,
 810 Mandarin Court, Warrington,
 Cheshire, WA1 1GG, United Kingdom

C10449057
 G11278292
 27.01.26

Cet appareil se recycle
 À DÉPOSER EN MAGASIN OU À DÉPOSER EN DÉCHÈTERIE
 Points de collecte sur www.quefairede mesdechets.fr
 Privilégiez la réparation ou le don de votre appareil !