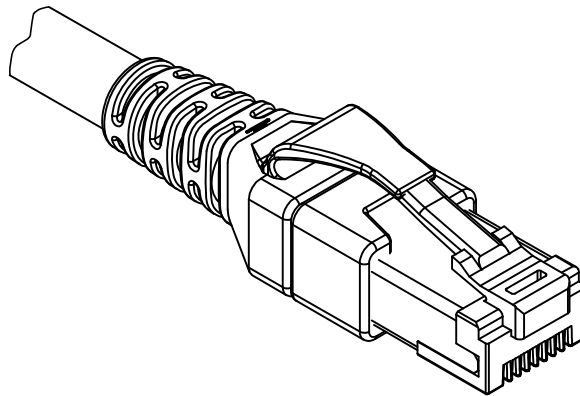



Technical Datasheet

EasyLan[®] Patch Cord DualBoot[®] Cat.6_A ISO/IEC

Article No. : see on page 3




				drawn	14.09.2017	LP	 EasyLan[®] ...for a better connectivity
				appr.	14.09.2017	MJ	
j i h g f e d c b a	Änderung	10.02.2026	MW	Titel: EasyLan [®] Patch Cord DualBoot [®] Cat.6 _A ISO/IEC		Dimensions: mm	
	Änderung	02.11.2023	MW			Original: DIN A4	
Index	Revision Code	Date	Name	Drawing Number:		Sheet 1 of 3	
				ZN-CU171139			

Technical Data

General Data	
Connection	1:1
Colors	white, black, gray, red, yellow, green, blue, turquoise, violet, orange
Identification possibility	Colorclips (Order No.: CPZHS7BOX)
Cable Characteristics	
Cable type	S/FTP
Number twisting elements	4P+1
Twisting elements	Pair
Configuration	LSHF (LSOH) acc. EN50290-2-27
Braid	AWG26/7
Category	Cat. 6 _A ISO/IEC
Shielding	shielded
Connector Characteristics	
Housing material	Polycarbonate
Pin plating	Au (Gold)
Environmental Conditions	
Temperature range during operation	-25°C to + 60°C
Temperature range during installation	0°C to + 50°C
Approvals	
RoHS	conform
Standards	
General requests	ISO/IEC 11801 Ed.2.2: 2011-06 DIN EN 50173-1: 2011-09 TIA/EIA 568-C.2 IEC 60332-1
Plug	DIN EN 60603-7
Transmission Characteristics	
Category (ISO)	6 _A
Category (TIA)	6 _A
Remote powering	yes
PoE	IEEE 802.3af
PoE +	IEEE 802.3at
PoE ++	IEEE 802.3bt
UPoE	yes
HDBaseT	yes
Bit rate up to 10 GBit	IEEE 802.3an

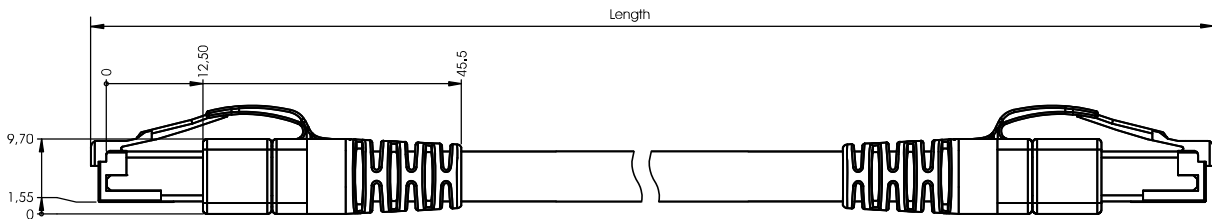
All rights reserved ZVK GmbH D-94244 Teisnach Technologiecampus 2 Germany Phone: +49 9923 804379-0 Fax: +49 9923 804379-50 www.zvk-gmbh.de all data without guarantee

				drawn	14.09.2017	LP	 EasyLan [®] ...for a better connectivity
				appr.	14.09.2017	MJ	
j	Änderung	10.02.2026	MW	Titel: EasyLan[®] Patch Cord DualBoot[®] Cat.6_A ISO/IEC Drawing Number: ZN-CU171139		Dimensions: mm Original: DIN A4 Sheet 2 of 3	
i	Änderung	02.11.2023	MW				
h	Änderung	13.01.2023	MW				
g	Änderung	17.10.2022	MW				
f	Änderung	28.10.2021	MW				
e	Änderung	08.10.2021	MW				
d	Änderung	17.02.2020	LP				
c	Änderung	22.08.2019	LP				
b	Änderung	11.06.2019	LP				
a	Neuerstellung	14.09.2017	LP				
Index	Revision Code	Date	Name				

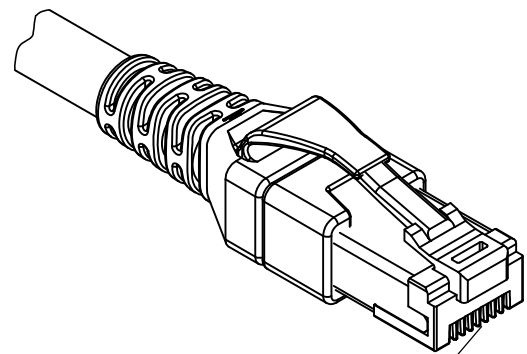
Technical Data

Electrical Characteristics	
Loop resistance	290 Ω/km
Insulation resistance	≥5000 MΩ*km
Characteristic impedance	100 ± 3Ω
Propagation delay	10ns / 100m
Packaging Unit	0,1 m - ≤5,0 m = 5 pcs >5,0 m = 1 pc

Drawing




Color	Order No.
white	CP1OWAWAWxxxx*
black	CP1OSASASxxxx*
gray	CP1OAAAAAxxxx*
red	CP1ORARARxxxx*
yellow	CP1OYAYAYxxxx*
green	CP1OGAGAGxxxx*
blue	CP1OBABABxxxx*
turquoise	CP1OTATATxxxx*
violet	CP1OVAVAVxxxx*
orange	CP1OOAOAOxxxx*



Dimensions RJ45 according to IEC 60603-7

*Length in dm (xxxx)
e.g. 0010 = 1 m

j i h g f e d c b a	Änderung Änderung Änderung Änderung Änderung Änderung Änderung Änderung Änderung Neuerstellung	10.02.2026 02.11.2023 13.01.2023 17.10.2022 28.10.2021 08.10.2021 17.02.2020 22.08.2019 11.06.2019 14.09.2017	MW MW MW MW MW LP LP LP LP	drawn	14.09.2017	LP
				appr.	14.09.2017	MJ
Index	Revision Code	Date	Name	Titel: EasyLan® Patch Cord DualBoot® Cat.6_A ISO/IEC		
				Drawing Number: ZN-CU171139		
				 EasyLan® ...for a better connectivity		
				Dimensions: mm		
				Original: DIN A4		
				Sheet 3 of 3		