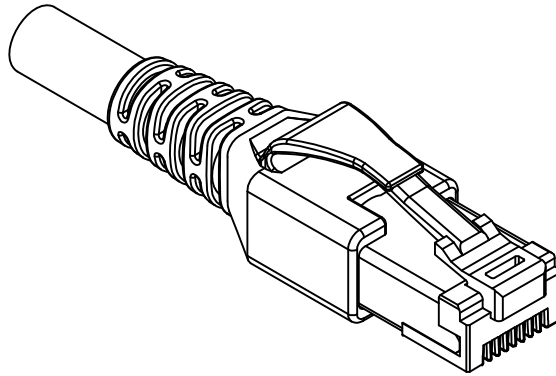



Technical Datasheet

EasyLan[®] Patch Cord FlexBoot Cat.6_A ISO/IEC

Article No. : see on page 3



<small>g f e d c b a</small>	<small>Änderung Änderung Änderung Änderung Erweiterung Erweiterung Neuerstellung</small>	<small>12.02.2026 13.06.2022 26.10.2021 22.08.2019 11.06.2019 26.09.2017 24.05.2017</small>	<small>MW MW LP LP LP LP</small>	drawn	24.05.2017	LP	 EasyLan[®] <small>...for a better connectivity</small>			
				appr.	24.05.2017	MJ				
				Titel:				EasyLan[®] Patch Cord FlexBoot Cat.6_A ISO/IEC		
				Drawing Number:						
				Index	Revision Code	Date		Name	ZN-CU171074	

Technical Data

General Data	
Connection	1:1
Colors	white, black, gray, red, yellow, green, blue, turquoise, violet, orange
Identification possibility	Colorclips (Order No.: CPZHS7BOX)
Cable Characteristics	
Cable type	S/FTP
Number twisting elements	4P+1
Twisting elements	Pair
Configuration	FRNC / LSZH
Braid	AWG26/7
Category	Cat. 6 _A ISO/IEC
Shielding	shielded
Connector Characteristics	
Housing material	Polycarbonate
Pin plating	Au (Gold)
Environmental Conditions	
Temperature range during operation	-25°C to + 60°C
Temperature range during installation	0°C to + 50°C
Approvals	
RoHS	conform
Standards	
General requests	ISO/IEC 11801 Ed.2.2: 2011-06 DIN EN 50173-1: 2011-09 TIA/EIA 568-C.2 IEC 60332-1
Plug	DIN EN 60603-7
Transmission Characteristics	
Category (ISO)	6 _A
Category (TIA)	6 _A
Remote powering	yes
PoE	IEEE 802.3af
PoE +	IEEE 802.3at
PoE ++	IEEE 802.3bt
UPoE	yes
HDBaseT	yes
Bit rate up to 10 GBit	IEEE 802.3an

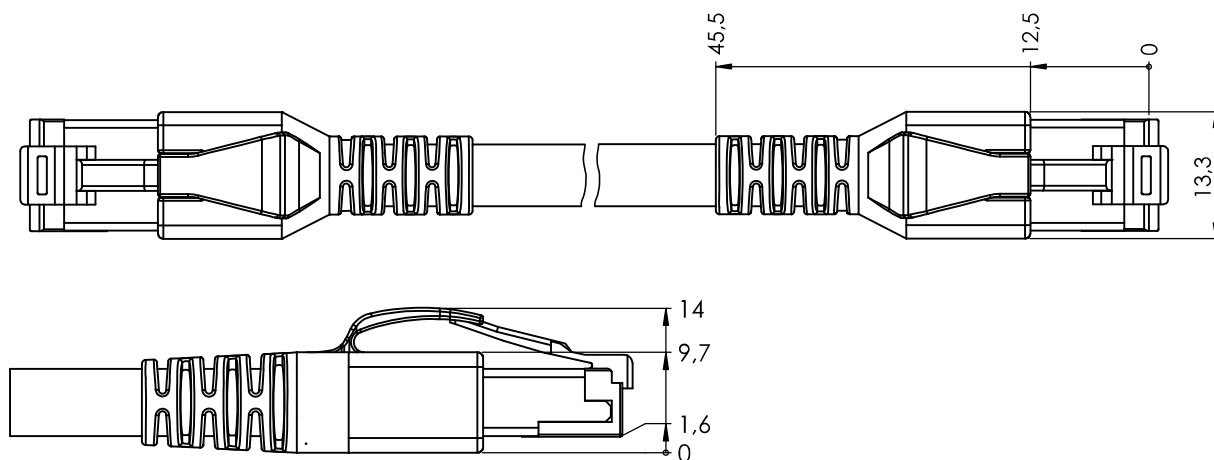
All rights reserved ZVK GmbH D-94244 Teisnach Technologiecampus 2 Germany Phone: +49 9923 804379-0 Fax: +49 9923 804379-50 www.zvk-gmbh.de all data without guarantee

g Änderung f Änderung e Änderung d Änderung c Erweiterung b Erweiterung a Neuerstellung	12.02.2026 13.06.2022 26.10.2021 22.08.2019 11.06.2019 26.09.2017 24.05.2017	MW MW MW LP LP LP LP	drawn	24.05.2017	LP		
			appr.	24.05.2017	MJ		
			Titel: EasyLan® Patch Cord FlexBoot Cat.6_A ISO/IEC				Dimensions: mm
			Drawing Number: ZN-CU171074				Original: DIN A4
Index	Revision Code	Date	Name	Sheet 2 of 3			

Technical Data

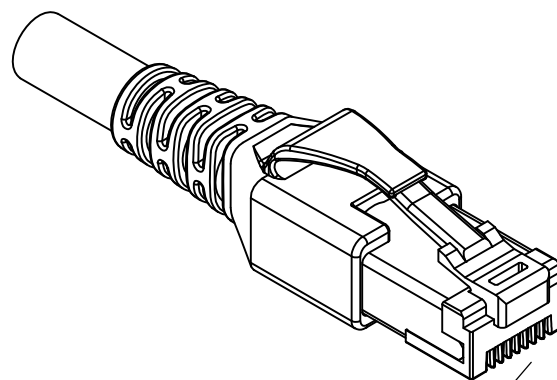
Electrical Characteristics	
Loop resistance	290 Ω/km
Insulation resistance	≥5000 MΩ*km
Characteristic impedance	100 ± 3Ω
Propagation delay	10ns / 100m
Packaging Unit	0,1 m - ≤5,0 m = 5 pcs >5,0 m = 1 pc

Drawing



Color	Order No.
white	CP1KWBWBW0000*
black	CP1KSBSBS0000*
gray	CP1KABABA0000*
red	CP1KRBRBR0000*
yellow	CP1KYBYBY0000*
green	CP1KGBGBG0000*
blue	CP1KBBBBB0000*
turquoise	CP1KTBTBT0000*
violet	CP1KVBVBV0000*
orange	CP1KOBBOB0000*

*Length in dm
e.g. 0010 = 1 m



Dimensions RJ45
according to IEC 60603-7

g f e d c b a	Änderung Änderung Änderung Änderung Erweiterung Erweiterung Neuerstellung	12.02.2026 13.06.2022 26.10.2021 22.08.2019 11.06.2019 26.09.2017 24.05.2017	MW MW LP LP LP LP	drawn	24.05.2017	LP
				appr.	24.05.2017	MJ
Index				Revision Code		
Date				Name		
Title:				EasyLan® Patch Cord FlexBoot Cat.6 _A ISO/IEC		
Drawing Number:				ZN-CU171074		



Dimensions: mm

Original: DIN A4

Sheet 3 of 3