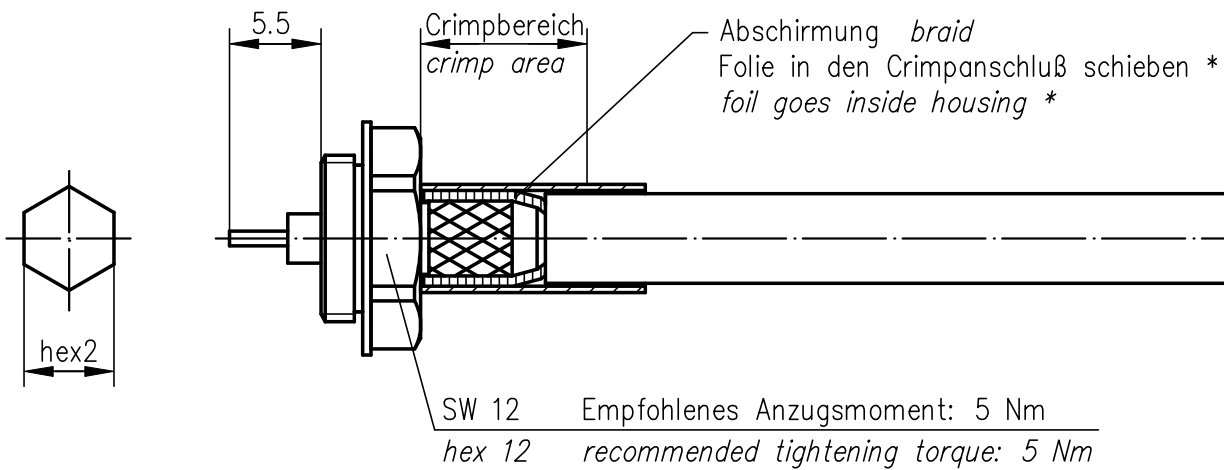
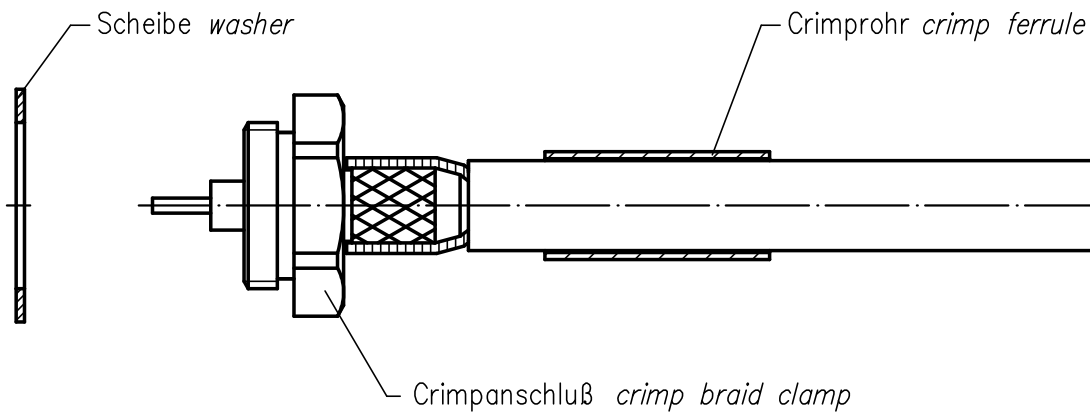
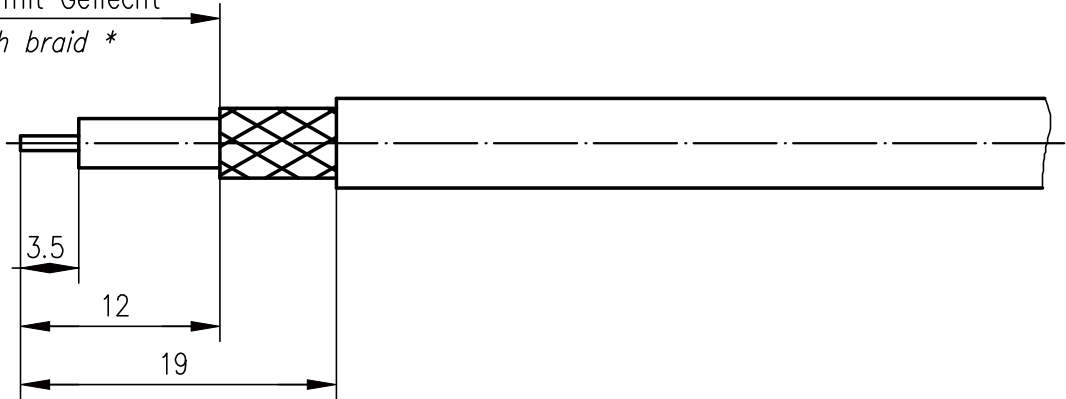


Folie bündig mit Geflecht \*  
foil even with braid \*



\* nur für Kabel mit Folie / only for cables with foil

|    |                              |                                |                                |  |
|----|------------------------------|--------------------------------|--------------------------------|--|
| XX | Crimpeinsatz<br>crimp insert | 6kt.1 x Länge<br>hex1 x length | 6kt.2 x Länge<br>hex2 x length |  |
| 05 | N01003A0005                  |                                | 5.41x8                         |  |
| 31 | N01003A0056                  |                                | 6.48x8                         |  |

|                |                          |               |              |
|----------------|--------------------------|---------------|--------------|
| g              | 27998                    | 20.07.16      | GB           |
| f              | 23387                    | 14.12.11      | MA           |
| e              | 17233                    | 25.11.05      | JA           |
| d              | 10298                    | 14.04.99      | BJ           |
| Index<br>index | Änderung<br>modification | Datum<br>date | Name<br>name |

|                |               |              |
|----------------|---------------|--------------|
|                | Datum<br>date | Name<br>name |
| Gez.<br>drawn  | 18.06.90      | JB           |
| Gepr.<br>app'd | 14.09.92      | Mah          |

**Cable Clamp  
Kabelabfangung**

|                 |                       |
|-----------------|-----------------------|
| Unterr.-<br>Art | TG-Nr.<br>T00100D0100 |
|-----------------|-----------------------|



|                      |    |                |     |
|----------------------|----|----------------|-----|
| Original<br>original | A4 | Blatt<br>sheet | 1/1 |
|----------------------|----|----------------|-----|

|                  |     |
|------------------|-----|
| Maßstab<br>scale | 2:1 |
|------------------|-----|

Ersatz für/replacement for