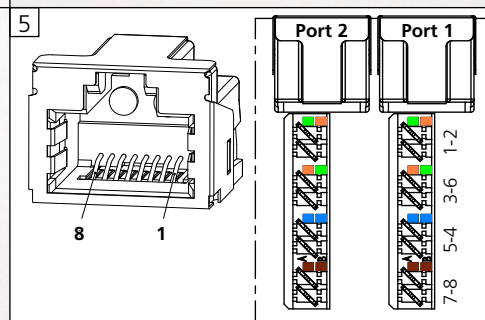
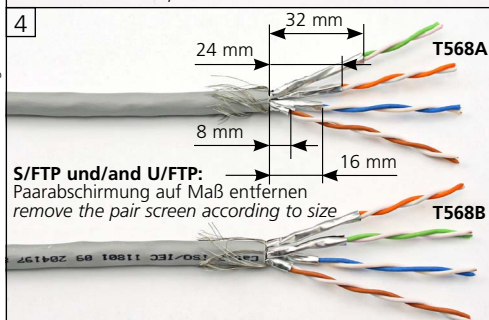
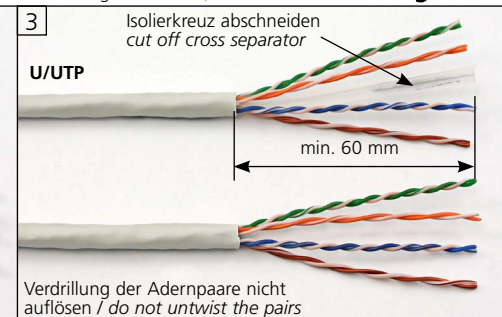
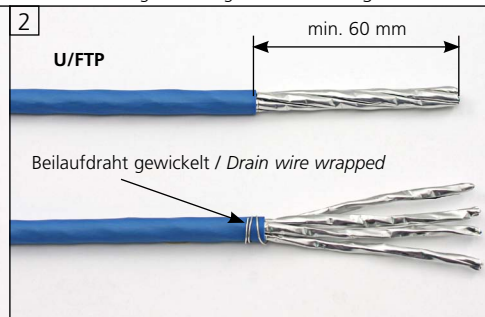
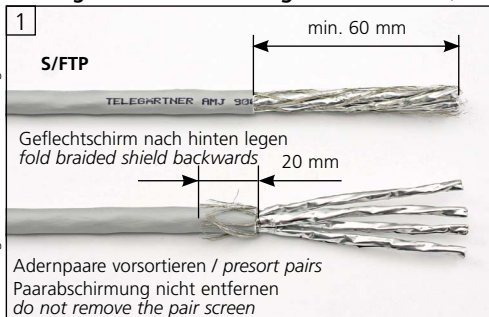


19" Modular Patch Panel MPP 24-HS K Cat. 6_A / MPP 24-H K Cat. 6A

19" Modular Patch Panel MPP 24-HS K Cat. 6/Class E

Montagehinweis / *Mounting informations* (B05030A0373 Montageanleitung siehe / *Mounting instructions* see www.telegaertner.com)



6

Anschluss Connection		Anwendung / Application				
Farbcode Colour code A	Farbcode Colour code B	RJ45 PIN Nr./No.	10BT/100BT	1 Gigabit/10 Gigabit Ethernet	Token Ring ISDN/So	Upo/TEL
W - G	W - O	1	•	•		
G	O	2	•	•		
W - O	W - G	3	•	•	•	
BL	BL	4		•	•	•
W - BL	W - BL	5		•	•	•
O	G	6		•	•	
W - BR	W - BR	7		•		
BR	BR	8		•		

