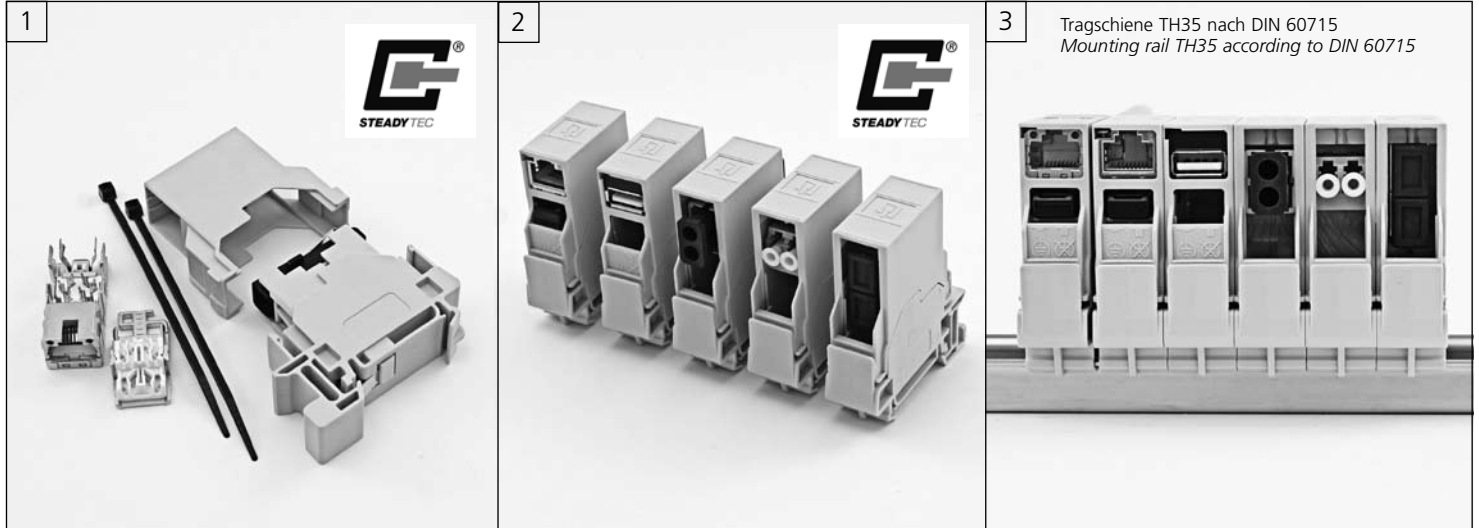


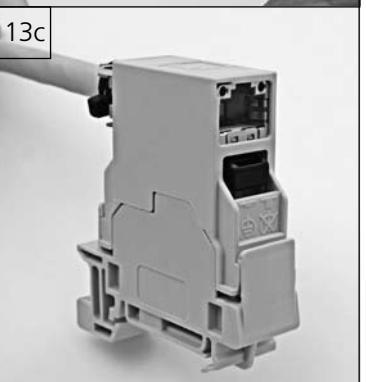
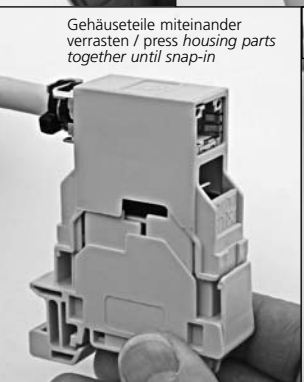
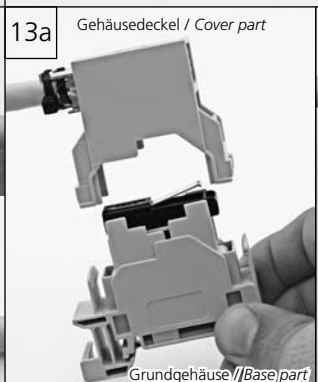
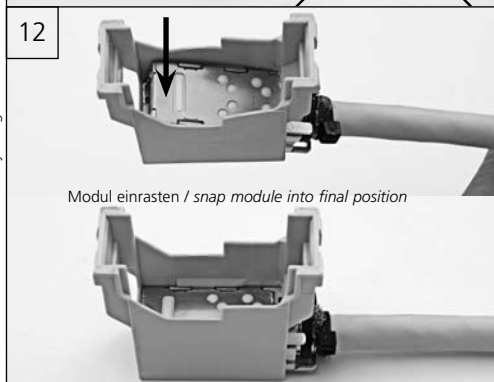
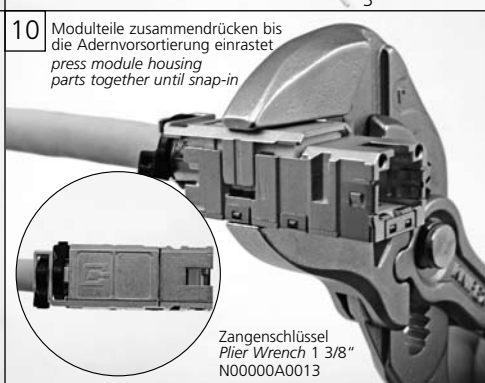
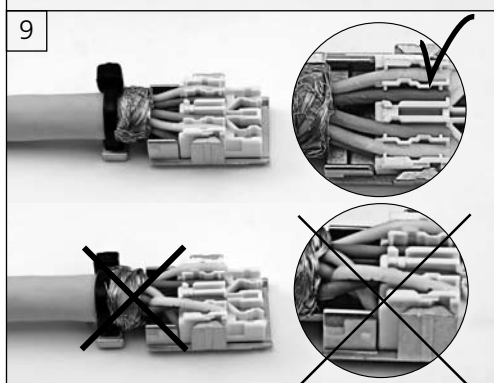
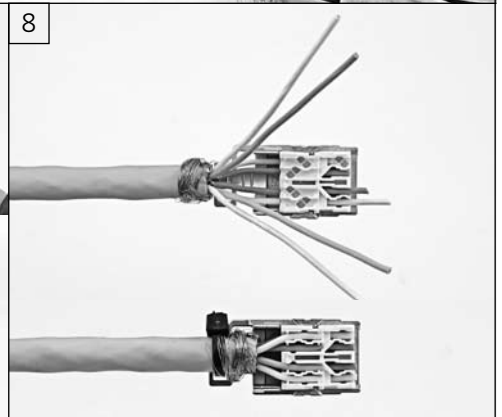
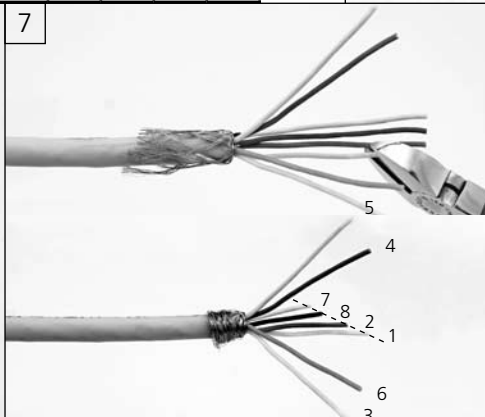
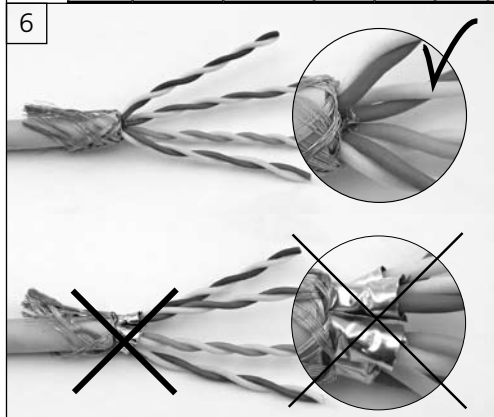
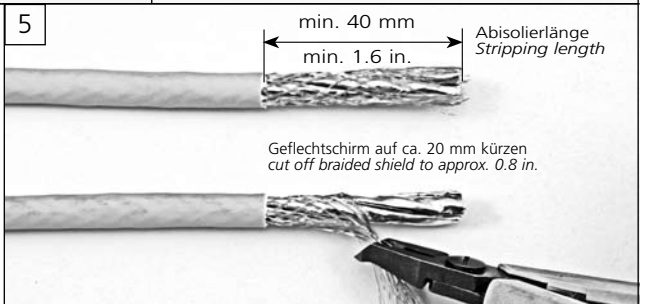
STX Tragschienen-Verbinder / STX mounting rail outlet

Montagehinweis / Mounting informations / Références de montage / Indicaciones de montaje / Informazioni per il montaggio

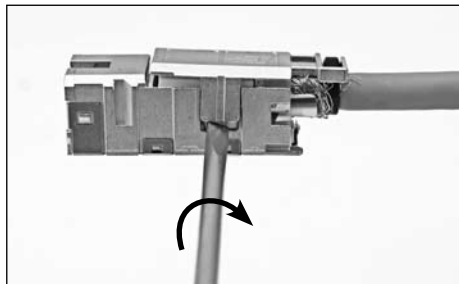
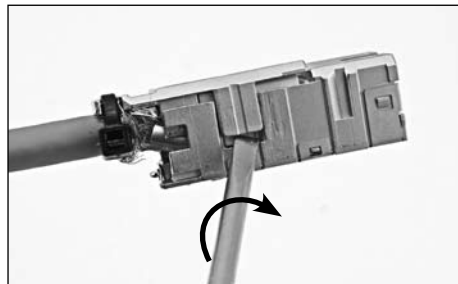
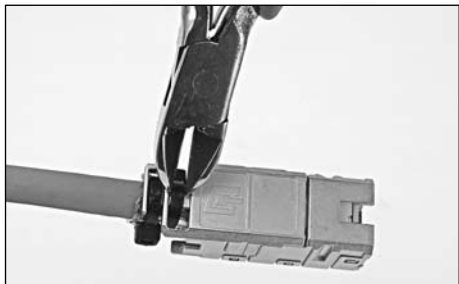
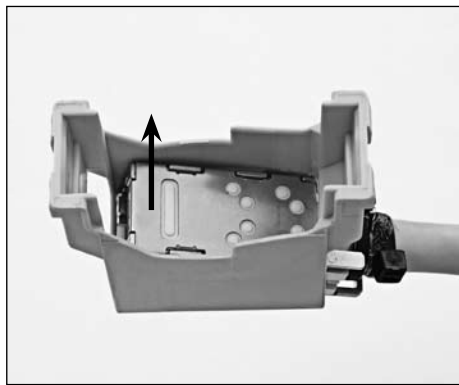
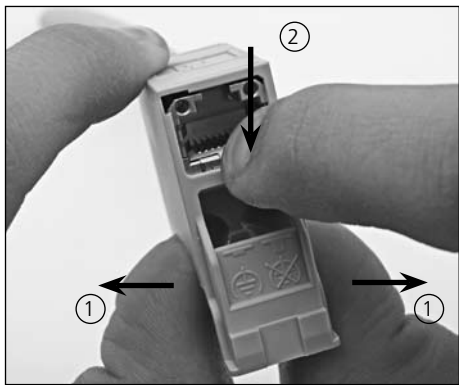
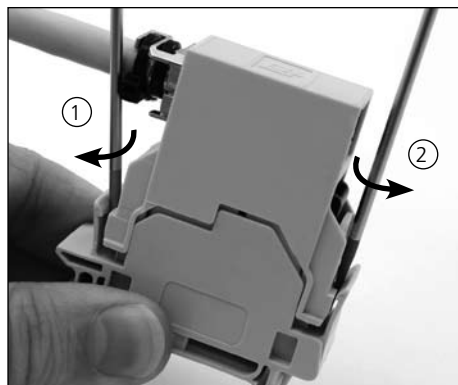
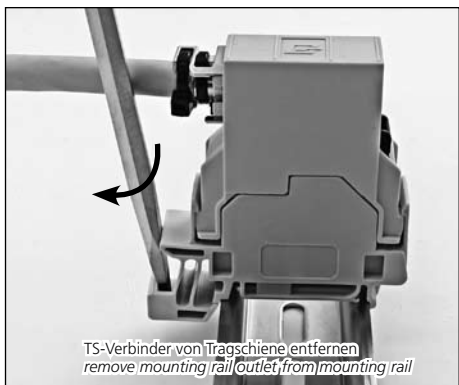
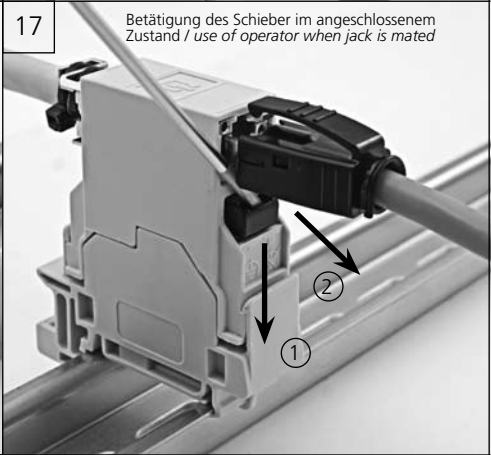
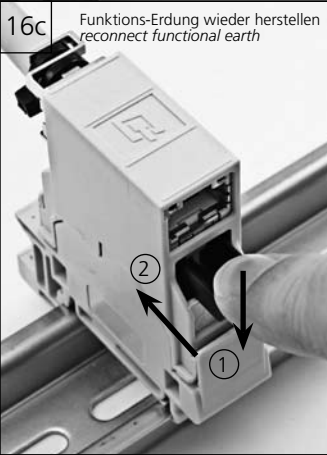
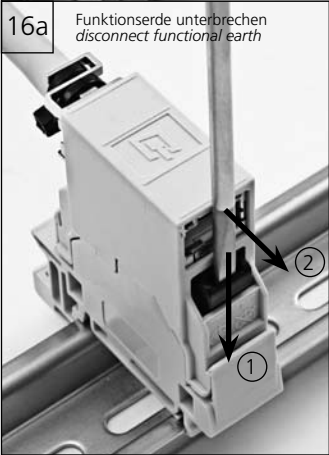
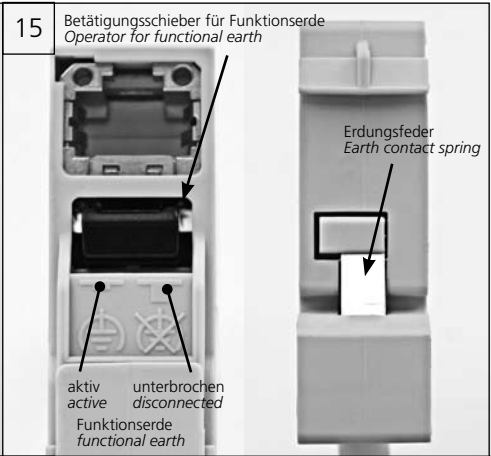
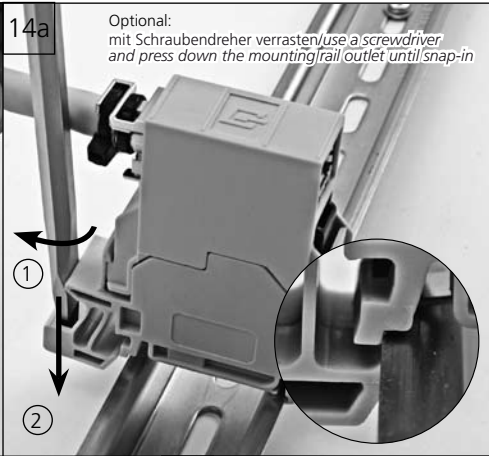
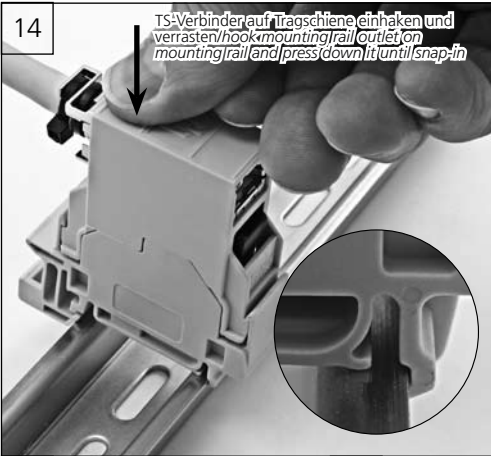


4

Anschluss / Connection			Anwendung / Application							
RJ45 PIN Nr./No.	Farbcode / Colour code T568		DIN 47100	Industrial	10BT/100BT	Gigabit Ethernet	Token Ring ISDN/So	TP-PMD/ATM	ISDN/So	Upo/TEL
	A	B								
1	WH-GN	WH-OG	WH	YE	•	•				
2	GN	OG	BN	OG	•	•				
3	WH-OG	WH-GN	GN	WH	•	•	•		2a	
4	BU	BU	YE	-			•		1a	•
5	WH-BU	WH-BU	GY	-			•		1b	•
6	OG	GN	PK	BU	•	•	•		2b	
7	WH-BN	WH-BN	BU	-			•			
8	BN	BN	RD	-			•			



D 885030A0312 14.02.2008© by Telegärtner



Weitere Demontageschritte nach Montageanleitung further demounting steps according to the mounting instructions