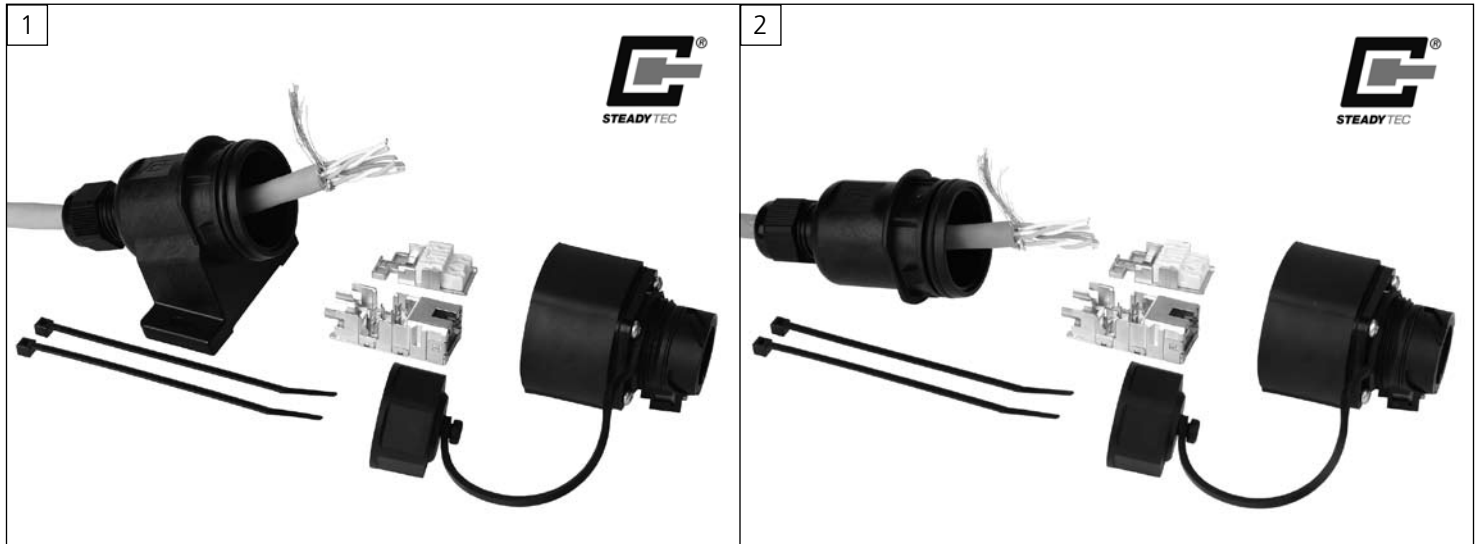
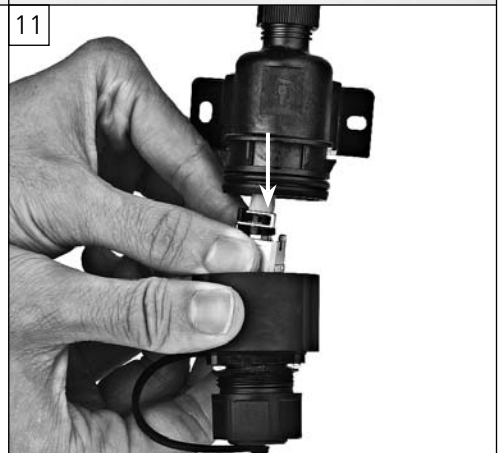
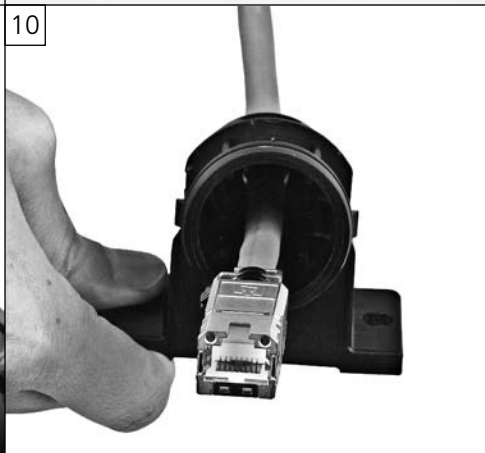
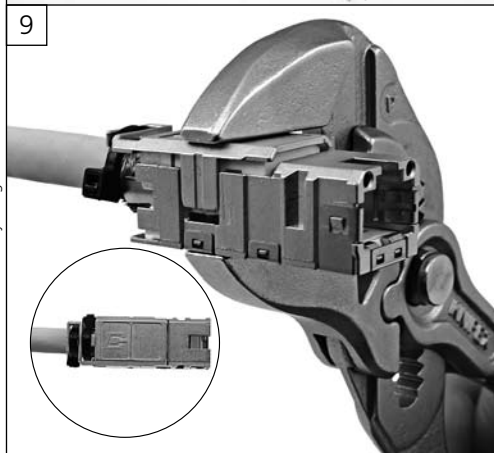
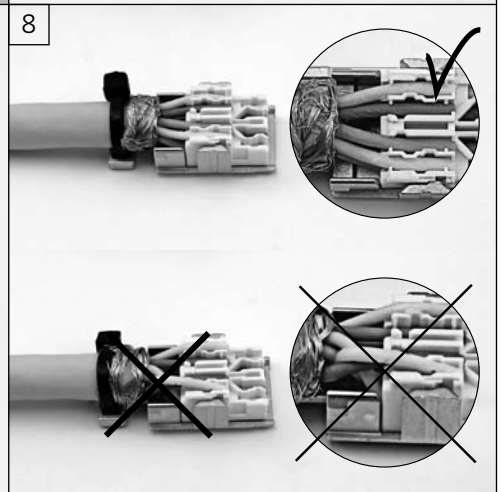
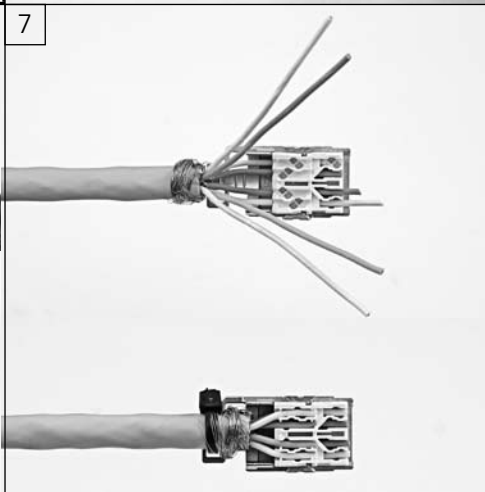
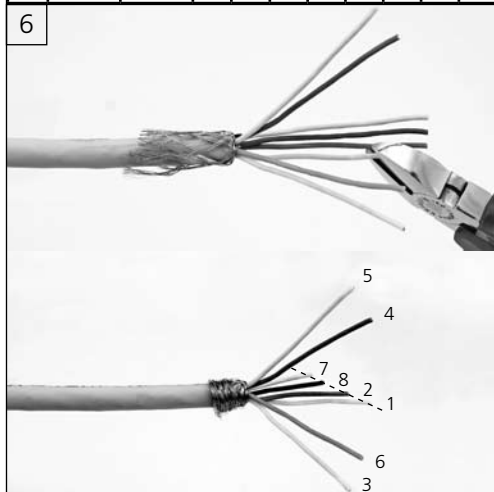
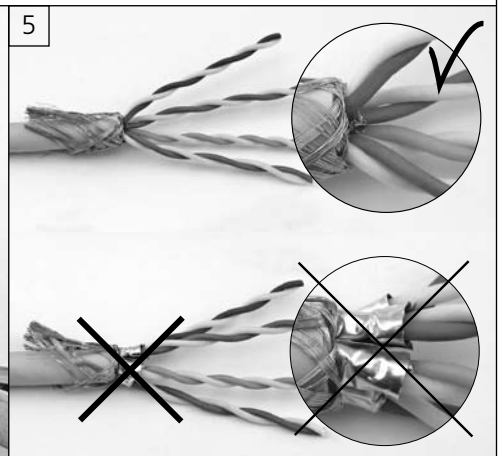
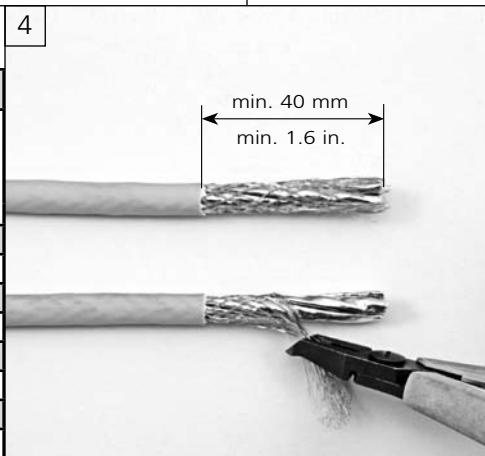


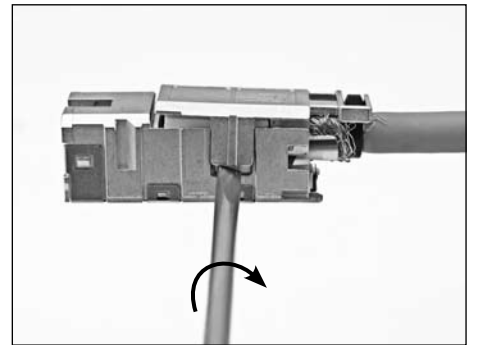
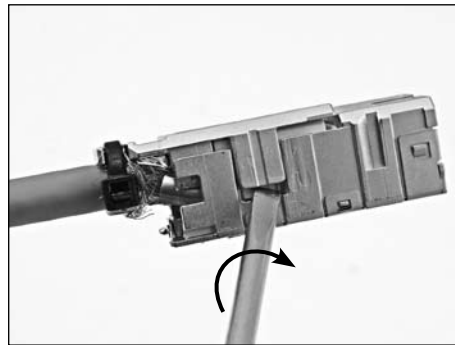
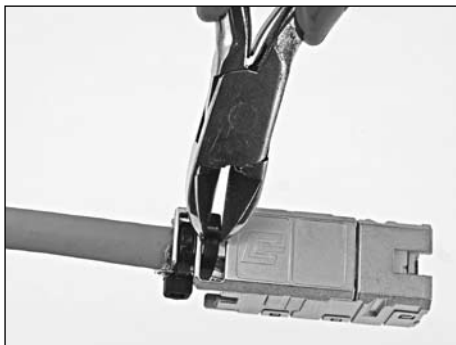
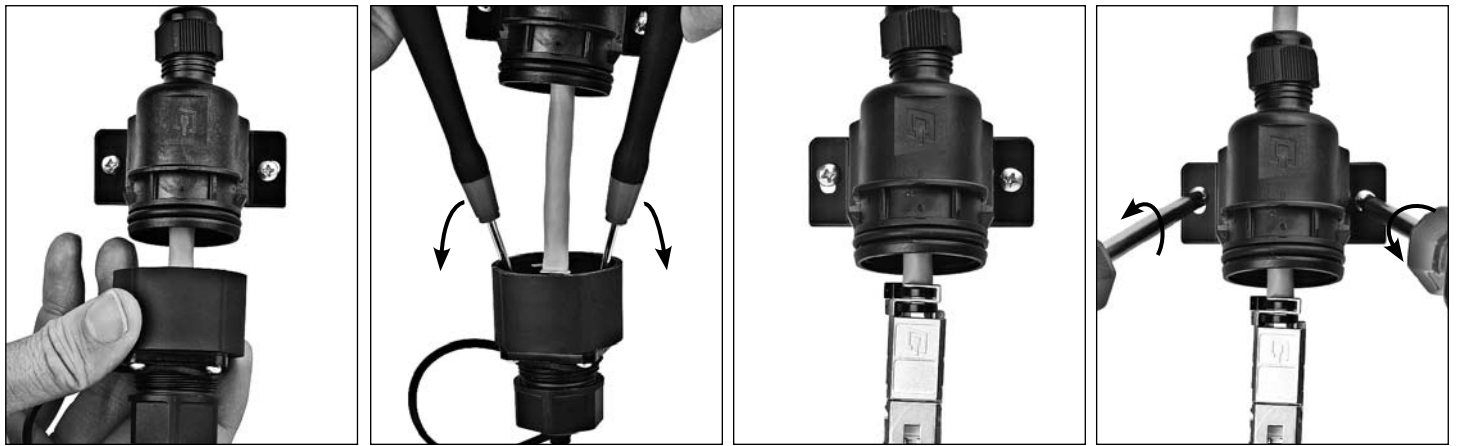
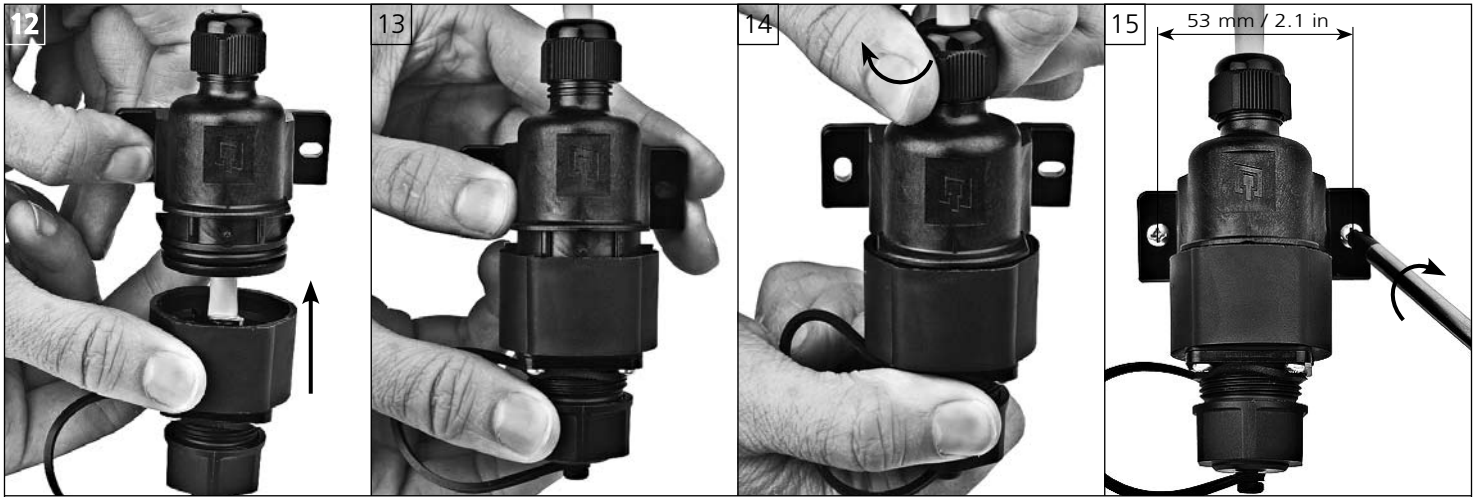
STX V1 AP-Dose/Surface mounting outlet RJ45 Modul/Module Cat.6A STX V1 Freie Anschlussdose/free coupling outlet RJ45 Modul/Module Cat.6A

Montagehinweis/Mounting informations/Références de montage/Indicaciones de montaje/Informazioni per il montaggio



Anschluss / Connection		Anwendung Application									
RJ45 PIN Nr. No.	Farbcode Colour code T568		DIN 47100	Industrial	10BT/100BT	Gigabit Ethernet	Token Ring	ISDN/So	TP-PMD/ATM	ISDN/So	Upo/TEL
	A	B									
1	WH-GN	WH-OG	WH	YE	•	•					
2	GN	OG	BN	OG	•						
3	WH-OG	WH-GN	GN	WH	•	•	•			2a	
4	BU	BU	YE	-	•	•				1a	•
5	WH-BU	WH-BU	GY	-	•	•				1b	•
6	OG	GN	PK	BU	•	•				2b	
7	WH-BN	WH-BN	BU	-	•	•					
8	BN	BN	RD	-	•	•					





Weitere Demontierungsschritte nach Montageanleitung
 further demounting steps according to the mounting instructions