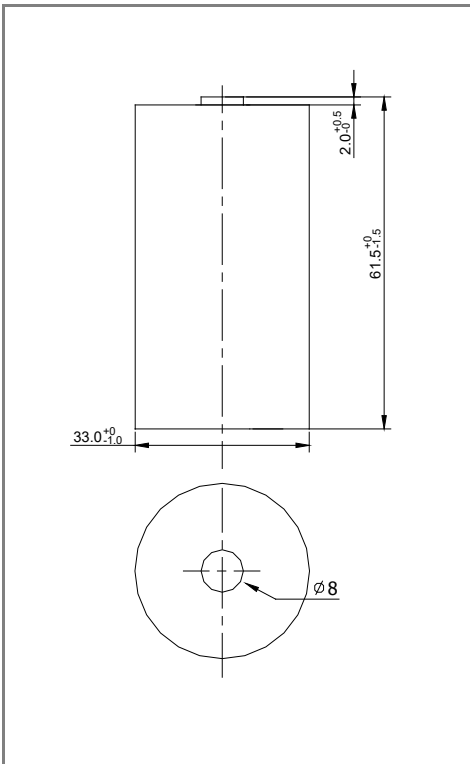
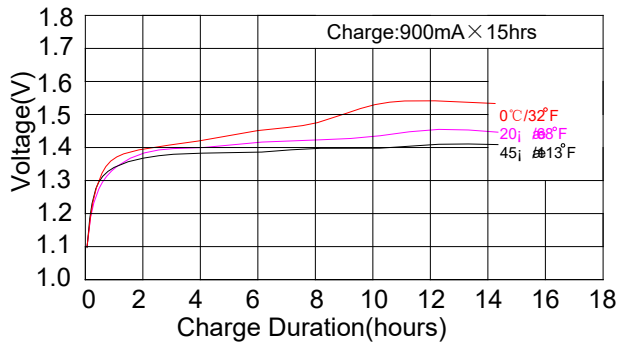


XD9000NIMH Specifications

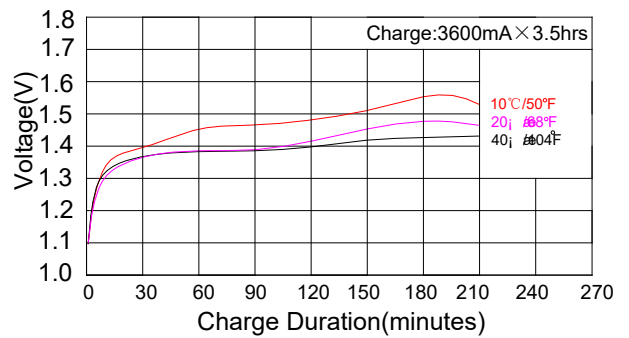


Nominal Capacity	9000mAh
Nominal Voltage	1.2V
Internal Impedance (at 1000Hz)	< 10mΩ
Charge	
Standard Charge	900mA x 15h
Rapid Charge	3600mA x 3.5h
Discharge Cut-off Voltage	1.0V
Max Dimension (with tube)	
Diameter	33mm
Height	61.5mm
Weight	165 g
Operating Temperature	
Charge	0 ~ 45°C
Discharge	-20 ~ 60°C
Storage Temperature	
Within 1 month	-5 ~ 35°C
Within 6 months	0 ~ 35°C

Standard charge characteristics



Fast charge characteristics



Discharge characteristics

