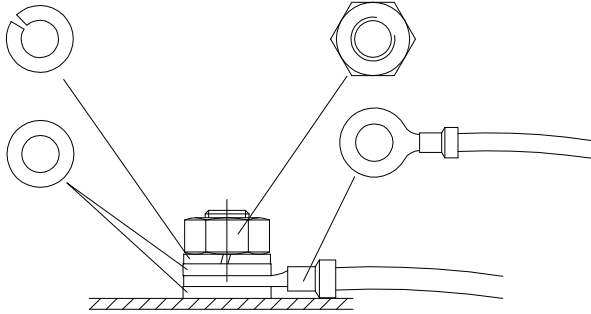





SM

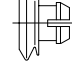
2384.010 2384.020  
 2384.030 2384.040  
 2384.510 2384.520  
 2384.530 2384.540

$M_A = 4 - 6 \text{ Nm}$



Raum für Verpackungsdatum  
 Area for date of packing  
 (MMJJTT / MMYDD)

4x  5x33

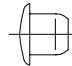
4x 

2x  M6

4x  Ø6,4

2x  A6,4

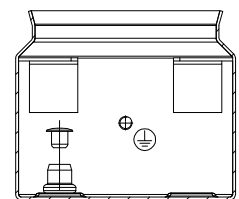
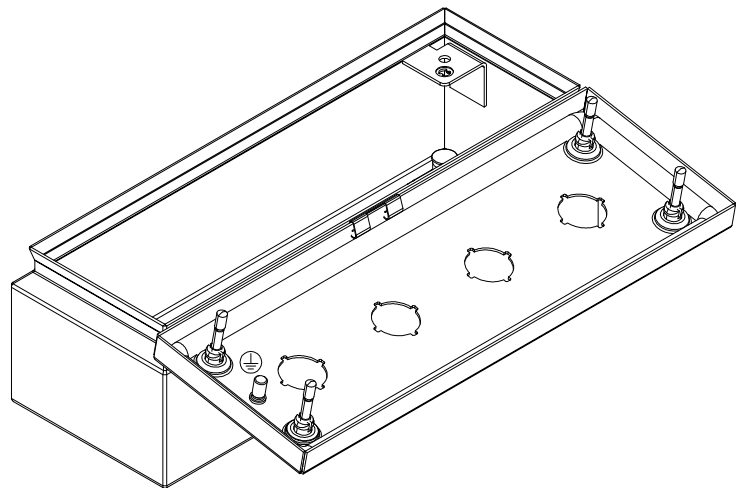
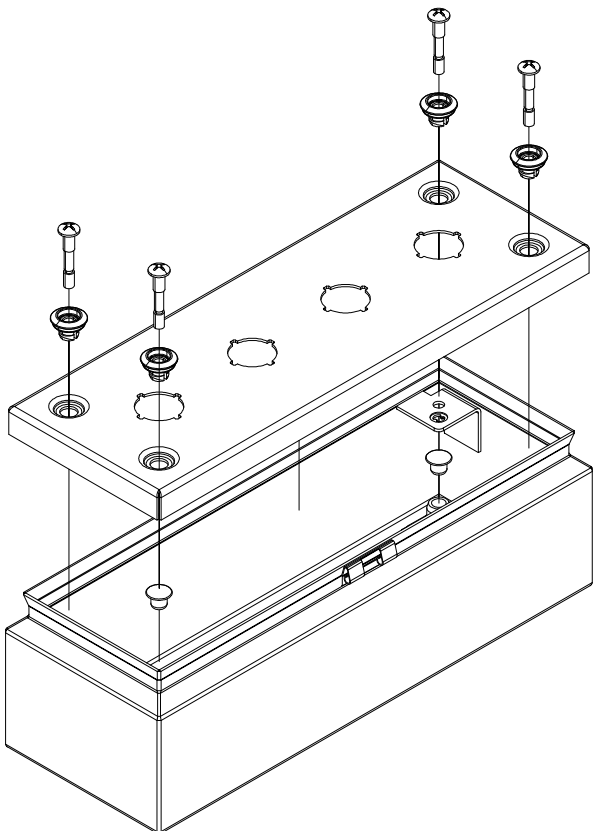
2x 

2x 

Zchng.-Nr. / No. of dwg. : A3602001SM

Versandbeutel-Nr. / No. of accessory bag : 298434

Lieferanten-Nr. / No. of supplier :



↑  
M8