

Rittal – The System.

Faster – better – worldwide.

- Enclosures
- Power Distribution
- Climate Control
- IT Infrastructure
- Software & Services

Rittal – The System.

Faster – better – worldwide.



Sicherheitsverriegelung
Safety lock
Verrouillage de se'curite'
Veiligheidsvergrendeling
Säkerhetsförrregling
Blocco di sicurezza per
interruttore principale
Cierre de seguridad

SZ 2416.000
SZ 2418.000
SZ 2419.000

Montage-, Installations- und Bedienungsanleitung
Assembly and operating instructions
Manuel d'installation et de maintenance
Montage- en bedieningshandleiding
Montage- och hanteringsanvisning
Istruzioni di montaggio e funzionamento
Instrucciones de montaje

11/2011 A4570700SZ73 222861

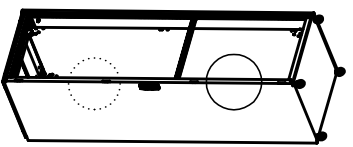
RITTAL GmbH & Co. KG
Postfach 1662 · D-35726 Herborn
Phone +49(0)2772 505-0 · Fax +49(0)2772 505-2319
E-mail: info@rittal.de · www.rittal.com

ENCLOSURES
POWER DISTRIBUTION
CLIMATE CONTROL
IT INFRASTRUCTURE
SOFTWARE & SERVICES
FRIEDHELM LOH GROUP

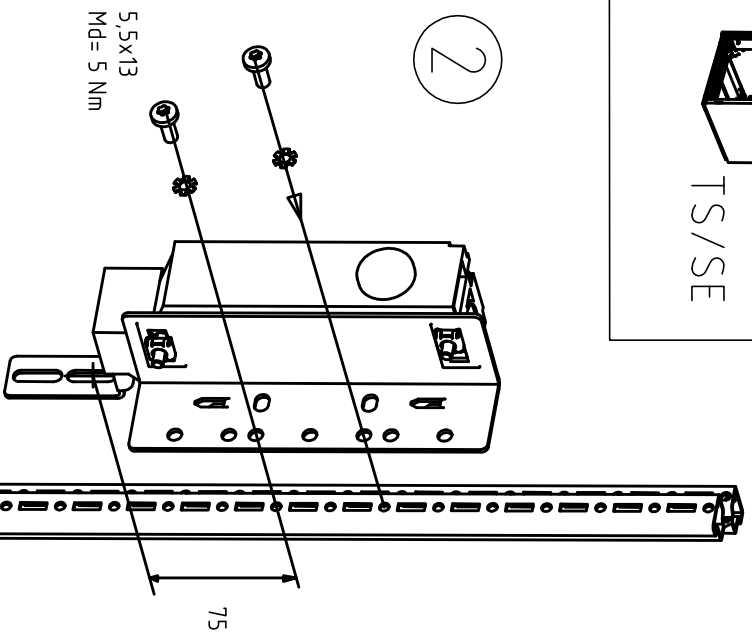
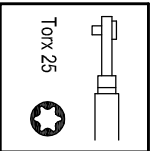
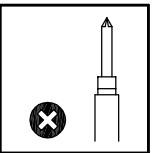
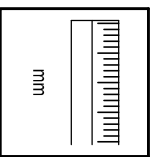


ENCLOSURES
POWER DISTRIBUTION
CLIMATE CONTROL
IT INFRASTRUCTURE
SOFTWARE & SERVICES
FRIEDHELM LOH GROUP





TS/SE

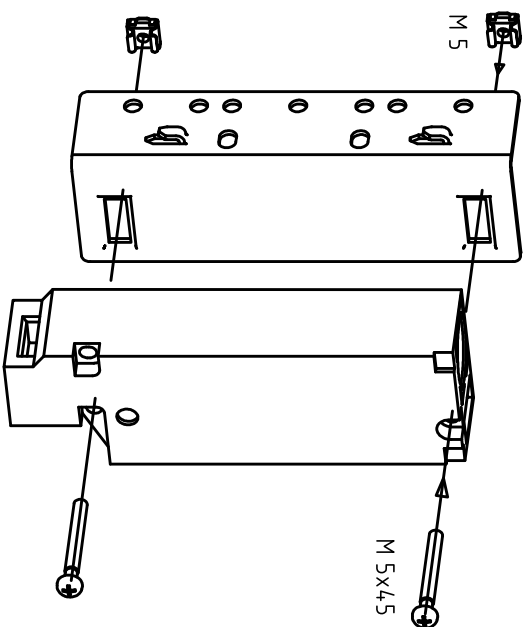


2

5,5x13
Md= 5 Nm

75

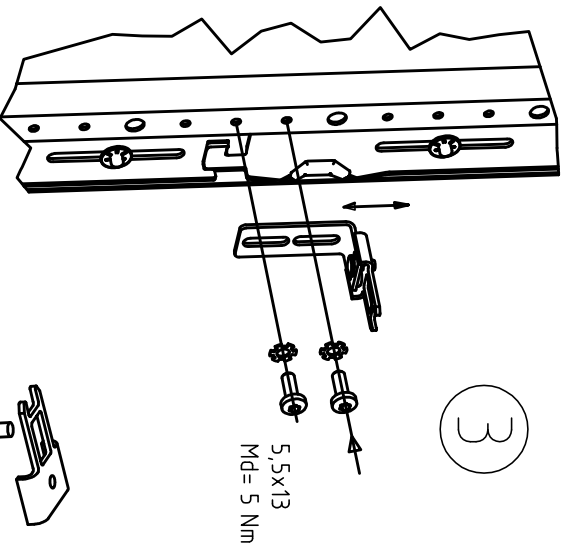
1



M 5

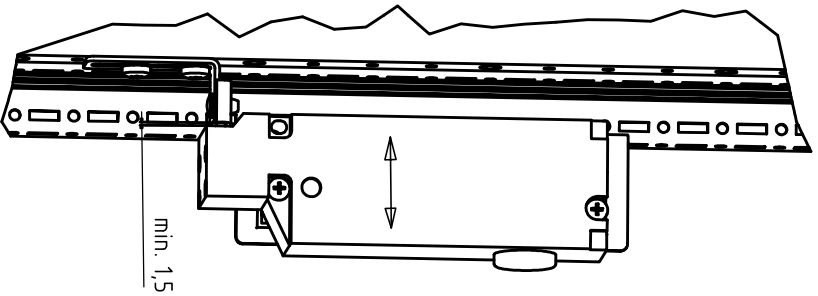
M 5x4,5

3

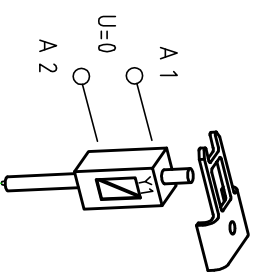
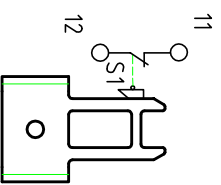
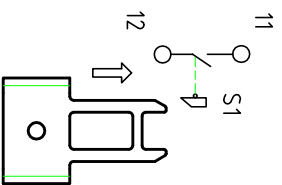


5,5x13
Md= 5 Nm

4



min. 1,5



A 1
A 2
U=0

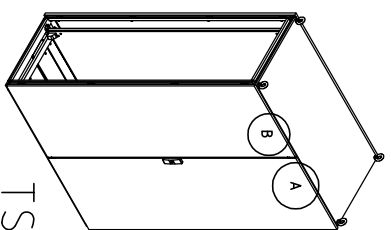
S 2
21



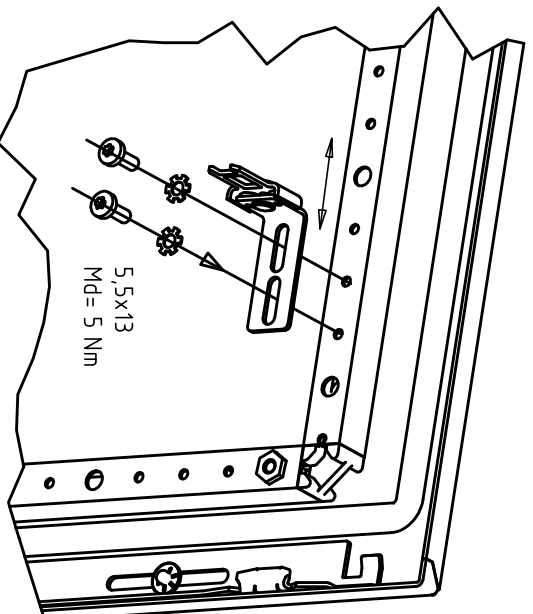
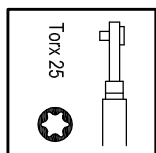
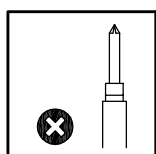
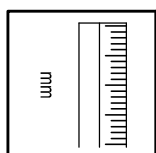
A 1
A 2
U=U_s

S 2
21

21 22



TS/SE



3A

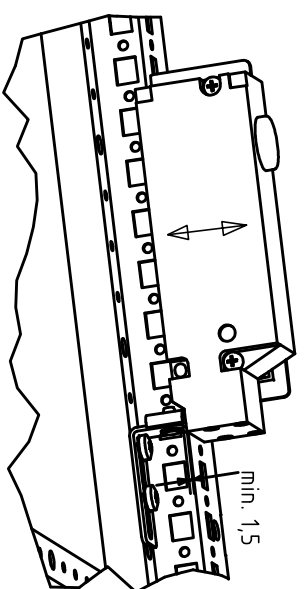
5,5x13
Md= 5 Nm

75

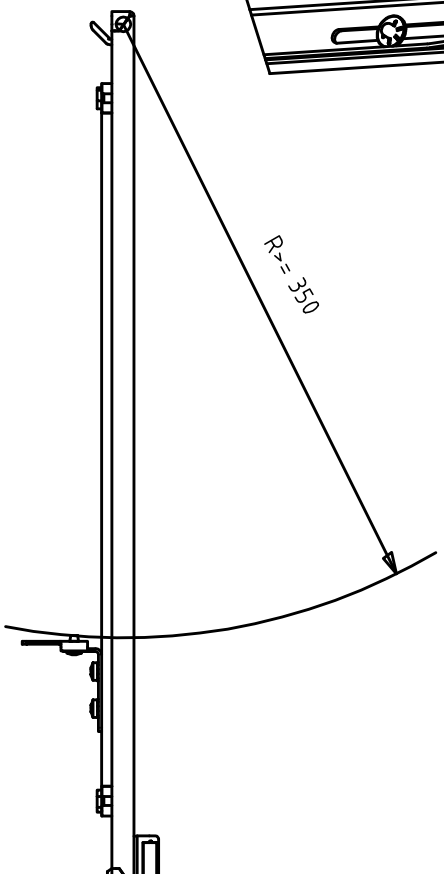
2A

5,5x13
Md= 5 Nm

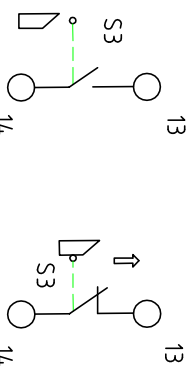
4A



min. 1,5



R=350

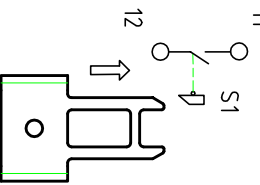


13

13

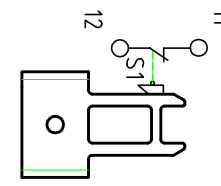
14

14



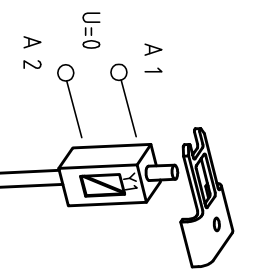
11

11



11

11



A 1
A 2
U=0

S 2
21



A 1
A 2
U=U_s

S 2
21

B SZ 4.127.010

A

3

B = Montage/assembly SZ 4.127.010

1A = 1 Seite 2 / page2

SE8: A entspr. Seite 2 montieren/assembly according page 2