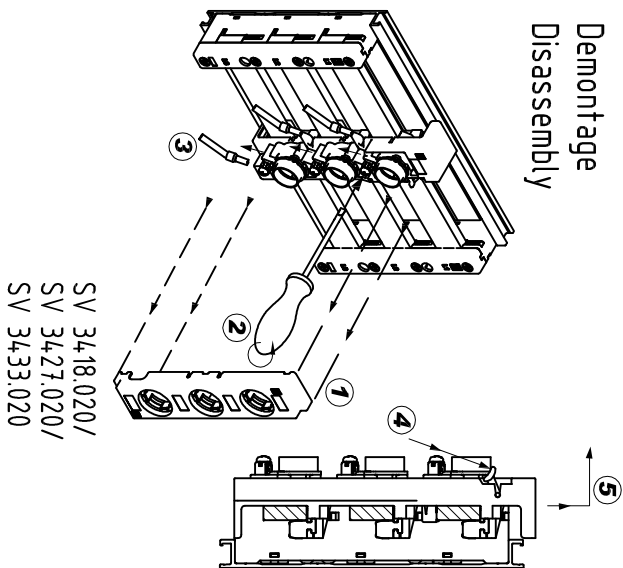




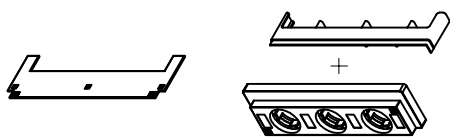
SV
3418.010
3427.010
3433.010

Demontage
Disassembly



SV 3418.020/
SV 3427.020/
SV 3433.020

Zubehör
Accessories



SV 3093.010/
SV 3093.020

SV 3418.030/
SV 3427.030/
SV 3433.030

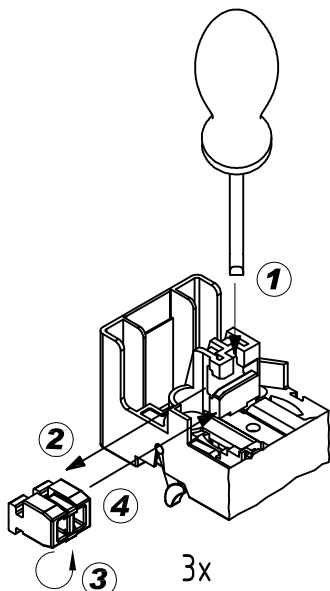
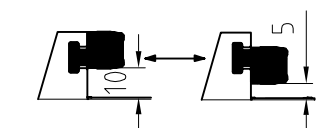
10 SV Reitersicherungselemente

10 SV bus-mounting fuse bases

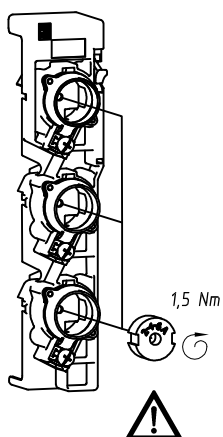
10 SV socles fusibles curseurs

Zchng.-Nr. / No. of dwg. : A4525902SV

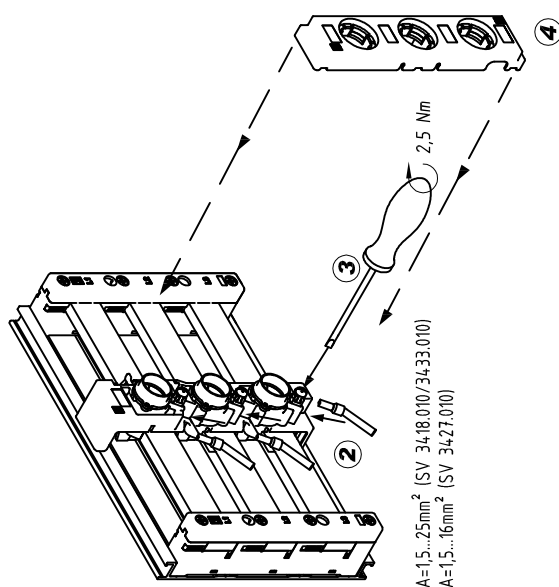
Umbau 5/10mm
Reconstruction 5/10mm



3x



SV 3427.010/
SV 3433.010



A=1,5...2,5mm² (SV 3418.010/3433.010)
A=1,5...16mm² (SV 3427.010)

Montage
Assembly

