

# **Rittal – The System.**

---

**Faster – better – worldwide.**

**Bodenaufnahme  
Base mount  
Cadre inférieur  
Bodemframe  
Bottenmontage  
Allestimento fondo  
Juego de montaje para suelos  
ボトムフレーム**



**DK 5501.300**

**DK 5501.310**

**DK 5501.320**

**DK 5501.350**

**DK 5501.305**

**DK 5501.315**

**DK 5501.325**

**DK 5501.355**

**Montage- und Bedienungsanleitung  
Assembly and operating instructions  
Notice d'emploi et de montage  
Montage- en bedieningshandleiding  
Montage- och bruksanvisning  
Istruzioni di montaggio  
Instrucciones de montaje  
取扱説明書**

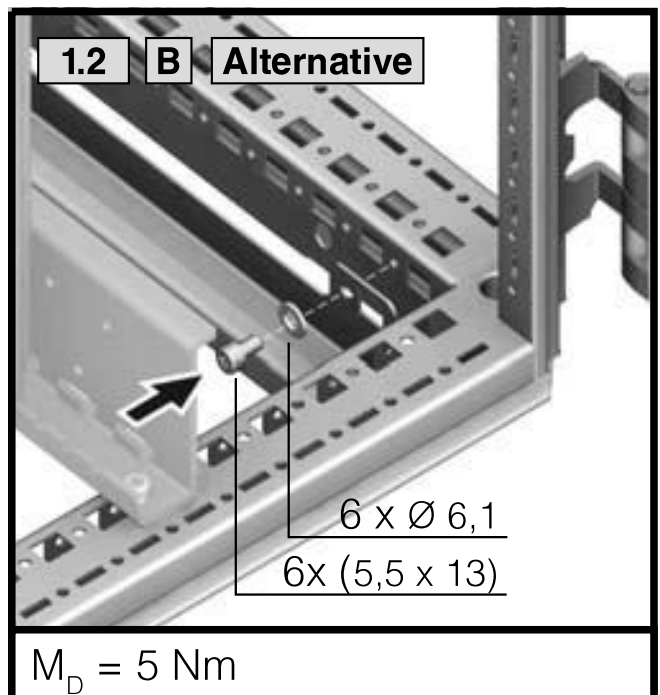
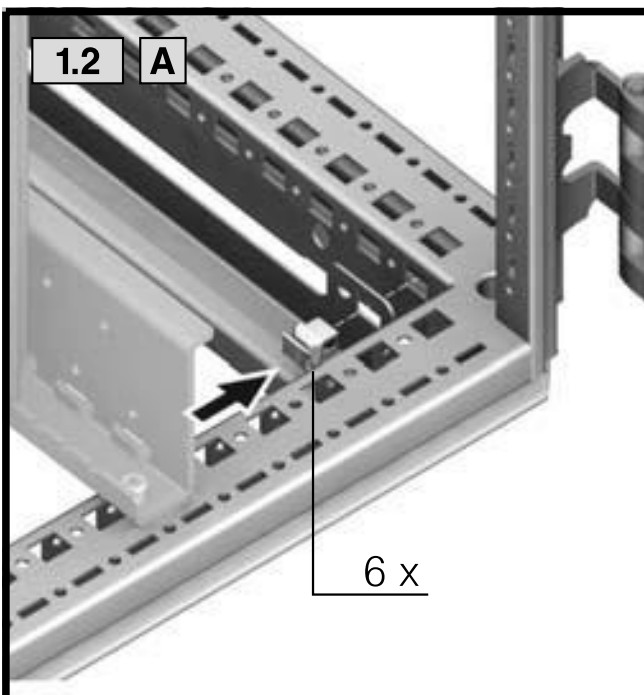
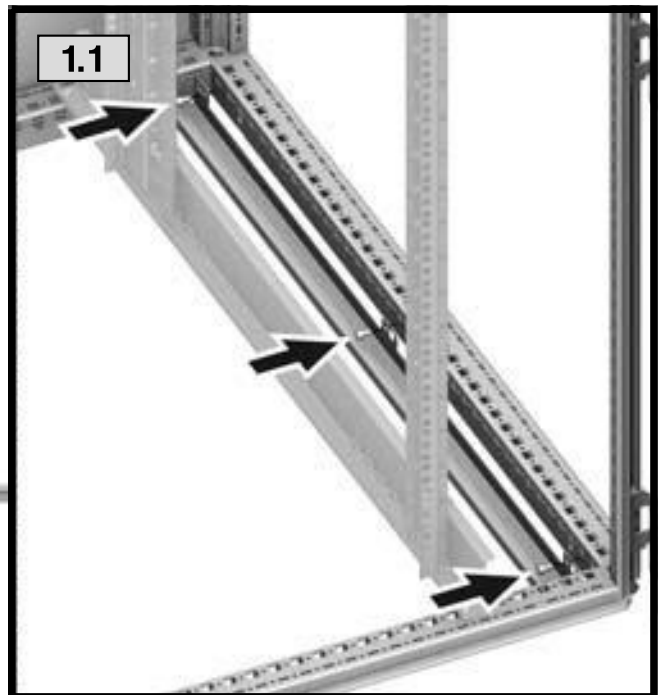
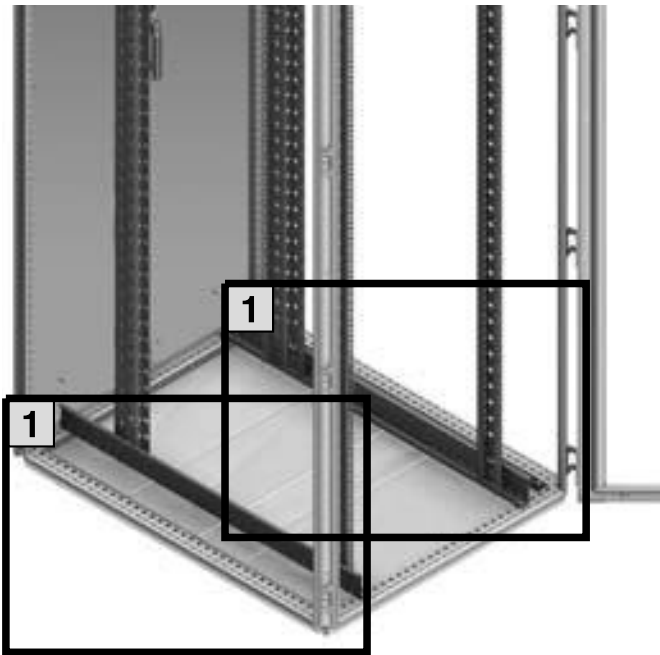





		D mm	RAL 7035	RAL 9005
<b>Best.-Nr. DK</b> <b>Model No. DK</b> <b>Référence DK</b>		600	<b>5501.300</b>	<b>5501.305</b>
		800	<b>5501.310</b>	<b>5501.315</b>
		1000	<b>5501.320</b>	<b>5501.325</b>
		1200	<b>5501.350</b>	<b>5501.355</b>
			2 x	
		5,5 x 13	6 x	
		Ø 6,1	6 x	
		□ 10,5 x 12,5	6 x	



# TX25



# Rittal – The System.

---

**Faster – better – worldwide.**

- Enclosures
- Power distribution
- Climate control
- IT infrastructure
- Software & services

04.2012/A4628700IT73

RITTAL GmbH & Co. KG  
Postfach 1662 · D-35726 Herborn  
Phone + 49(0)2772 505-0 · Fax + 49(0)2772 505-2319  
E-Mail: [info@rittal.de](mailto:info@rittal.de) · [www.rittal.de](http://www.rittal.de)

