

# Rittal – The System.

Faster – better – everywhere.



**Luftleitblech**  
**Air baffle plate**  
**Défecteur d'air**

DK 5501.805

DK 5501.825

**Montageanleitung**  
**Assembly instructions**  
**Notice de montage**

ENCLOSURES

POWER DISTRIBUTION

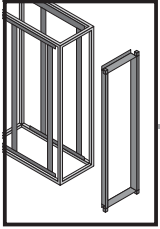
CLIMATE CONTROL

IT INFRASTRUCTURE

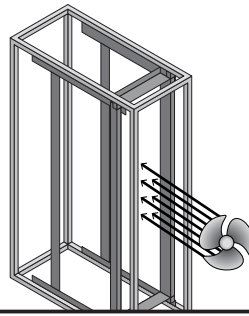
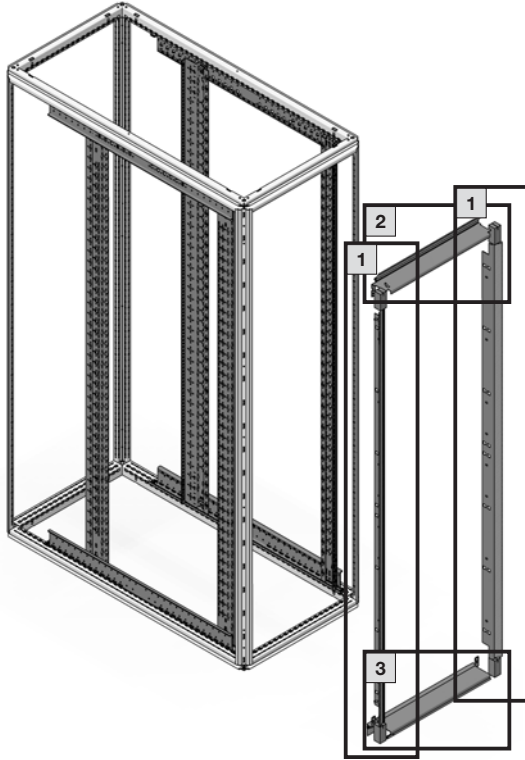
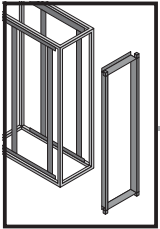
SOFTWARE & SERVICES

FRIEDHELM LOH GROUP

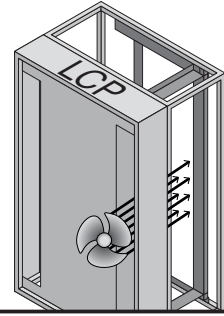




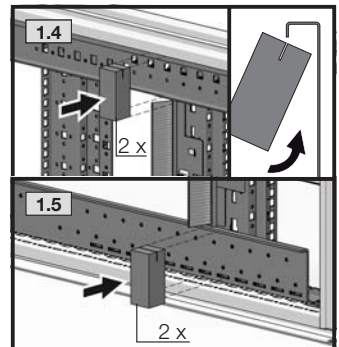
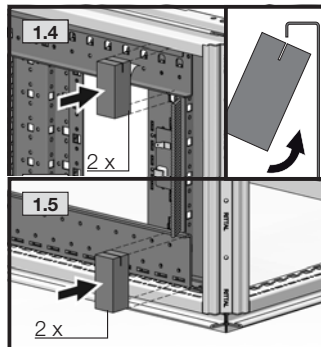
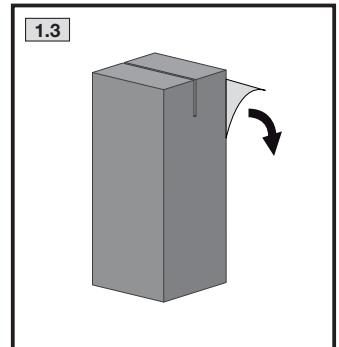
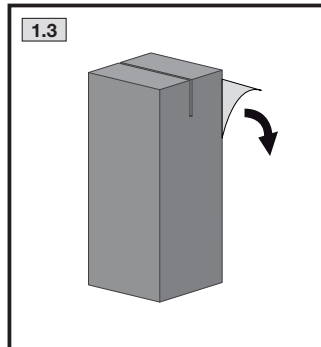
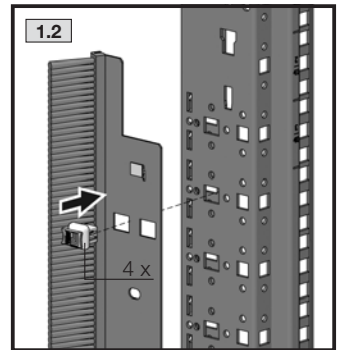
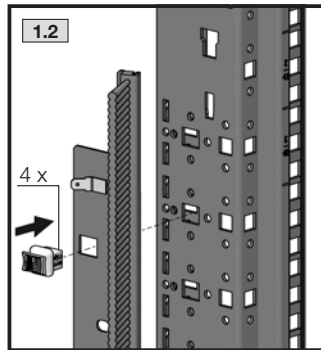
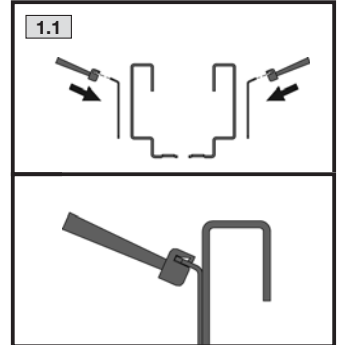
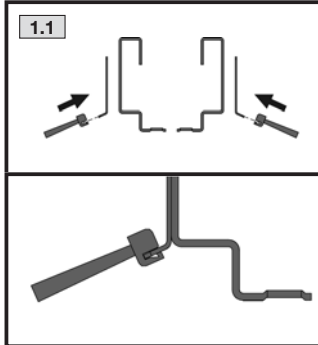
	W mm	H mm		
Best.-Nr. DK Model No. DK Référence DK		600	2000	<b>5501.805</b>
		600	2200	<b>5501.825</b>
				1 x
				4 x
				8 x
				4 x

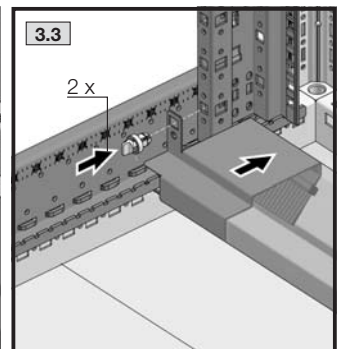
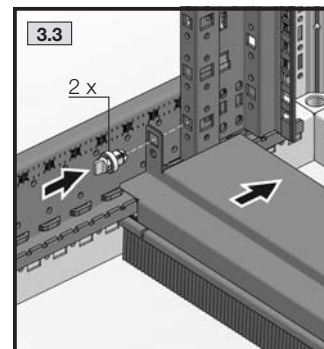
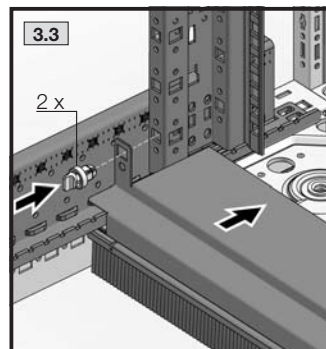
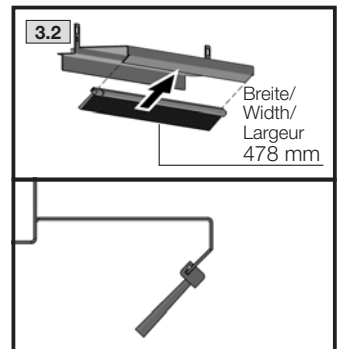
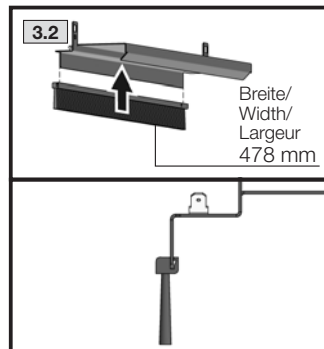
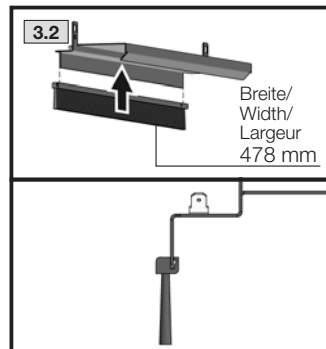
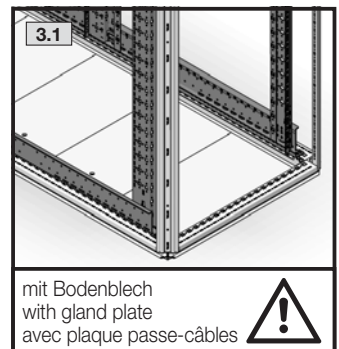
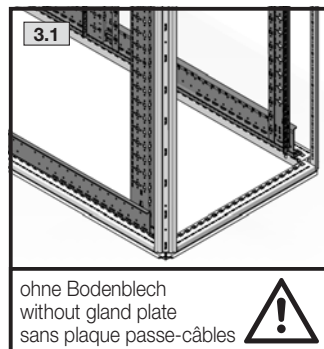
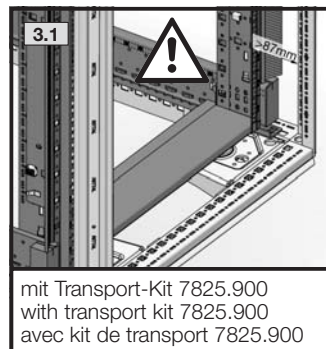
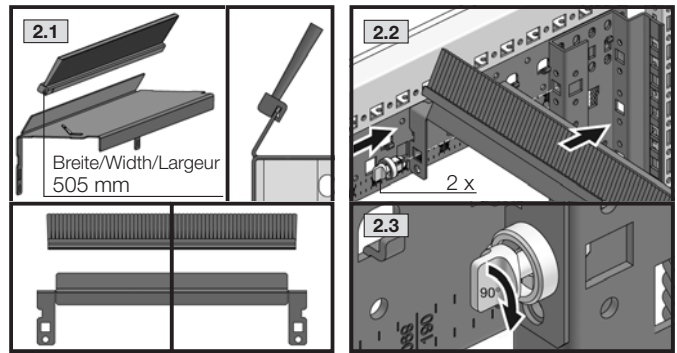
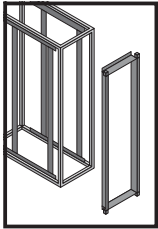


ohne/without/sans LCP



mit/with/avec LCP







# Rittal – The System.

---

**Faster – better – everywhere.**

- Enclosures
- Power Distribution
- Climate Control
- IT Infrastructure
- Software & Services

03.2015/A4637202IT73

RITTAL GmbH & Co. KG  
Postfach 1662 · D-35726 Herborn  
Phone + 49(0)2772 505-0 · Fax + 49(0)2772 505-2319  
E-mail: [info@rittal.de](mailto:info@rittal.de) · [www.rittal.com](http://www.rittal.com)

ENCLOSURES

POWER DISTRIBUTION

CLIMATE CONTROL

IT INFRASTRUCTURE

SOFTWARE & SERVICES

FRIEDHELM LOH GROUP

