

Rittal – The System.

Faster – better – worldwide.



DK-TS

**Seitenwand
Sidewalls
Panneaux latéraux
Zijwanden
Sidogavlar
Parete laterale
Paredes laterales**

DK 7824.086 – DK 7824.228

DK 7816.120 – DK 7816.200

**Montageanleitung
Assembly instructions
Notice de montage
Montagehandleiding
Montageanvisning
Istruzioni di montaggio
Instrucciones de montaje
取扱説明書**

ENCLOSURES

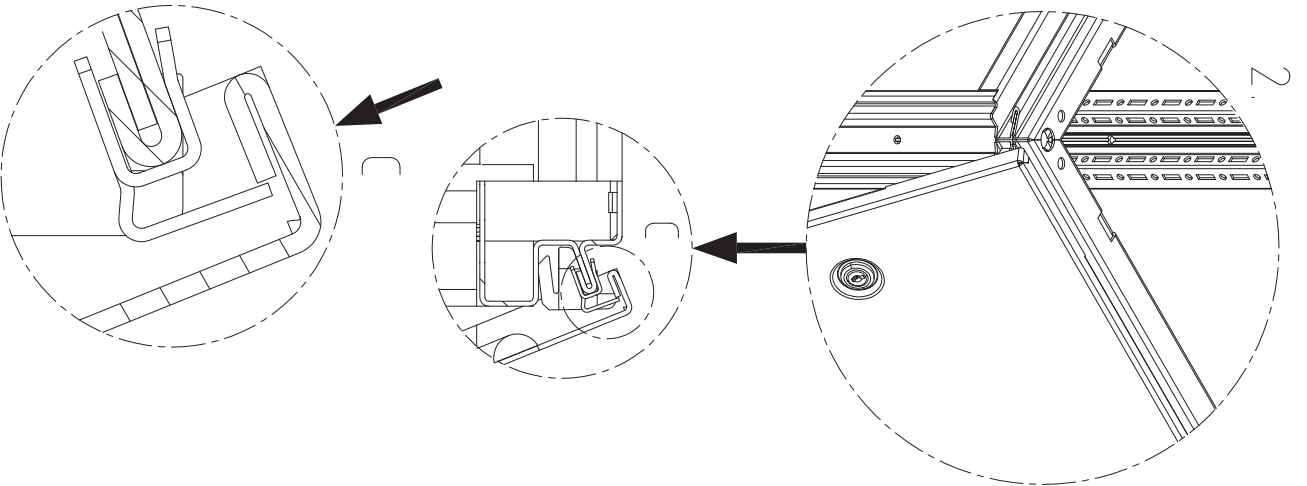
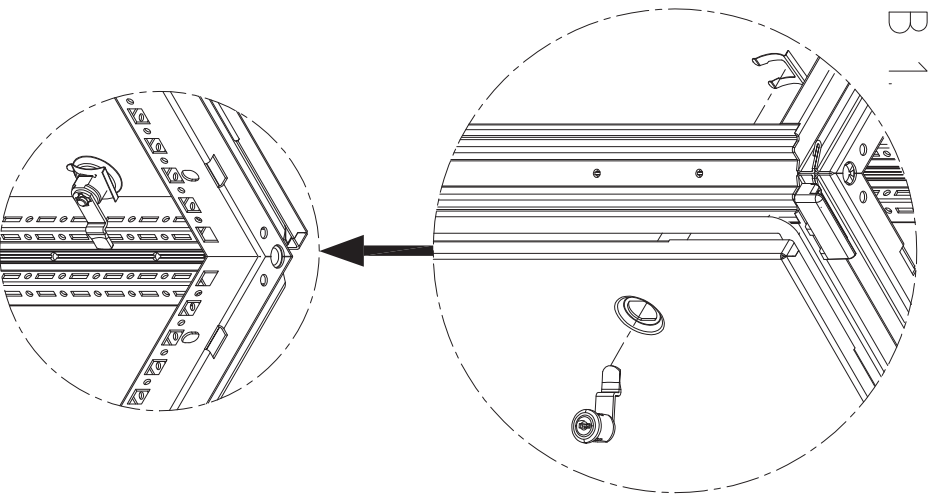
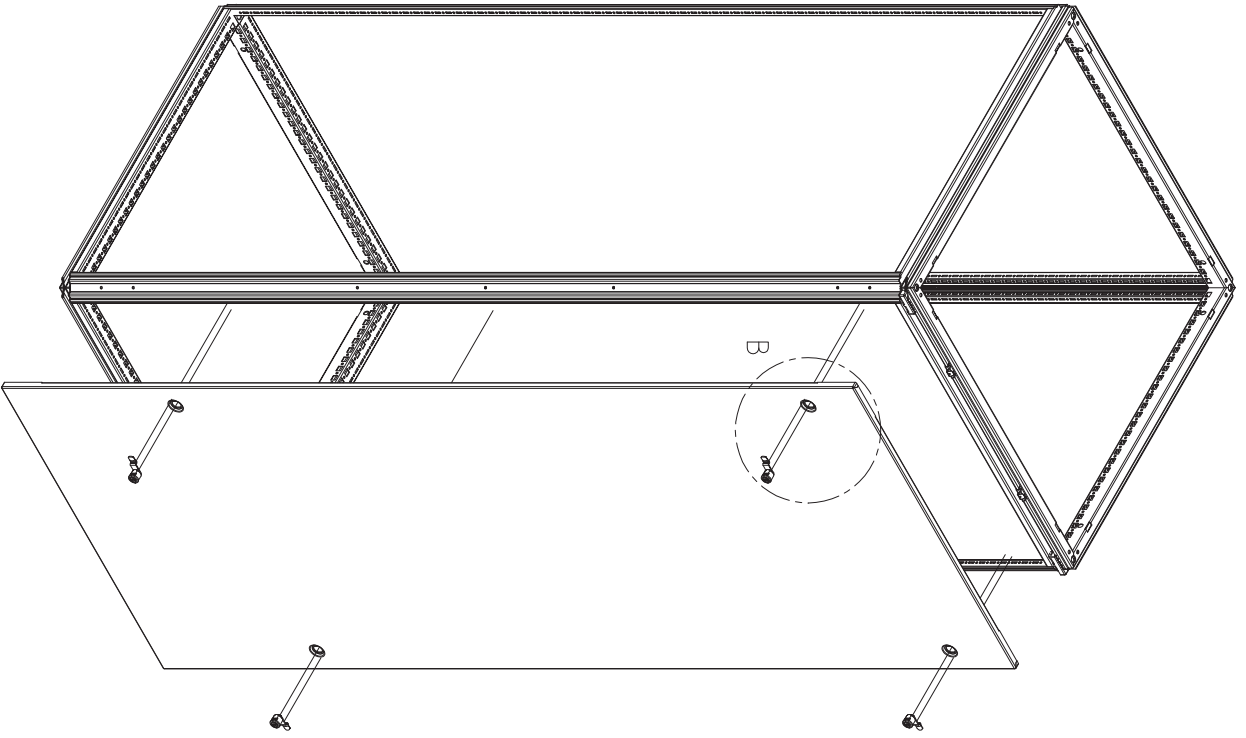
POWER DISTRIBUTION

CLIMATE CONTROL

IT INFRASTRUCTURE

SOFTWARE & SERVICES





Rittal – The System.

Faster – better – worldwide.

- Enclosures
- Power distribution
- Climate control
- IT infrastructure
- Software & services

RITTAL GmbH & Co. KG
Postfach 1662 · D-35726 Herborn
Phone + 49(0)2772 505-0 · Fax + 49(0)2772 505-2319
E-Mail: info@rittal.de · www.rittal.de

ENCLOSURES

POWER DISTRIBUTION

CLIMATE CONTROL

IT INFRASTRUCTURE

SOFTWARE & SERVICES

