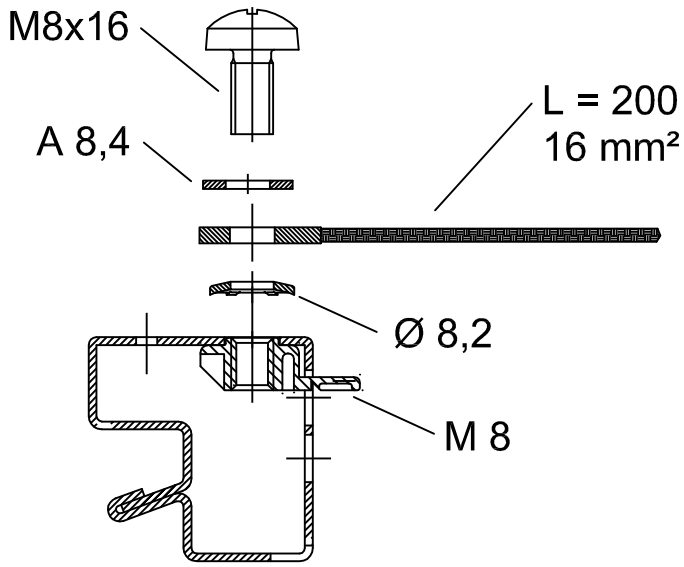


4



DK
7829.400

Raum für Verpackungsdatum
Area for date of packing
(MMJJTT / MMYDD)

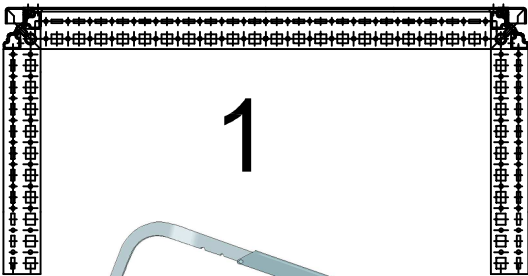
- | | | | | |
|------|--|-------------------|------|-------|
| 16 x | | M6x12 | 16 x | |
| 1 x | | L = 200
16 mm² | | |
| 2 x | | | | M8x16 |
| 2 x | | | | M 8 |
| 2 x | | | | Ø 8,2 |
| 2 x | | | | A 8,4 |

Zchng.-Nr. / No. of dwg. : A2449205IT

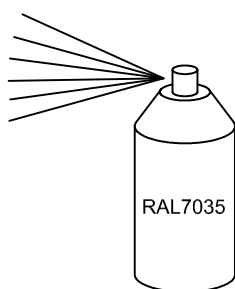
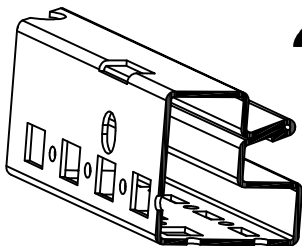
Versandbeutel-Nr. / No. of accessory bag : 281335

Lieferanten-Nr. / No. of supplier :

1



2



3

