

Rittal – The System.

Faster – better – worldwide.

PSM Befestigungssatz
PSM mounting kit
Kit de fixation PSM
PSM bevestigingskit
PSM fattsättningsatts
Kit di montaggio PSM
Juego de fijación PSM
PSM固定キット



DK 7856.029

Montage- und Bedienungsanleitung
Assembly and operating instructions
Notice d'emploi et de montage
Montage- en bedieningshandleiding
Montage- och bruksanvisning
Istruzioni di montaggio
Instrucciones de montaje
取扱説明書

ENCLOSURES

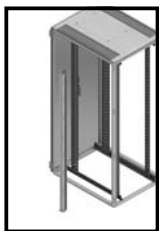
POWER DISTRIBUTION



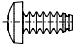
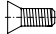
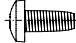

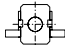
CLIMATE CONTROL

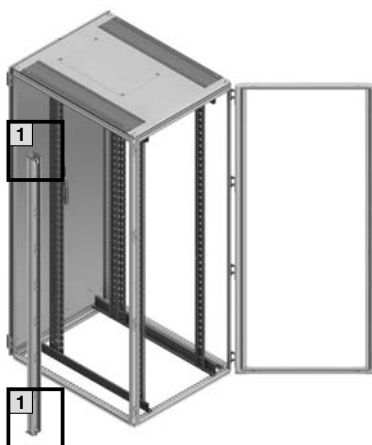
IT INFRASTRUCTURE

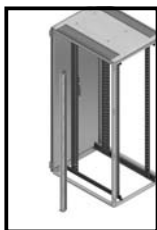
SOFTWARE & SERVICES



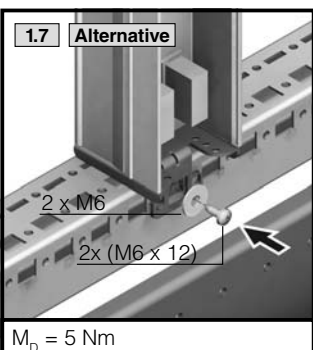
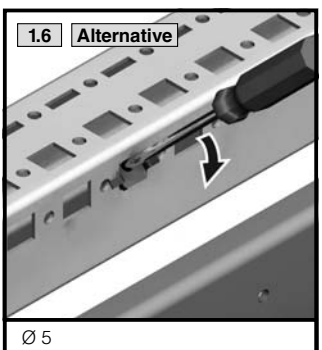
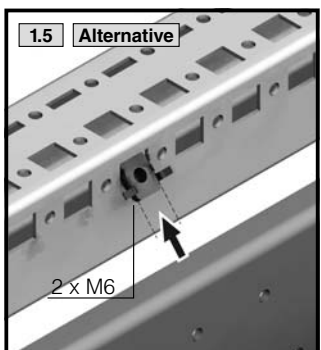
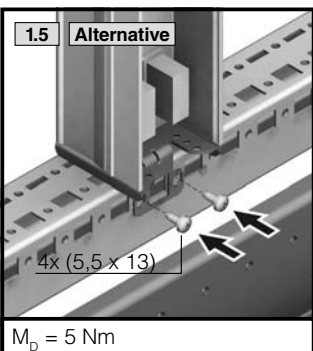
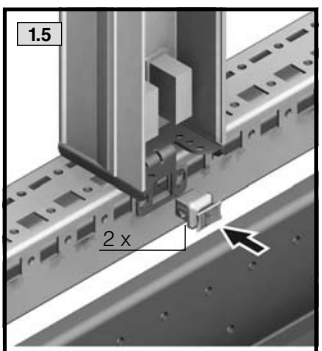
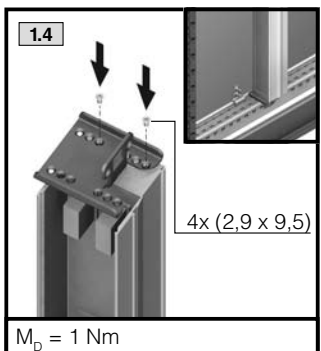
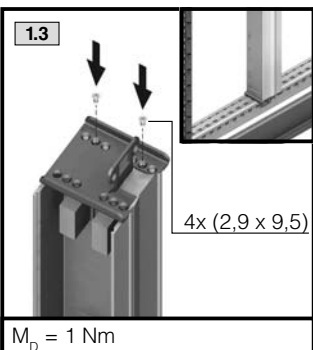
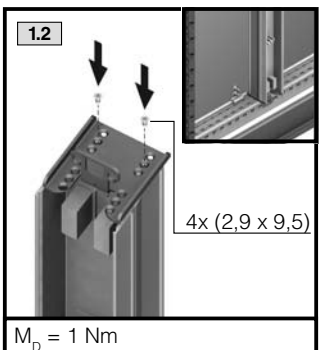
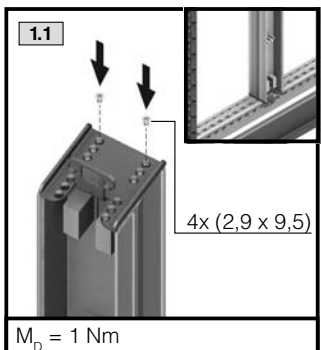
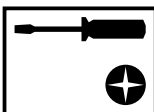


Best.-Nr. DK Model No. DK Référence DK		7856.029
		2 x
	□ 10,5 x 12,5	2 x
	5,5 x 13	4 x
	2,9 x 9,5	4 x
	M6 x 12	2 x
	M6	2 x
	M6	2 x





TX25



Rittal – The System.

Faster – better – worldwide.

- Enclosures
- Power distribution
- Climate control
- IT infrastructure
- Software & services

04.2012/A4637700IT73

RITTAL GmbH & Co. KG
Postfach 1662 · D-35726 Herborn
Phone + 49(0)2772 505-0 · Fax + 49(0)2772 505-2319
E-Mail: info@rittal.de · www.rittal.de

ENCLOSURES

POWER DISTRIBUTION

CLIMATE CONTROL

IT INFRASTRUCTURE

SOFTWARE & SERVICES

