



SV
9342.311



1 SV Anschlussblock 800A
60mm Schienenmittenabstand

1 SV connection block 800A
60mm busbar centre distance

1 bloc de raccordement SV 800A
60mm d'écartement entre les axes des barres

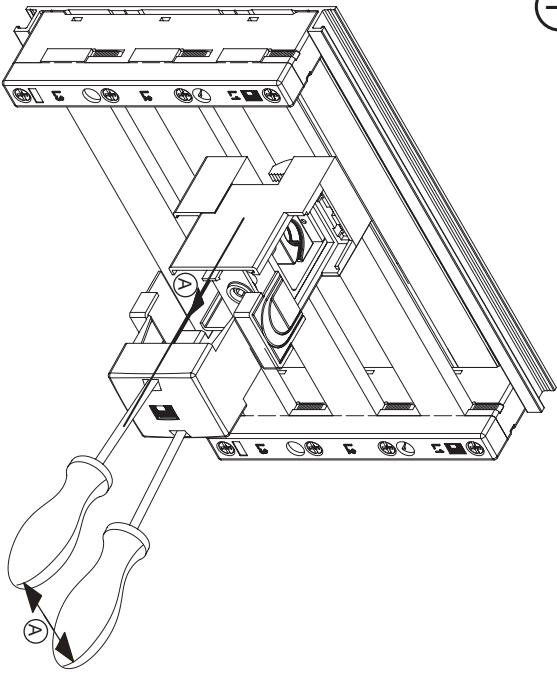
Suitable for use on a circuit capable of delivering not more than 65 kA SCCR symmetrical amperes, 600 Volts maximum.

When protected by K5 Class Fuses.

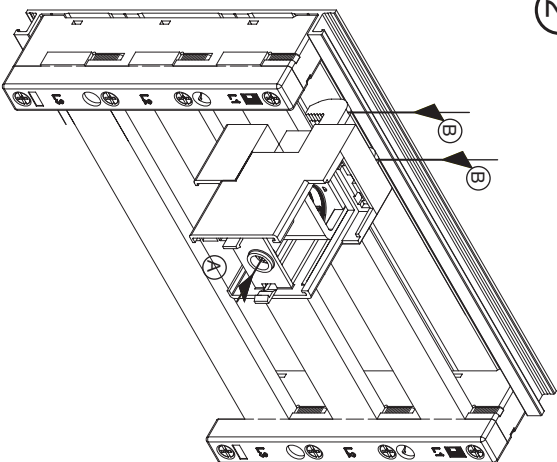
Zchnng.-Nr. / No. of dwg. : A4166902SV
Versandbeutel-Nr. / No. of accessory bag : -

Lieferanten-Nr. / No. of supplier : 6895301

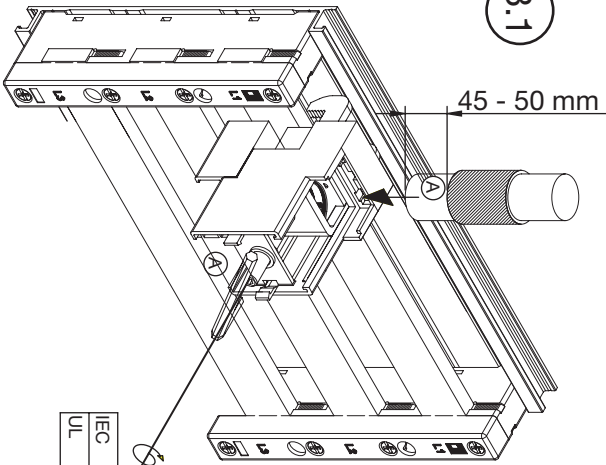
1



2

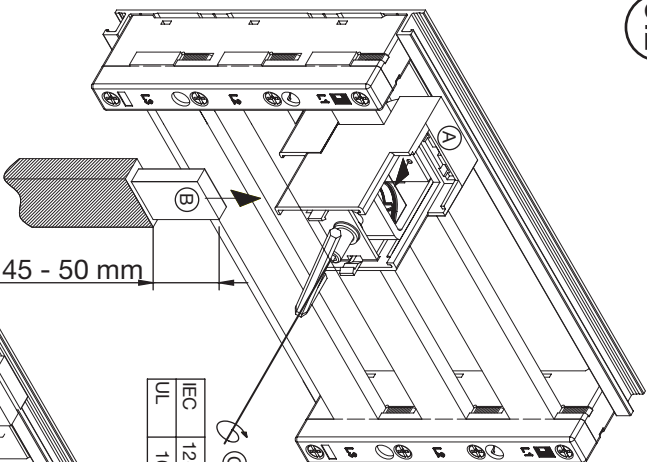


3.1



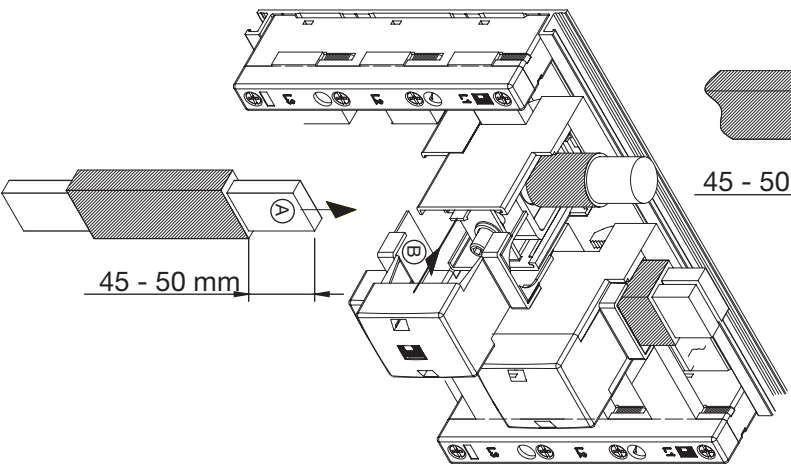
IEC	12-14 Nm
UL	16.5 Nm

3.2



IEC	12-14 Nm
UL	16.5 Nm

4



IEC	max. 2x 32x10x1mm*
UL	1x 32x10x1mm
IEC	1x 32x10x1mm*
UL	1x 32x10x1mm
IEC	min. 1x 15,5x6x0,8mm
UL	1x 15,5x6x0,8mm

max. 300mm²
MCM 600

min. 95mm²
AVS 4/0

