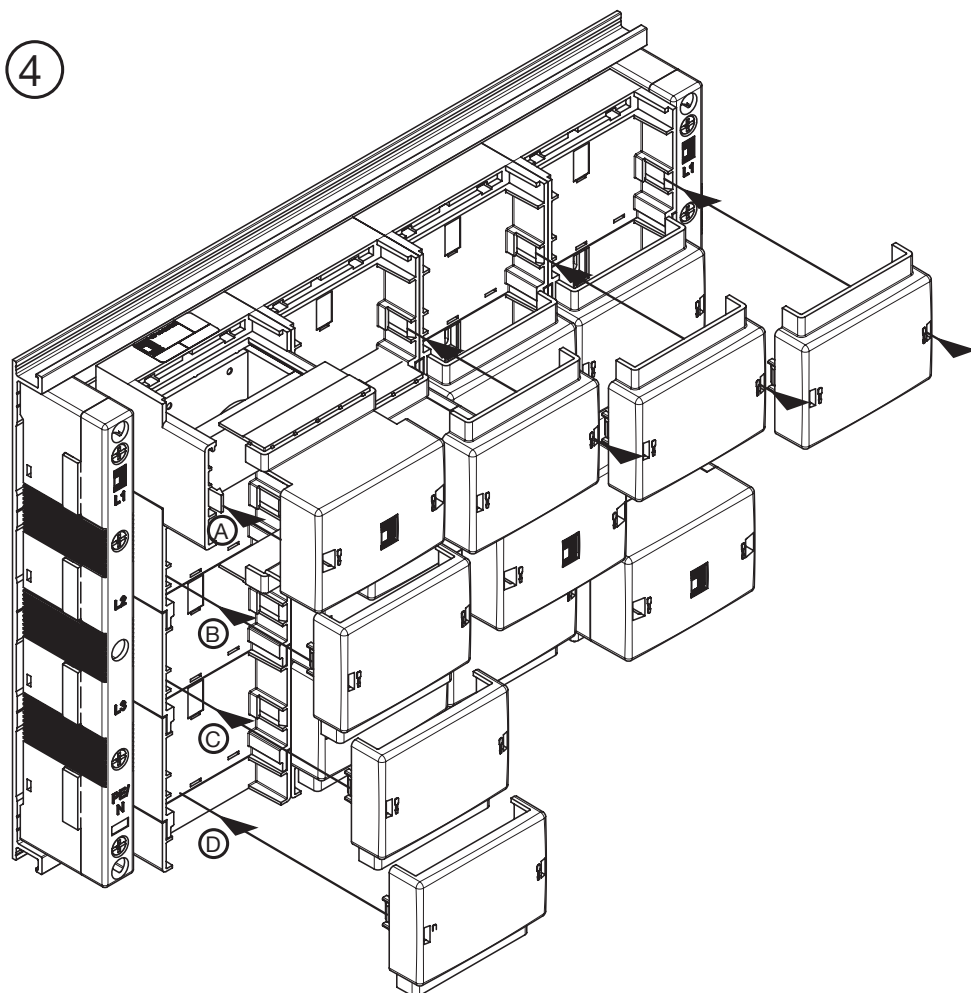


SV

9342.324



CE



1 SV Anschlußadapter 1600A
Ergänzungssatz, 4-polig
60mm Schienenmittenabstand

1 SV Connection adaptor 1600A
Additional kit, 4-pole
60mm busbar centre distance

1 Adaptateur pour raccordements SV 1600A
Kit complémentaire, 4 pôles
60mm d'écartement entre les axes des barres

Suitable for use on a circuit capable of
delivering not more than 65 kA SCCR
symmetrical amperes, 600 Volts maximum.

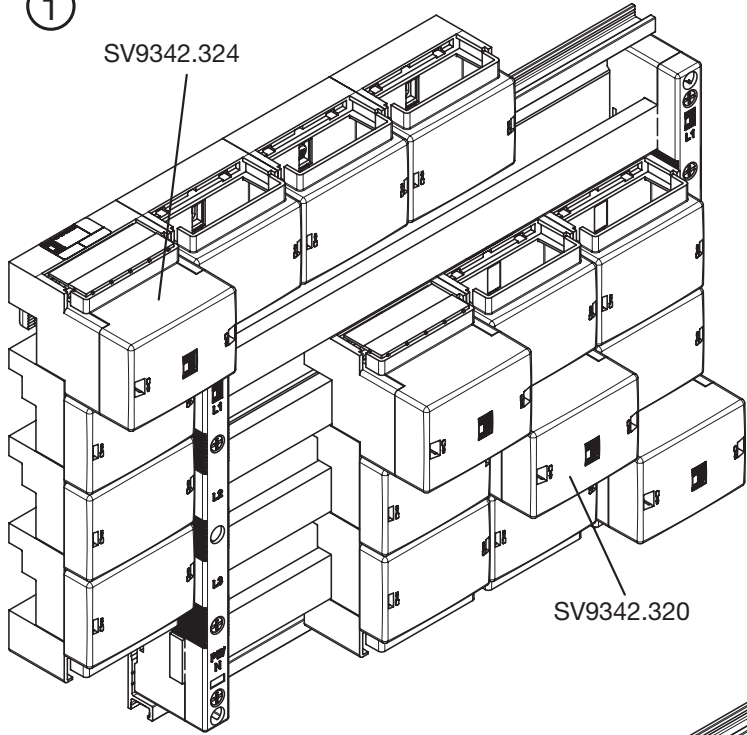
When protected by K5 Class Fuses.

Zchng.-Nr. / No. of dwg.: A3736602SV
Versandbeutel-Nr. / No. of accessory bag: -

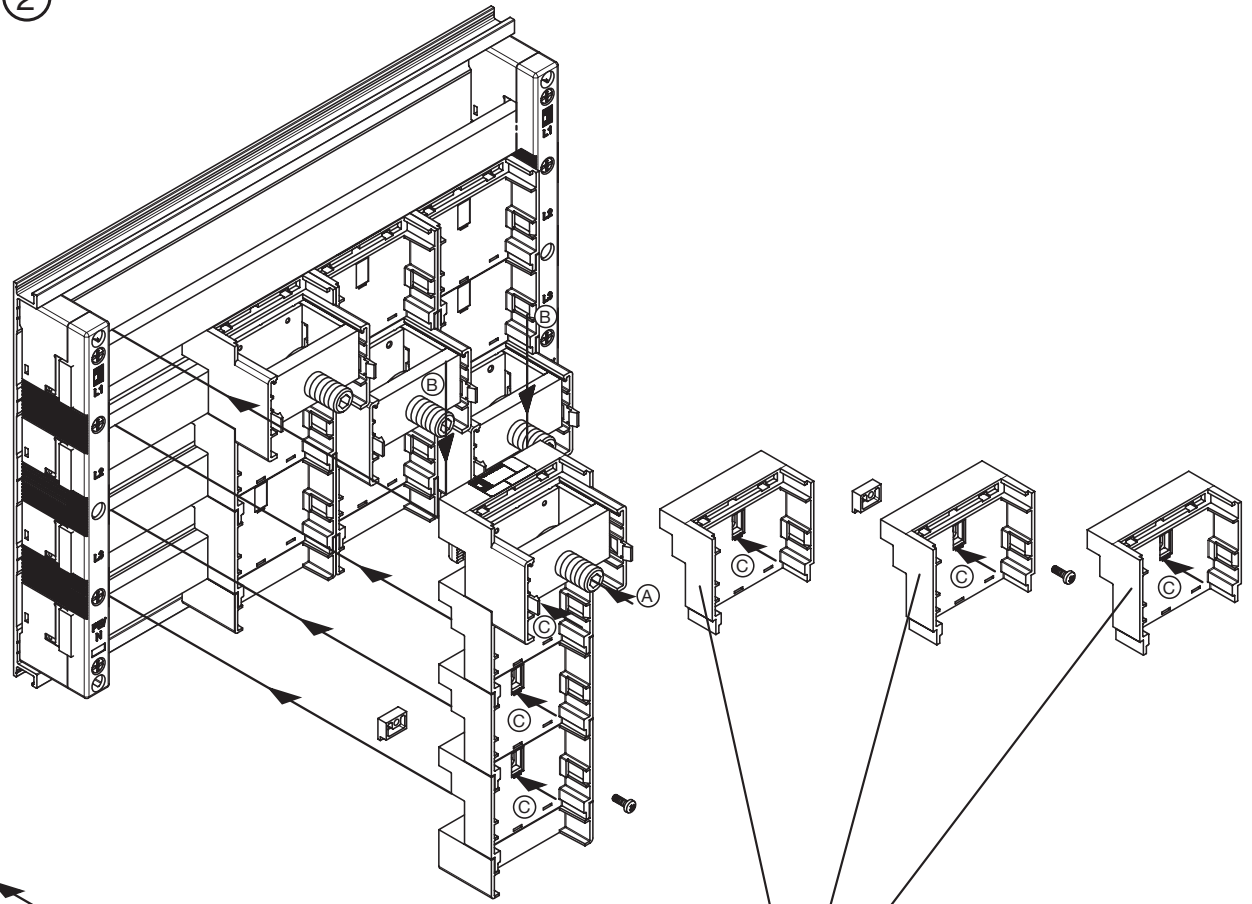
Lieferanten-Nr. / No. of supplier: 6895301

1

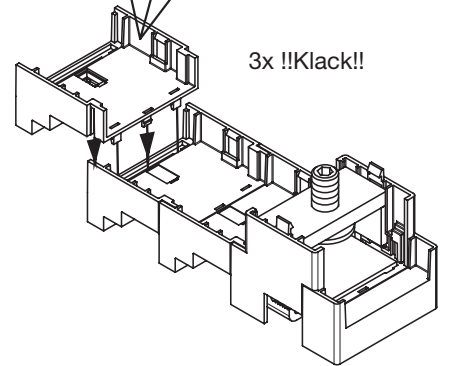
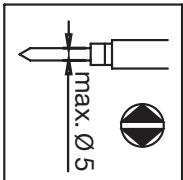
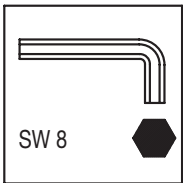
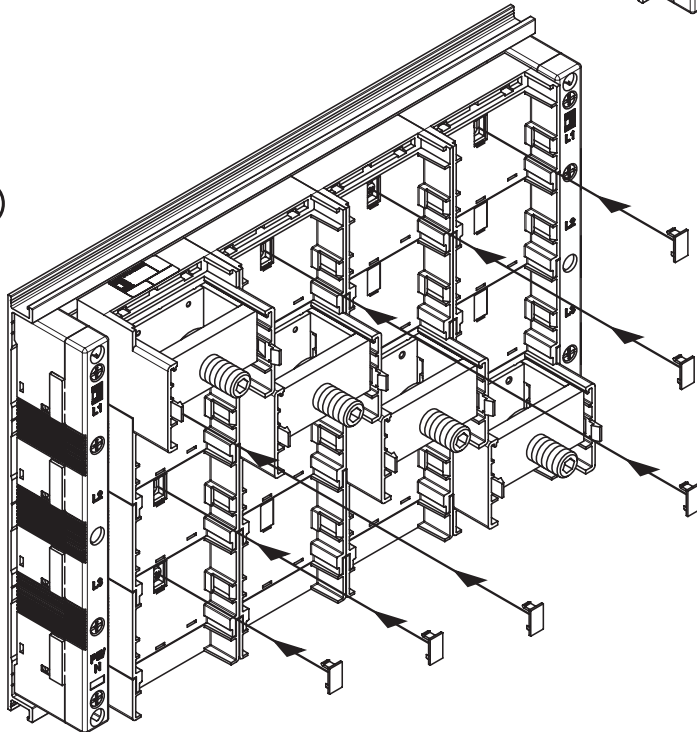
SV9342.324



2



3



3x !!Klack!!